

Specifications

Material

Insulator: PA66, UL 94V-0, Black
 Contact: Phosphor Bronze, $\varnothing=0.46\text{mm}$

Plating

See Ordering Grid

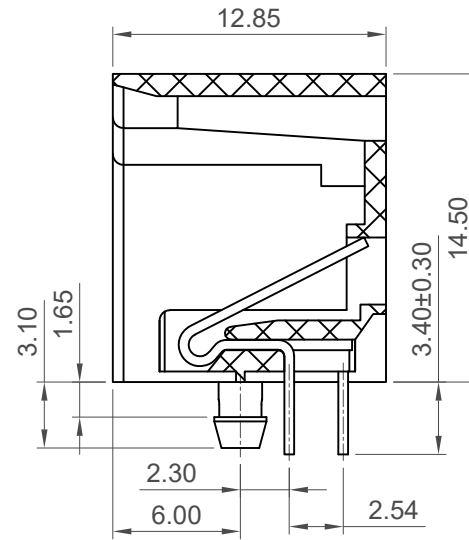
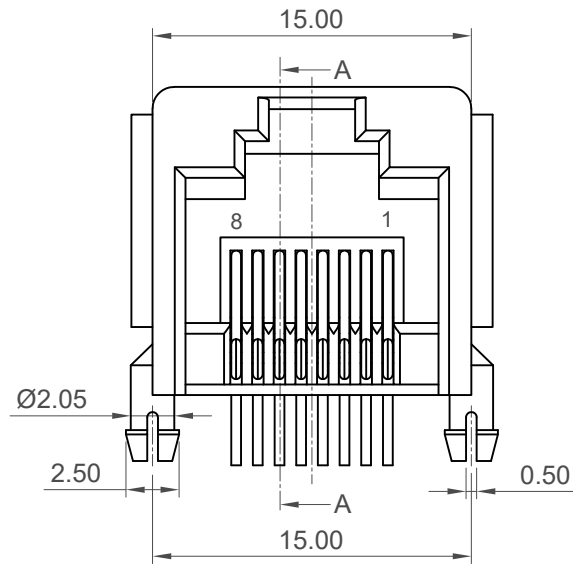
Electrical

Current Rating : 1.5 Amp
 Current Voltage : 125V AC RMS
 Contact Resistance : 20 m Ω max.
 Insulation Resistance: 1000 M Ω min.@500V DC
 Dielectric Withstand Voltage :
 1000VAC RMS 60Hz, 1min.

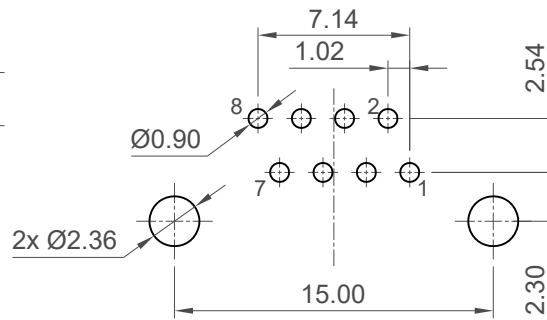
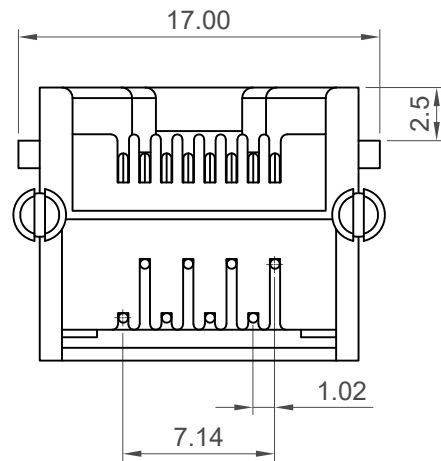
Mechanical & Environmental

Storage Temperature : -40°C to +85°C,
 Relative Humidity <80%
 Operation Temperature : -40°C to +85°C
 Operating Life : 750 Cycles Min.
 Mating/Unmating Force: 30N Max.
 Retention Strength: 50N for 60s \pm 5s
 Mates With Modular Plug Conforming To FCC Part 68, Subpart F

Wave Soldering Temperature: 245°C \pm 5°C, 5s



Section A-A



Recommended PCB Layout
 Tolerance : $\pm 0.05\text{mm}$
 Thickness: 1.60mm

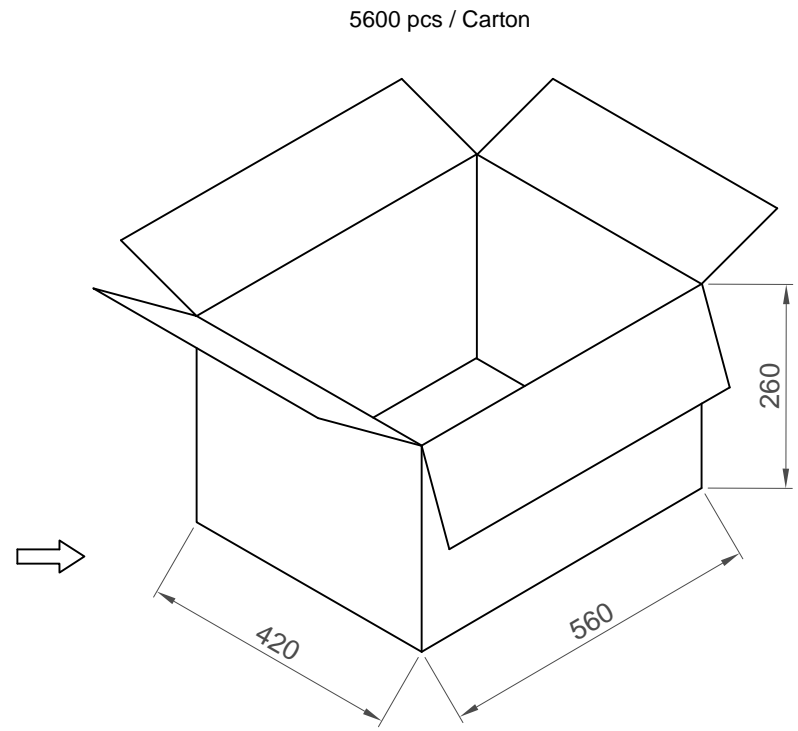
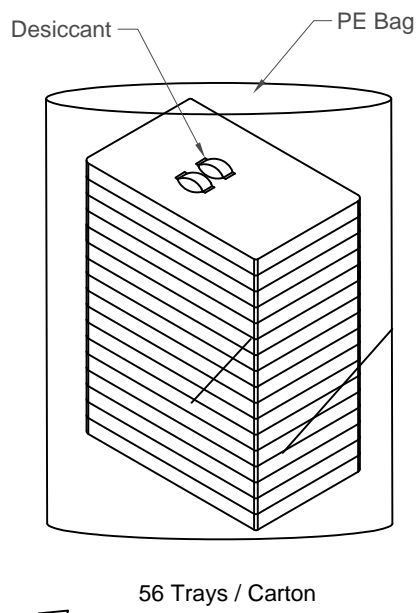
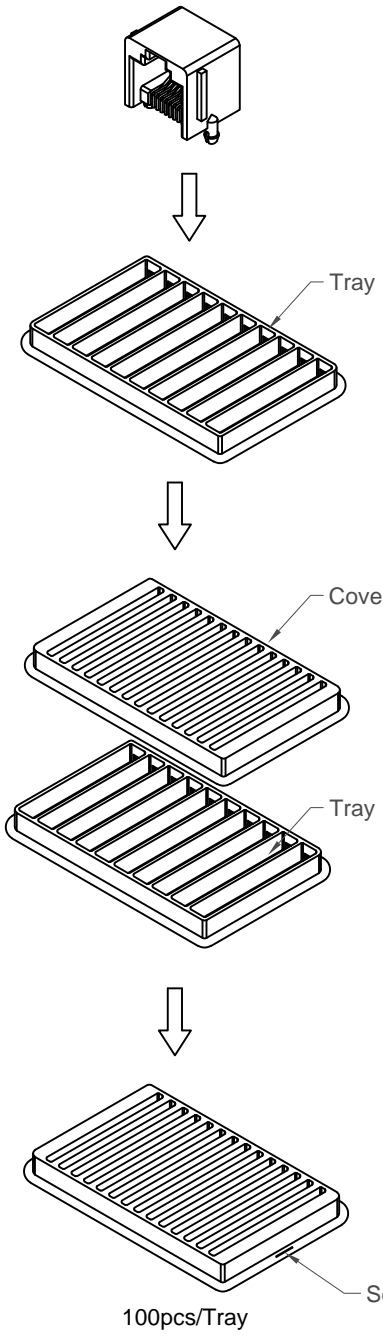
Ordering Grid

MJ3225 — **88** — **0** Request Samples and Quotation
 No. of Positions/
 Positions Loaded
 88 = 8/8
 Contact Plating
 0 = Gold Flash




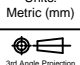

Part Number		Product Description			This drawing is confidential and copyright of Global Connector Technology, Ltd (GCT). This drawing must not be copied or disclosed without written consent. E & OE
MJ3225-88		Modular Jack Connector, 8 Position, Category 3, Right Angle, Through Hole, Standard Profile, Inverted Latch			
Drawing Date		19th March 2021			
By	CC	Tolerances (Except as Noted)	Units:		Not to Scale
Detail	Drawing Release	Length	Metric (mm)		
Revision	A	X.X \pm 0.25	$\pm 0.5^\circ$		
Date	22/03/21	X.XX \pm 0.20		Drawn By CC	Sheet No. 1/1



H
G
F
E
D
C
B
A



Pcs/Tray	Trays/Carton	Total Quantity
100	56	5600 pcs

Part Number		Product Description		 www.gct.co
MJ3225-88		Modular Jack Connector, 8 Position, Category 3, Right Angle, Through Hole, Standard Profile, Inverted Latch		
Drawing Date		19th March 2021		
By	CC	Tolerances (Except as Noted)	Units:	  This drawing is confidential and copyright of Global Connector Technology, Ltd (GCT). This drawing must not be copied or disclosed without written consent. E & OE
Detail	Drawing Release	Length	Metric (mm)	
Revision	A	X.X ± 0.25	± 0.5°	
Date	22/03/21	X.XX ± 0.20		
		X.XXX ± 0.10		
		Not to Scale	Drawn By	Sheet No.
			CC	1/1

1 2 3 4 5 6 7 8

Mouser Electronics

Authorized Distributor

Click to View Pricing, Inventory, Delivery & Lifecycle Information:

[Global Connector Technology \(GCT\):](#)

[MJ3225-88-0](#)