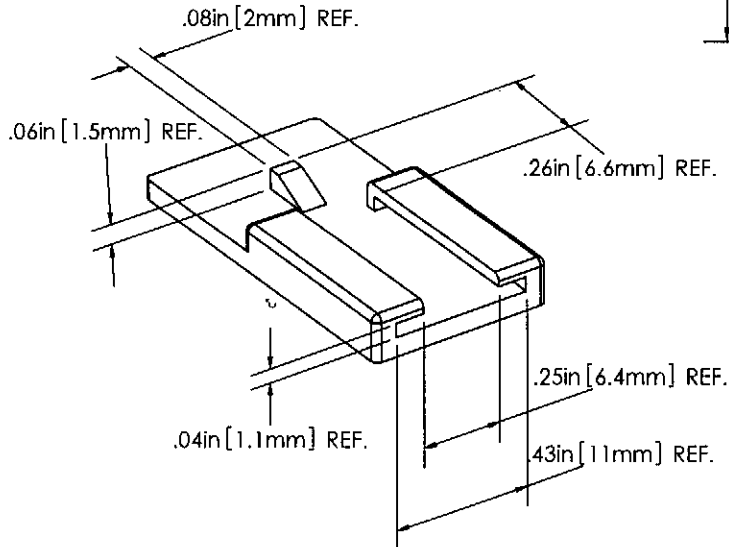


AVERY DENNISON MARKETING SPECIFICATION

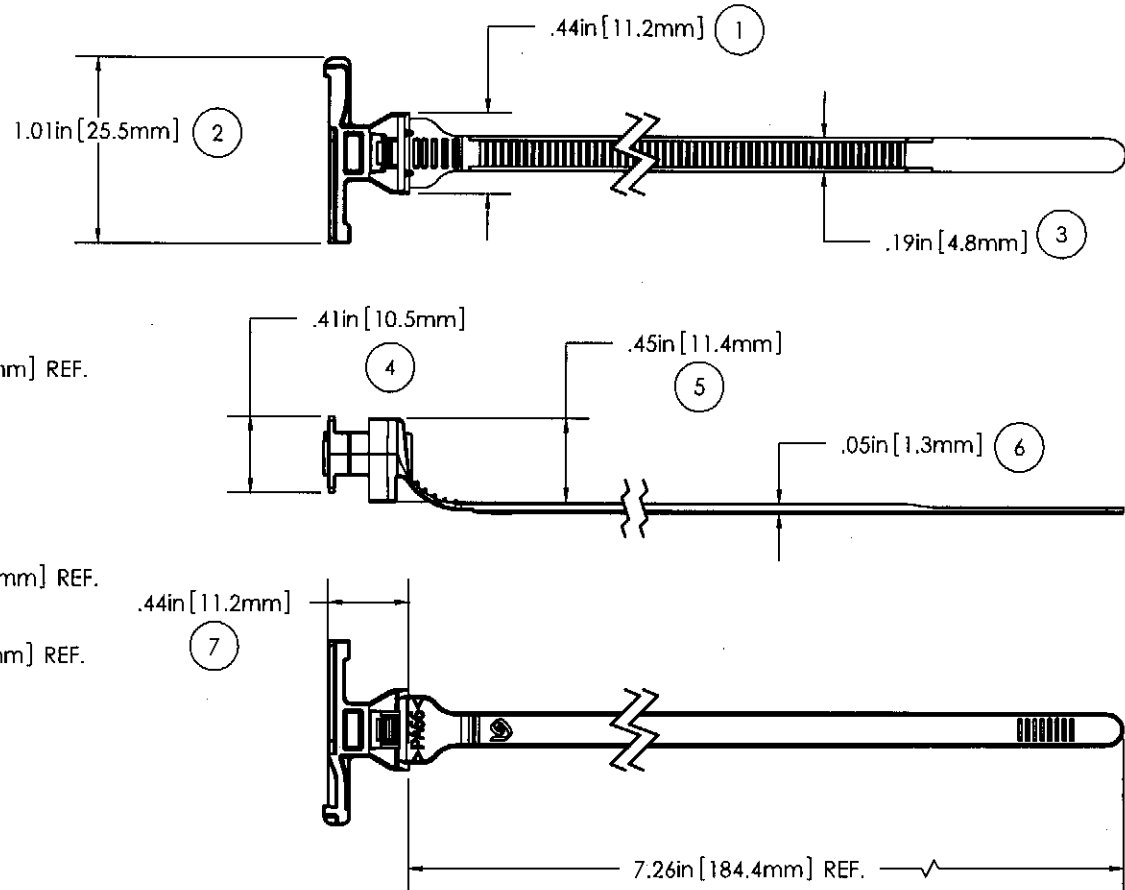
HISTORY

REV.	DATE	DESCRIPTION
A	06.23.09	RELEASE TO PRODUCTION

THE SUBJECT MATTER DISCLOSED HEREIN EMBODIES PROPRIETARY INFORMATION WHICH IS THE CONFIDENTIAL PROPERTY OF THE AVERY DENNISON CO. NONE OF WHICH SHALL BE COPIED, REPRODUCED, DISCLOSED TO OTHERS, PUBLISHED OR USED IN WHOLE OR IN PART, FOR ANY PURPOSE OTHER THAN THAT FOR WHICH IT IS BEING MADE AVAILABLE WITHOUT THE EXPRESS ADVANCE WRITTEN PERMISSION OF A DULY AUTHORIZED AGENT OF THE COMPANY. THIS DOCUMENT IS THE PROPERTY OF THE AVERY DENNISON CO. AND IS TO BE RETURNED TO THE COMPANY ON DEMAND.



**DETAIL A:
MOUNTING SLOT**




MOUNTING:	SEE DETAIL A
TENSILE STRENGTH:	50 LBF / 222 N MIN.
TEMPERATURE RANGE:	-40°F (-40°C) TO 239°F (115°C) CONTINUOUS AND 257°F (125°C) AT MAXIMUM EXPOSURE
WEIGHT:	2.00 GRAMS
BUNDLE DIAMETER:	Ø 1.6MM TO Ø 44.5MM
TOOL:	12001 - HAND INSTALLATION TOOL 12500 - PNUM. INSTALLATION TOOL
TOOL TENSION SETTING:	6 - 8
PACKAGING:	500/BAG, 10 BAGS/MASTER

APPROVALS:	ENG. APPR. <i>David A. [Signature]</i> 7/15/09
	Q.A. APPR. <i>[Signature]</i> 7-15-09

SPECIFIED TOLERANCES ARE:	
.XX ± .03 IN.	.X ± .7 MM
.XXX ± .010 IN.	.XX ± .25 MM

MATERIAL	NYLON 6/6 IMPACT MODIFIED, HEAT STABILIZED
COLOR	BLACK

 AVERY DENNISON <small>FASTENER DIVISION FITCHBURG, MA 01420 U.S.A. TEL. 1-800-225-5913 FAX. 978-353-8157</small>	DESCRIPTION	
	ADFM CONNECTOR TIE	
STOCK NO.	20124	REV.
		A

Mouser Electronics

Authorized Distributor

Click to View Pricing, Inventory, Delivery & Lifecycle Information:

[Avery Dennison:](#)

[20124-0](#)