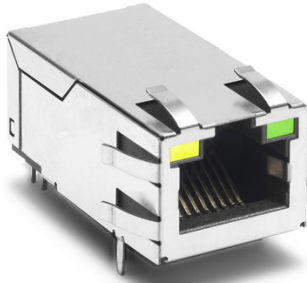


PulseJack™ Gigabit

Description:

100/1000 Base-T single port (1x1) RJ45 integrated connector module (ICM), designed to support Network Interface Cards (NIC), LAN-on-Motherboard (LOM), and PC applications. Available in TAB-UP configuration and with or without LEDs.



Features and Benefits:

- Ⓢ Compliant with IEEE 802.3 standard
- Ⓢ 350μH minimum OCL with 8mA bias current
- Ⓢ Suitable for CAT 5 and 6 Fast Ethernet cable or better UTP
- Ⓢ High performance for maximum EMI suppression
- Ⓢ RoHS peak wave solder temperature rating 260°C

Electrical Specifications @ 25°C - Operating Temperature 0°C to +70°C

| RoHS Part Number | Tab Orientation | LEDs L/R | Insertion Loss TX/RX (dB) | Return Loss (dB TYP) 100Ω (± 15 Ω) | | | | | Crosstalk (dB TYP) | | | Common Mode Rejection (dB TYP) | | Hipot @ 60Hz 1 MIN |
|------------------|-----------------|----------|---------------------------|---------------------------------------|----------|--------|-----------|------------|--------------------|-----------|------------|--------------------------------|-------------|--------------------|
| | | | | 1-100 MHz | 1-10 MHz | 30 MHz | 60-80 MHz | 80-100 MHz | 1-10 MHz | 30-60 MHz | 60-100 MHz | 1-125 MHz | 125-500 MHz | |
| JKO-0117NL | UP | NONE | -1.0 | -20 | -16 | -12 | -10 | -40 | -35 | -30 | -30 | -20 | 2250 VDC | |
| JKO-0136NL | UP | Y-G/G | -1.0 | -20 | -16 | -12 | -10 | -40 | -35 | -30 | -30 | -20 | 2250VDC | |
| JKO-0187NL | UP | G/G | -1.0 | -20 | -16 | -12 | -10 | -40 | -35 | -30 | -30 | -20 | 2250VDC | |
| JKO-0193NL | UP | G/Y | -1.0 | -20 | -16 | -12 | -10 | -40 | -35 | -30 | -30 | -20 | 2250VDC | |

Notes: 1. LEDs Left/Right: **G** = green; **Y** = yellow; **Y-G** = Bicolor

RJ45 Durability Testing Rating

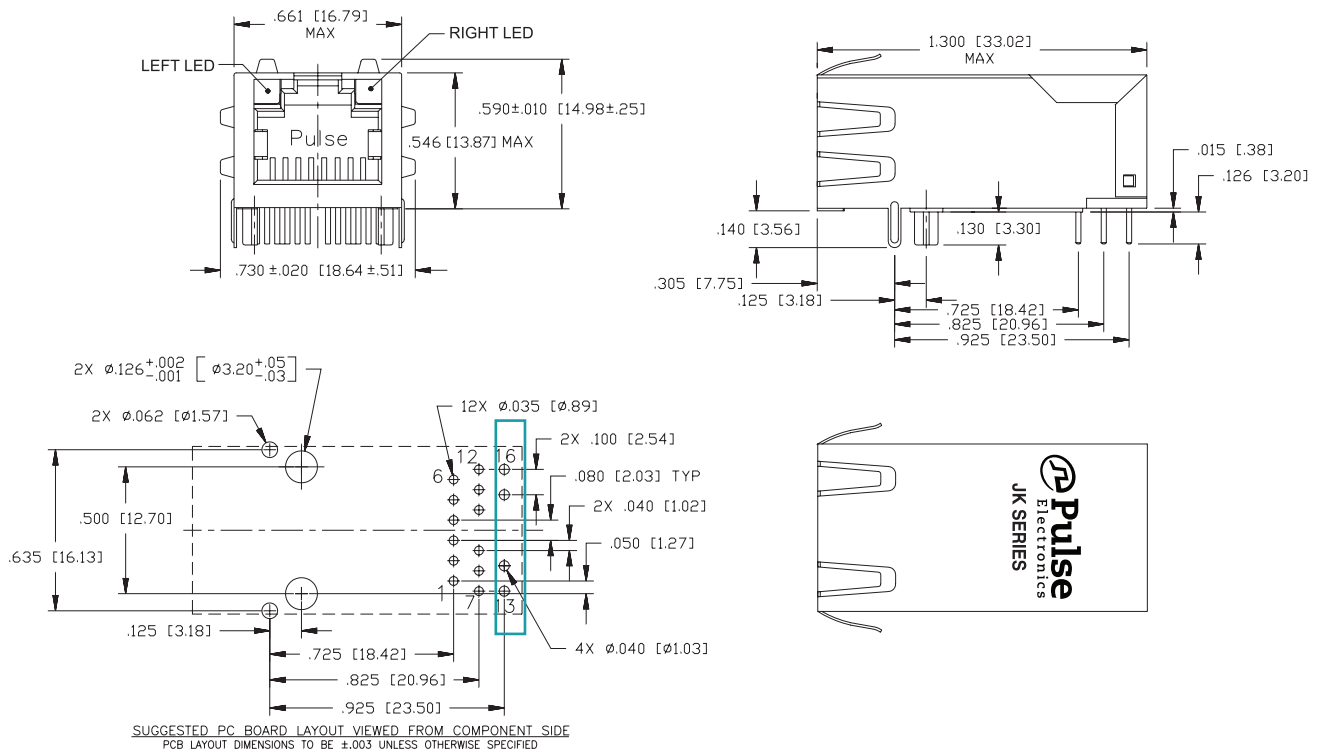
| Part Number | Mating Force (MAX) | Unmating Force (MAX) | Durability | Plug to Jack Retention (MIN) |
|-------------|--------------------|----------------------|----------------|------------------------------|
| JK Series | 5 lbs./2.268 kgs. | 5 lbs./2.268 kgs. | 750 Insertions | 20 lbs./9.072 kgs. |

RJ45 Material Specification

| Part Number | Shield | | Contact | | | Housing | | |
|-------------|----------|---------------------------------------|-----------------|--|------------------|---------------|---------------|-----|
| | Material | Finish | Material | Plating Area | Solder Area | Material | Specification | MSL |
| JK Series | Brass | 30-50μ inches thick Nickel over brass | Phosphor Bronze | 30μ inches gold over 50μ inches nickel | Tin matte finish | Thermoplastic | UL 94 V-0 | 1 |

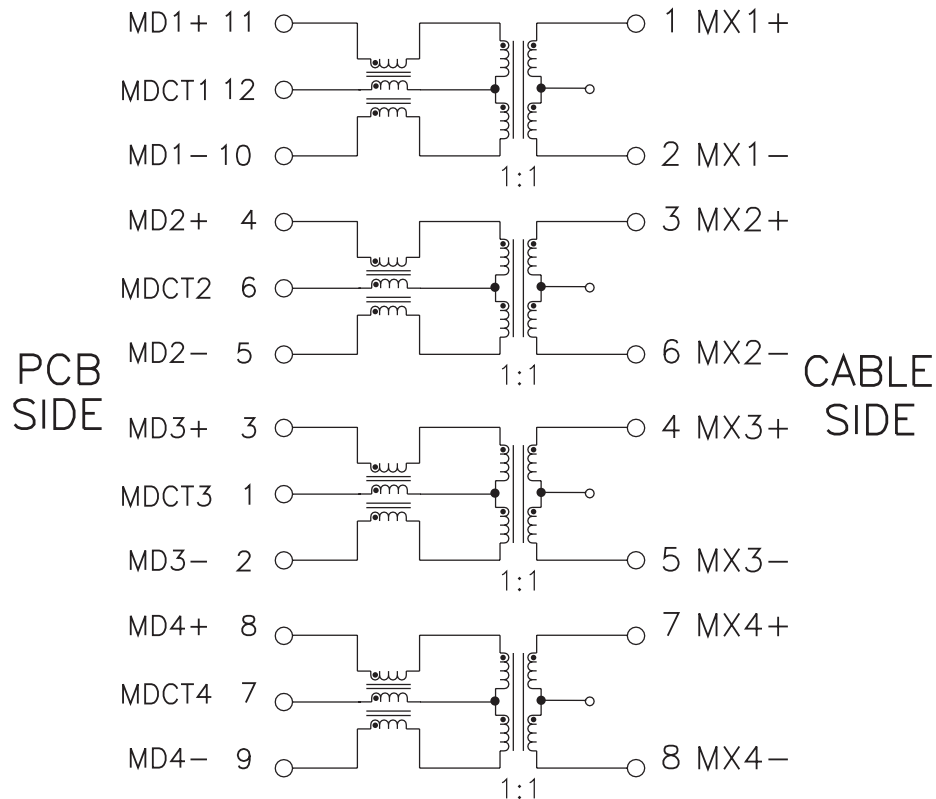
Notes: 1. Connector dimensions comply with FCC dimension requirements. 2. MSL = Moisture Sensitivity Level class limits = 1 to 5, highest (1) to lowest (5)

Mechanicals



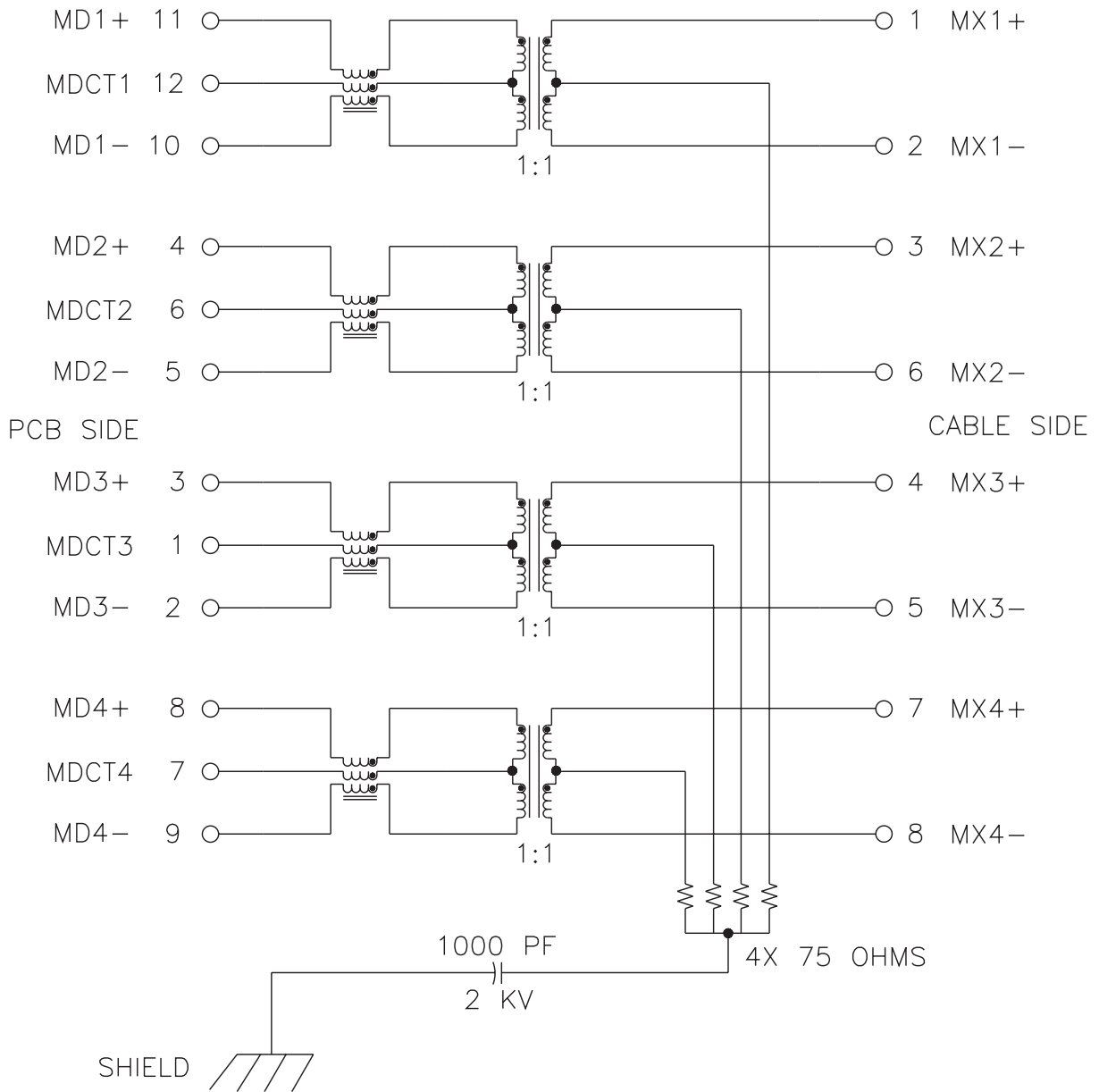
Schematic

JKO-0117NL



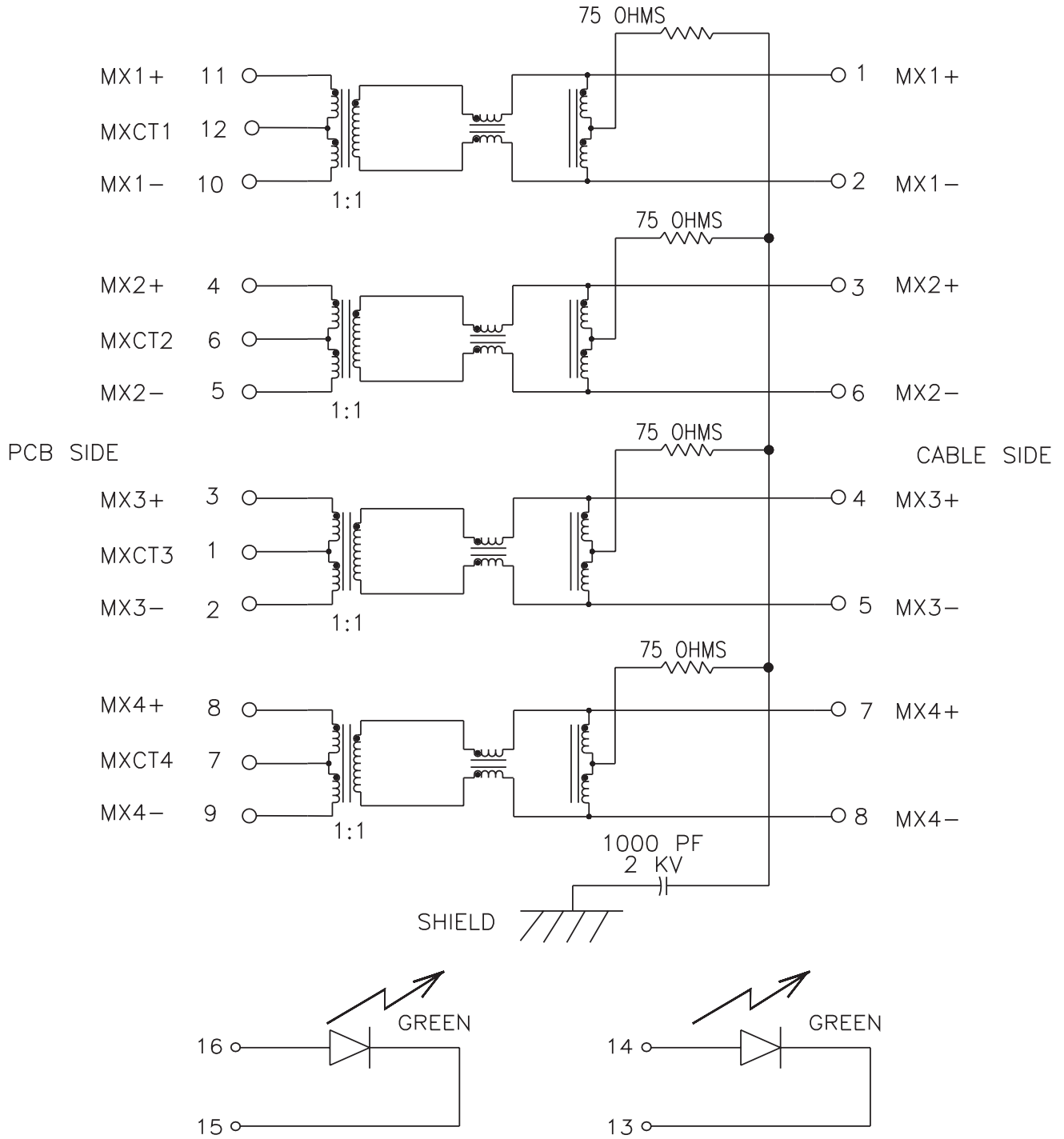
Schematic (continued)

JK0-0136NL



Schematic (continued)

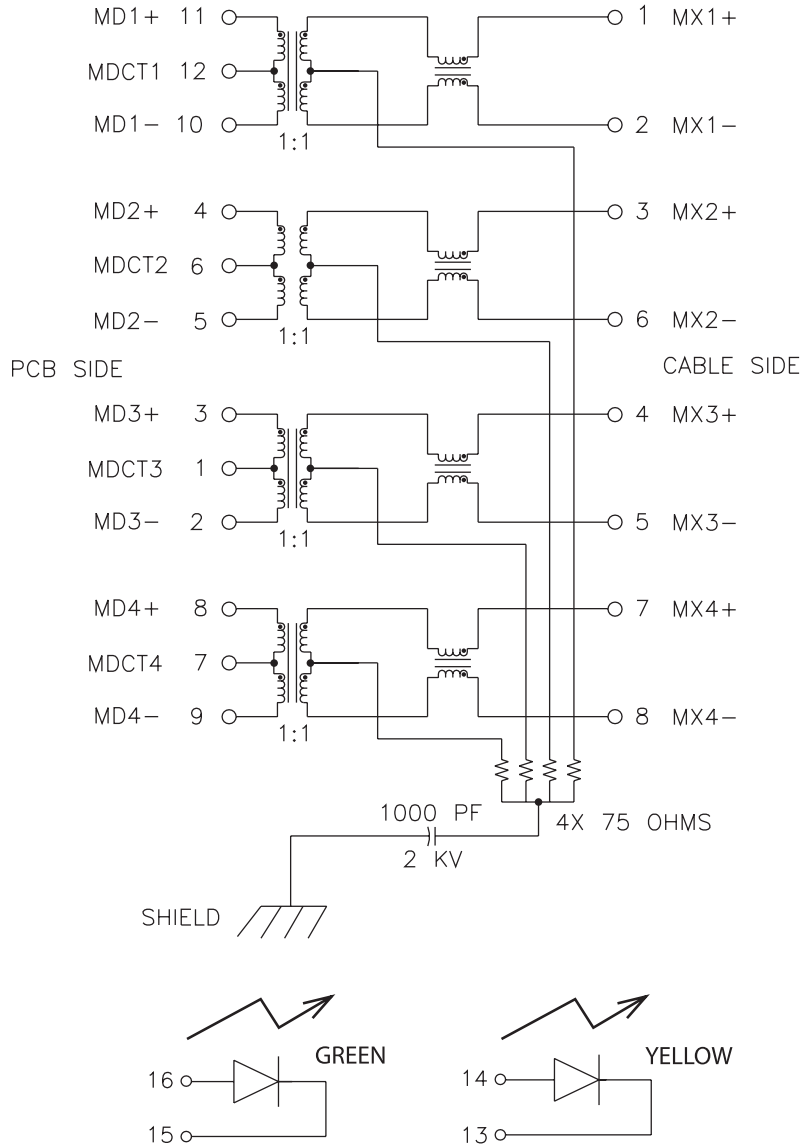
JK0-0187NL



PulseJack™ Gigabit

Schematic (continued)

JK0-0193NL



For More Information:

Americas - prodinfonetworkamericas@pulseelectronics.com | Europe - comms-Apps-Europe@pulseelectronics.com | Asia - prodinfonetworkapac@pulseelectronics.com

Performance warranty of products offered on this data sheet is limited to the parameters specified. Data is subject to change without notice. Other brand and product names mentioned herein may be trademarks or registered trademarks of their respective owners. © Copyright, 2019. Pulse Electronics, Inc. All rights reserved.