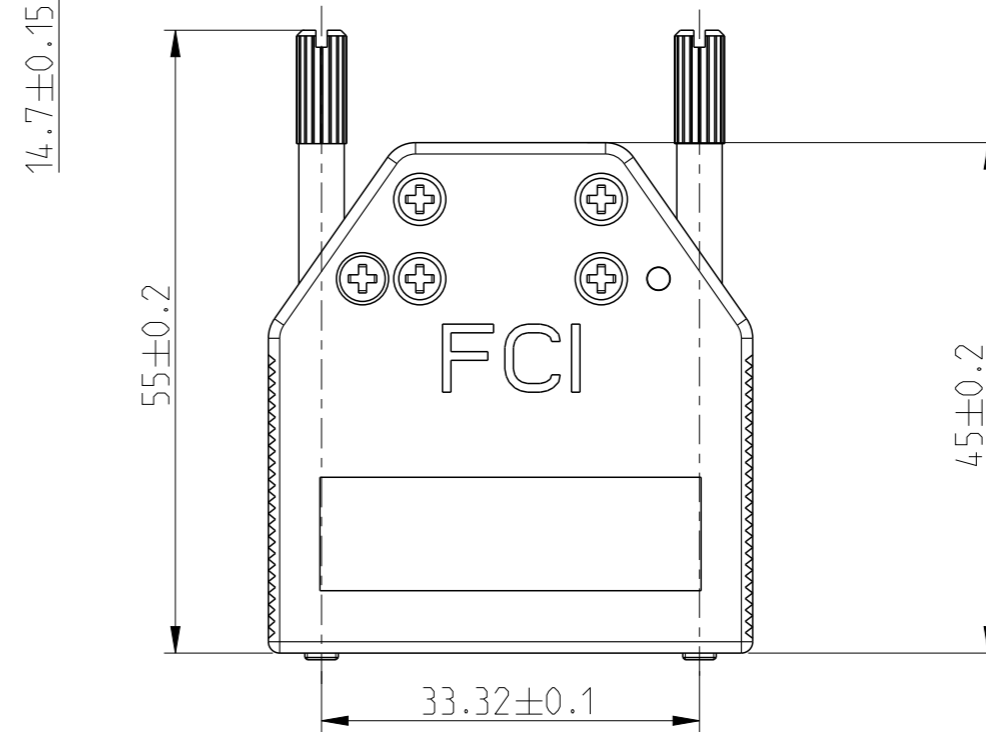
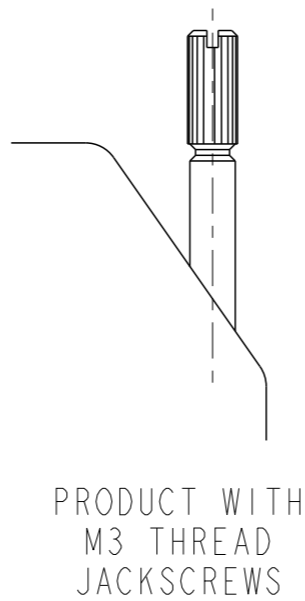
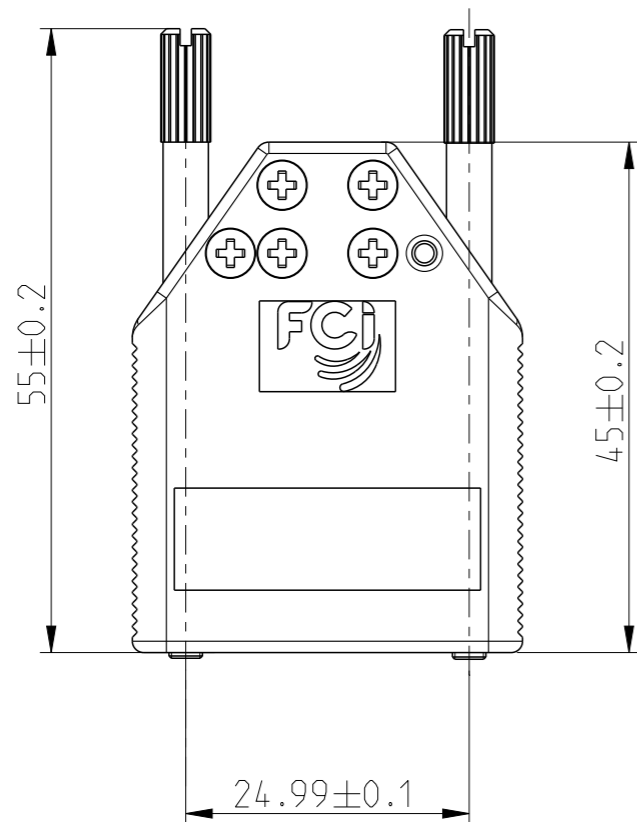
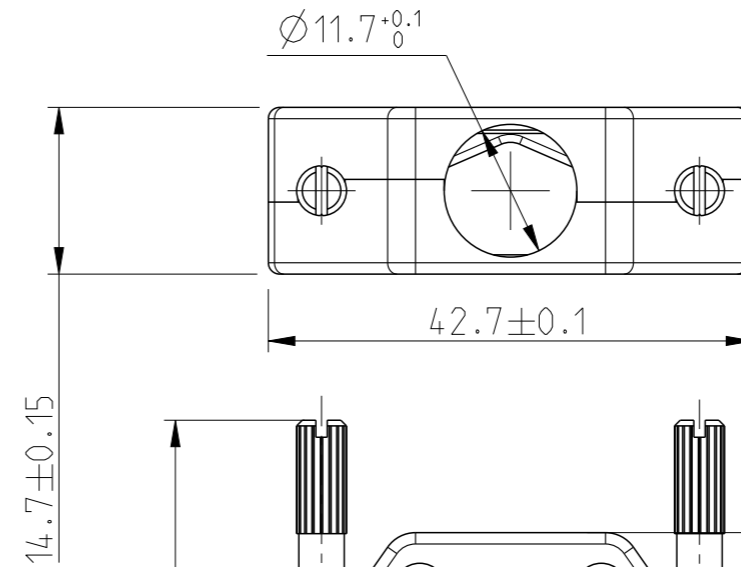
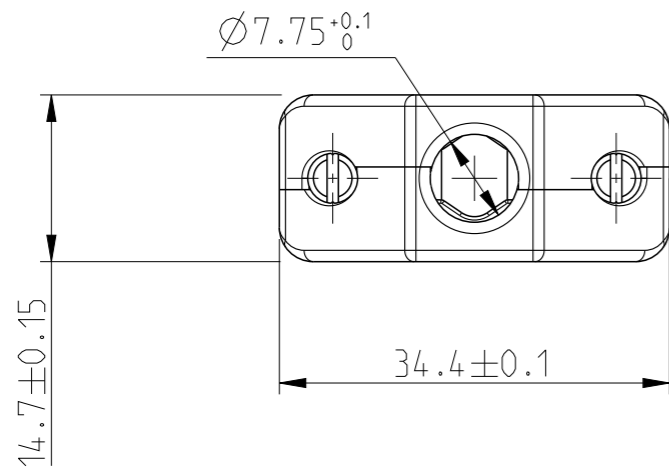


SIZE	Part Number	Jack Screw Thread	Packing
09	8655MH0901LF	UNC 4-40	bulk : Qty 80
	8655MH0911LF		individual set 50 sets/carton
	8655MH0902LF	M3	bulk : Qty 80
	8655MH0912LF		individual set 50 sets/carton

SIZE	Part Number	Jack Screw Thread	Packing
15	8655MH1501LF	UNC 4-40	bulk : Qty 80
	8655MH1511LF		individual set 50 sets/carton
	8655MH1502LF	M3	bulk : Qty 80
	8655MH1512LF		individual set 50 sets/carton



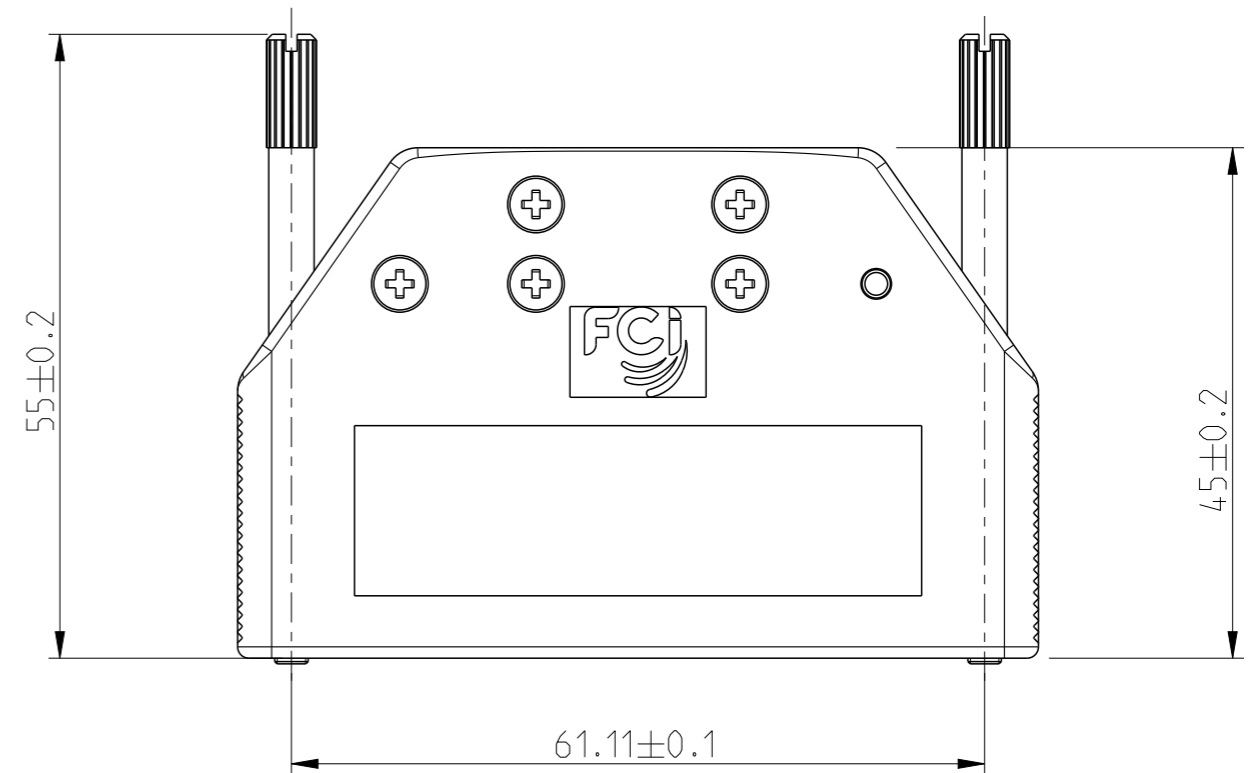
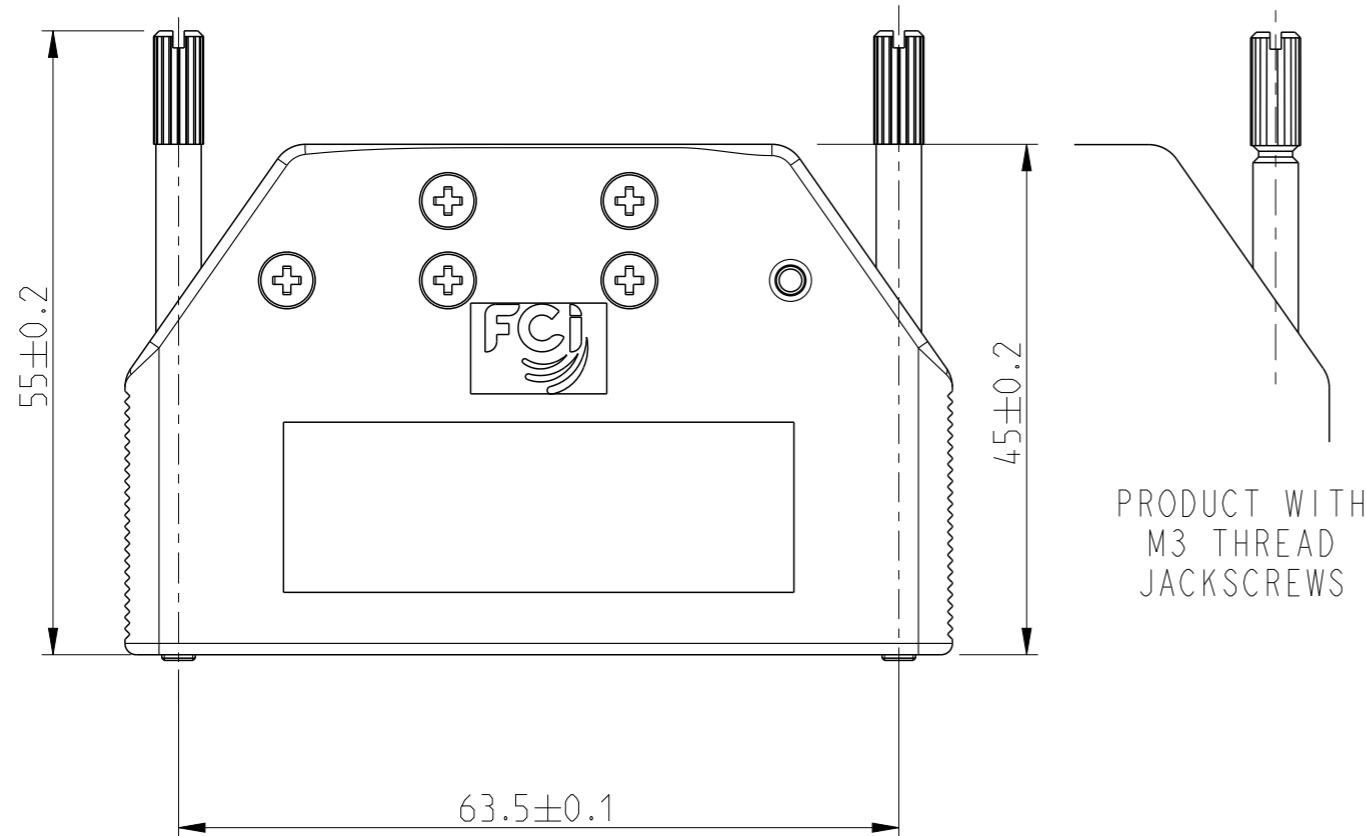
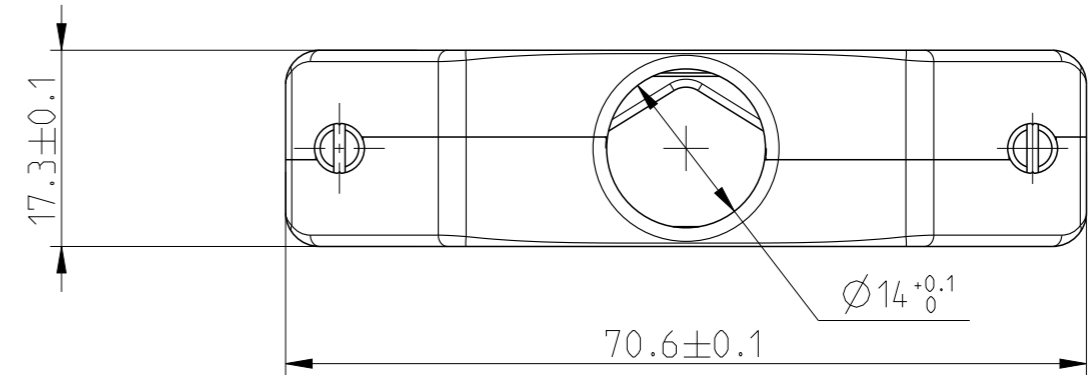
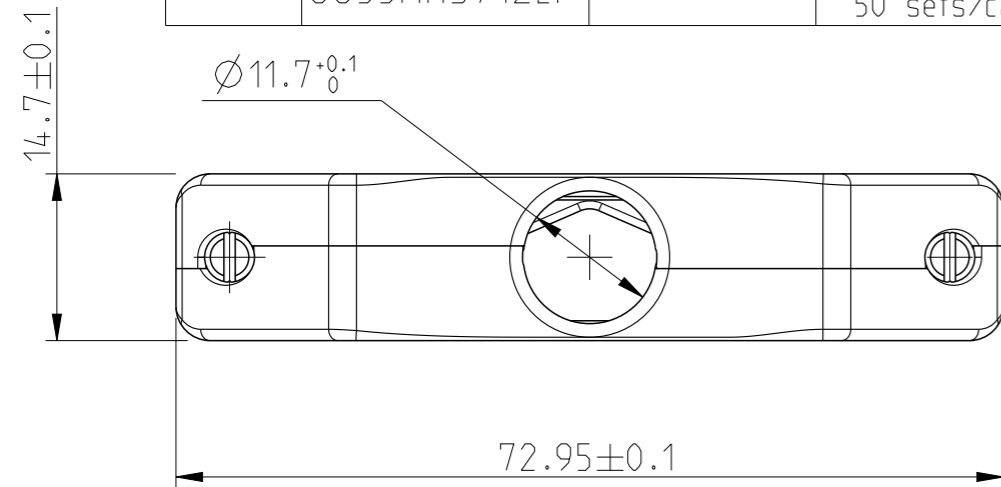
spec ref	dr	A Parrenin	2009/05/20	projection	mm	size	A3	scale	3:2
tolerance std	eng	J Dalibard	2015/09/10			ecn no	ELX-B-20414-1	rel level	Released
ISO 406 ISO 1101	chr	J Dalibard	2015/09/10						
surface	appr	Aymeric Soudy	2015/09/11			dwg no	C-8655-1685C	rev	D
ISO 1302	linear	0.X	±/	www.fci.com		cat. no.	-	Product - Customer Drw	sheet 2 of 4
	angular	0°	±/°	FCj		STRAIGHT METAL HOODS WITH 2 METAL CLAMPS			



Copyright FCI.

SIZE	Part Number	Jack Screw Thread	Packing
37	8655MH3701LF	UNC 4-40	bulk : Qty 40
	8655MH3711LF		individual set 50 sets/carton
	8655MH3702LF	M3	bulk : Qty 40
	8655MH3712LF		individual set 50 sets/carton

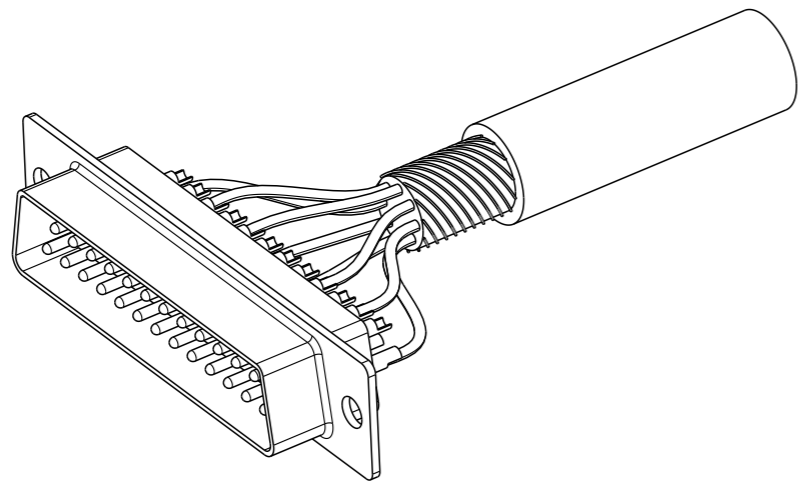
SIZE	Part Number	Jack Screw Thread	Packing
50	8655MH5001LF	UNC 4-40	bulk : Qty 40
	8655MH5011LF		individual set 50 sets/carton
	8655MH5002LF	M3	bulk : Qty 40
	8655MH5012LF		individual set 50 sets/carton



spec ref	dr	A Parrenin	2009/05/20	projection	mm	size	A3	scale	3:2
tolerance std	eng	J Dalibard	2015/09/10			ecn no	ELX-B-20414-1	rel level	Released
ISO 406 ISO 1101	chr	J Dalibard	2015/09/10						
surface	appr	Aymeric Soudy	2015/09/11			rel level	Released		rev
ISO 1302	linear	0.X	±/	FCI		dwg no	C-8655-1685C		D
		0.XX	±/	www.fci.com		cat. no.	-		Product - Customer Drw
		0.XXX	±/	STRAIGHT METAL HOODS WITH 2 METAL CLAMPS		sheet 3 of 4			
	angular	0°	±/°	PDS: Rev :D		STATUS:Released		Printed: Sep 11, 2015	

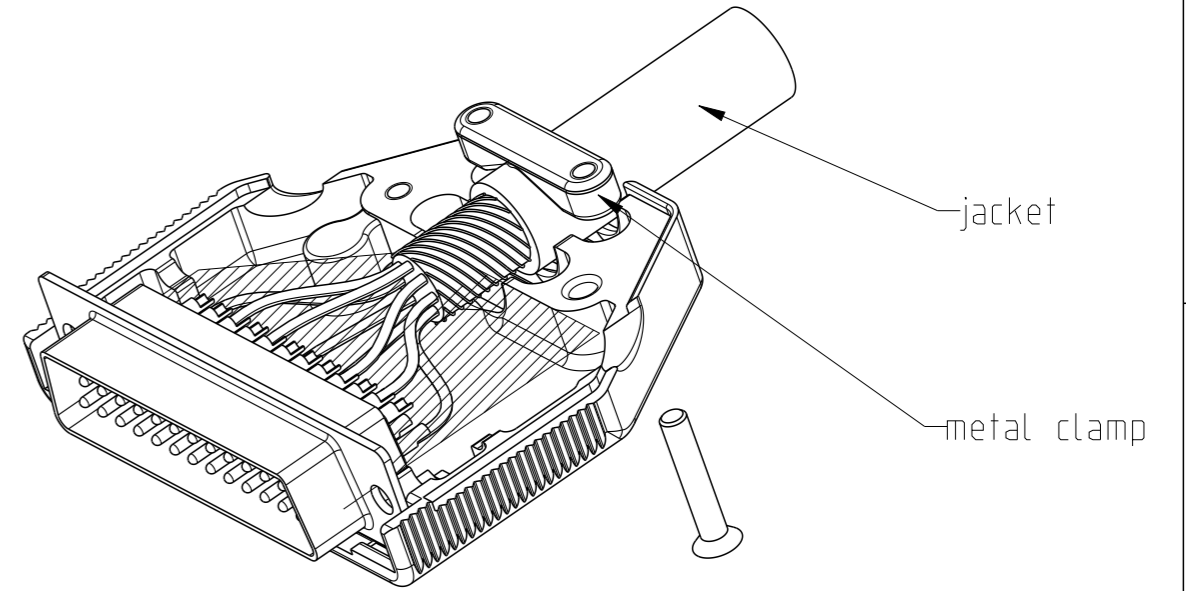
CABLING INSTRUCTIONS

1- Strip the cable and solder or crimp the wires



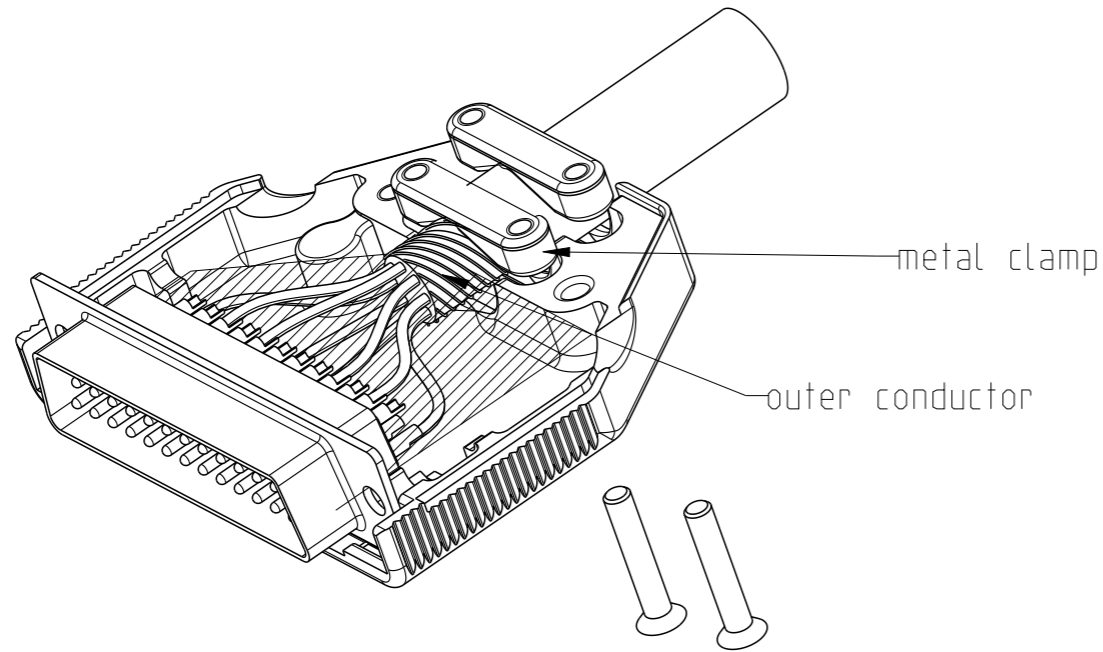
SCALE 3:2

2-Put the connector into a half hood and tighten the jacket with a metal clamp



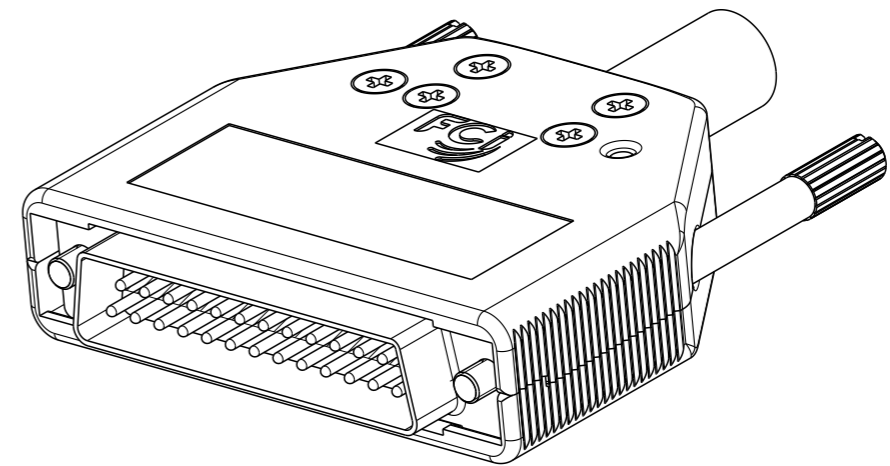
SCALE 3:2

3-To get the electrical continuity between the cable outer conductor and the hood tighten the outer conductor with the other metal clamp as shown



SCALE 3:2

4-Mount the jackscrews, the other half hood and tighten with 2 screws



Copyright FCI.

spec ref		dr	A Parrenin	2009/05/20	projection 	mm ←→	size	A3	scale	1:1
tolerance std ISO 406 ISO 1101		eng	J Dalibard	2015/09/10			ecn no	ELX-B-20414-1		
TOLERANCES UNLESS OTHERWISE SPECIFIED		chr	J Dalibard	2015/09/10	product family	rel level	Released			
		appr	Aymeric Soudy	2015/09/11						
surface	✓	linear	0.X	±/	 title STRAIGHT METAL HOODS WITH 2 METAL CLAMPS www.fci.com	dwg no C-8655-1685C	rev D	Product - Customer Drw		
		angular	0°	±/°				cat. no.	sheet 4 of 4	
ISO 1302										

Mouser Electronics

Authorized Distributor

Click to View Pricing, Inventory, Delivery & Lifecycle Information:

[FCI / Amphenol:](#)

[8655MH2501LF](#) [8655MH0902BLF](#) [8655MH0902LF](#) [8655MH1502LF](#) [8655MH2502BLF](#) [8655MH2502LF](#)
[8655MH3702LF](#) [8655-3151](#) [8655MH0901LF](#) [8655MH0911LF](#) [8655MH1501LF](#) [8655MH1511LF](#) [8655MH2511LF](#)
[8655MH3701LF](#) [8655MH3711LF](#) [8655MH5001LF](#) [8655MH5011LF](#) [86553151](#)