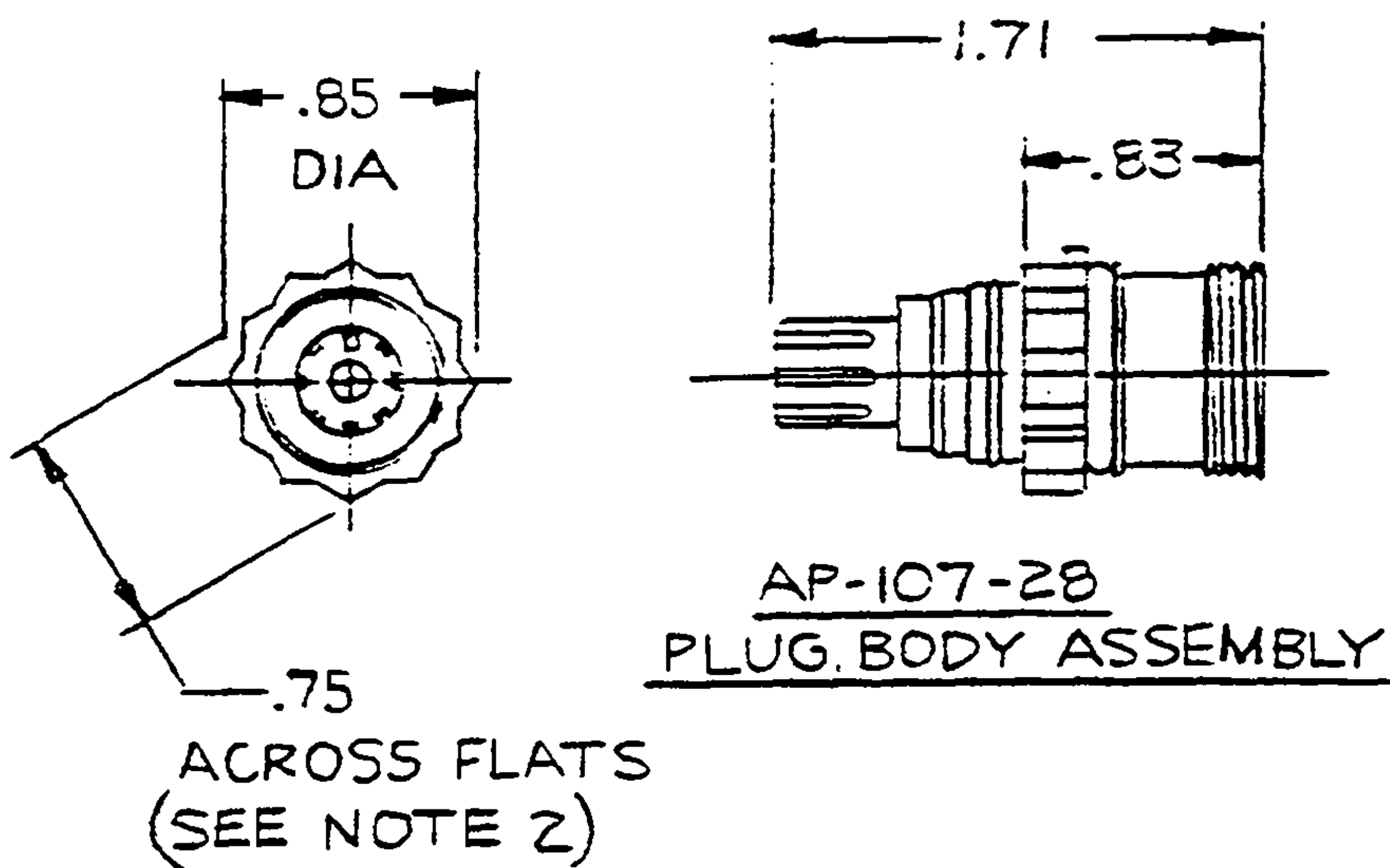
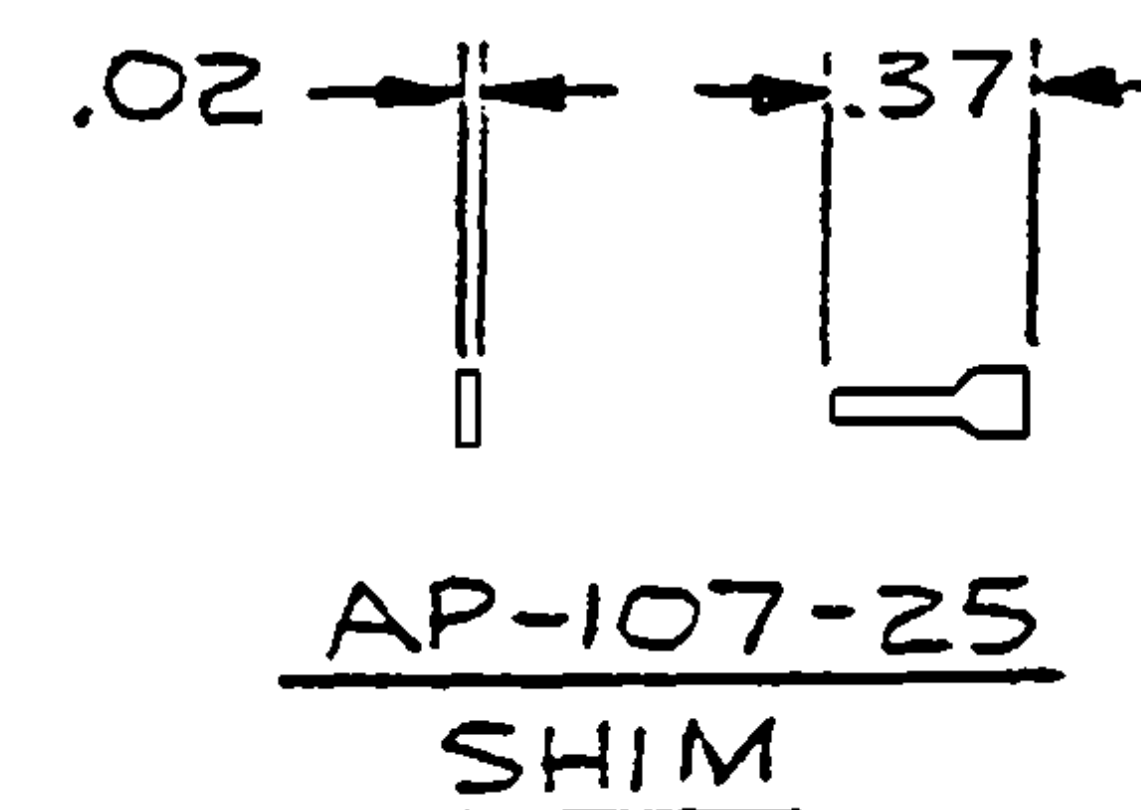
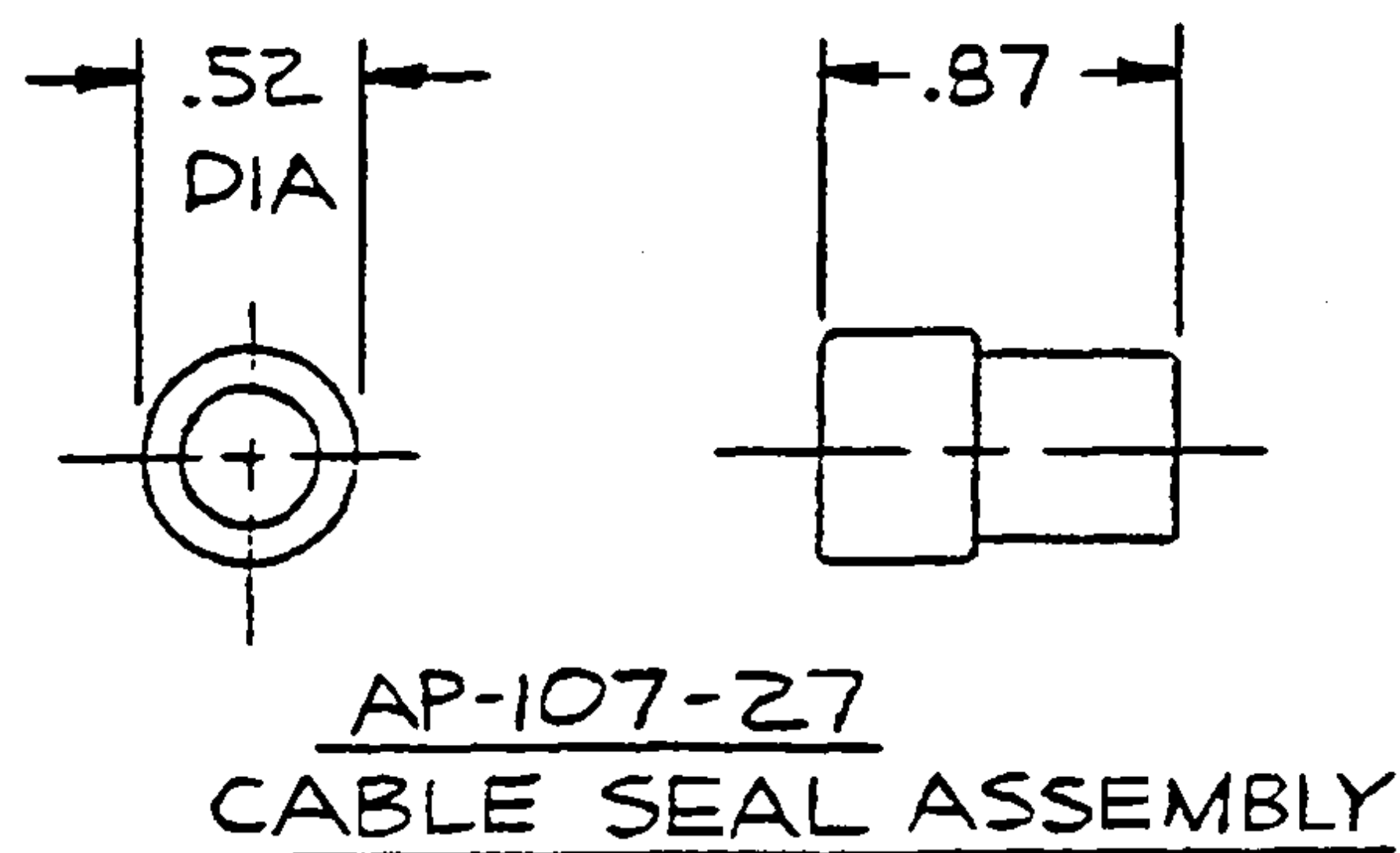
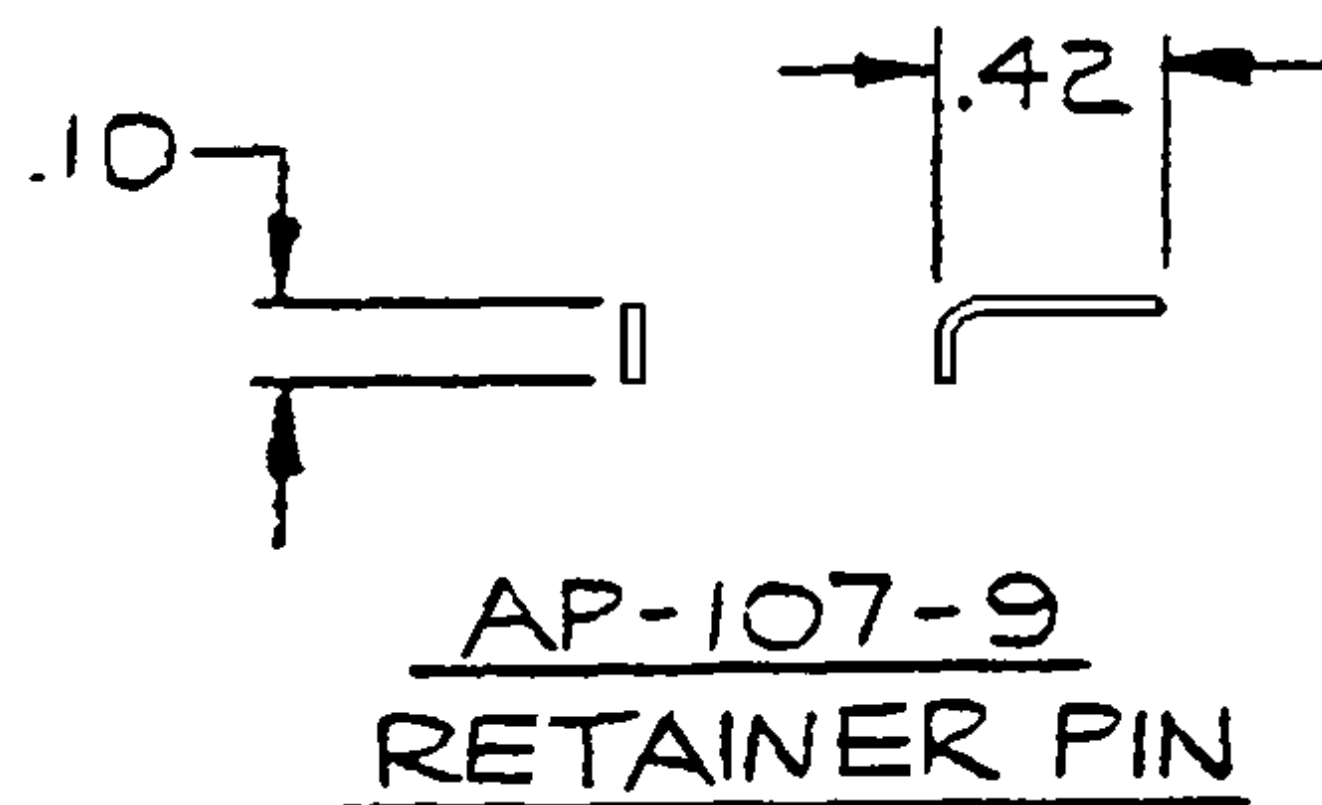
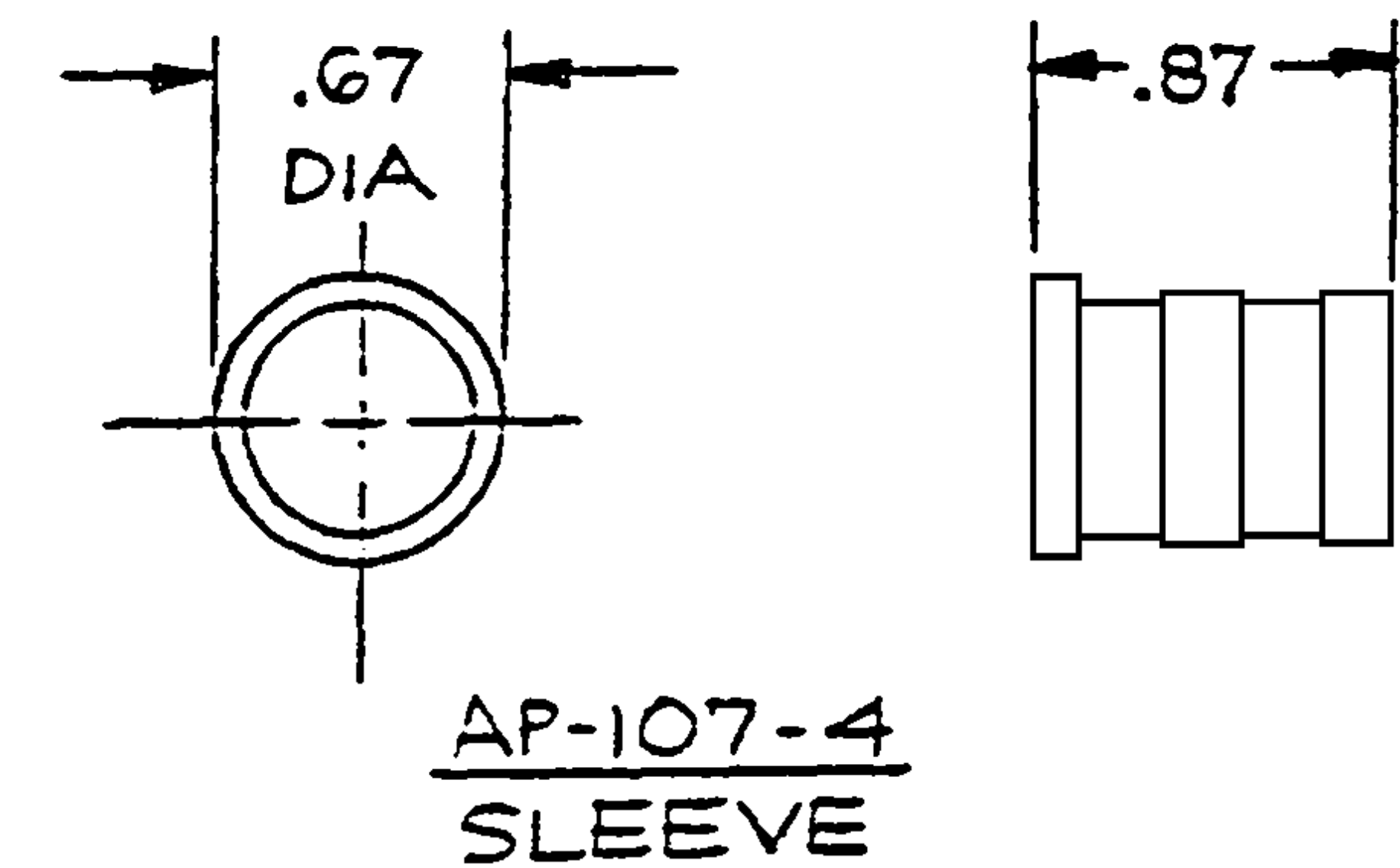
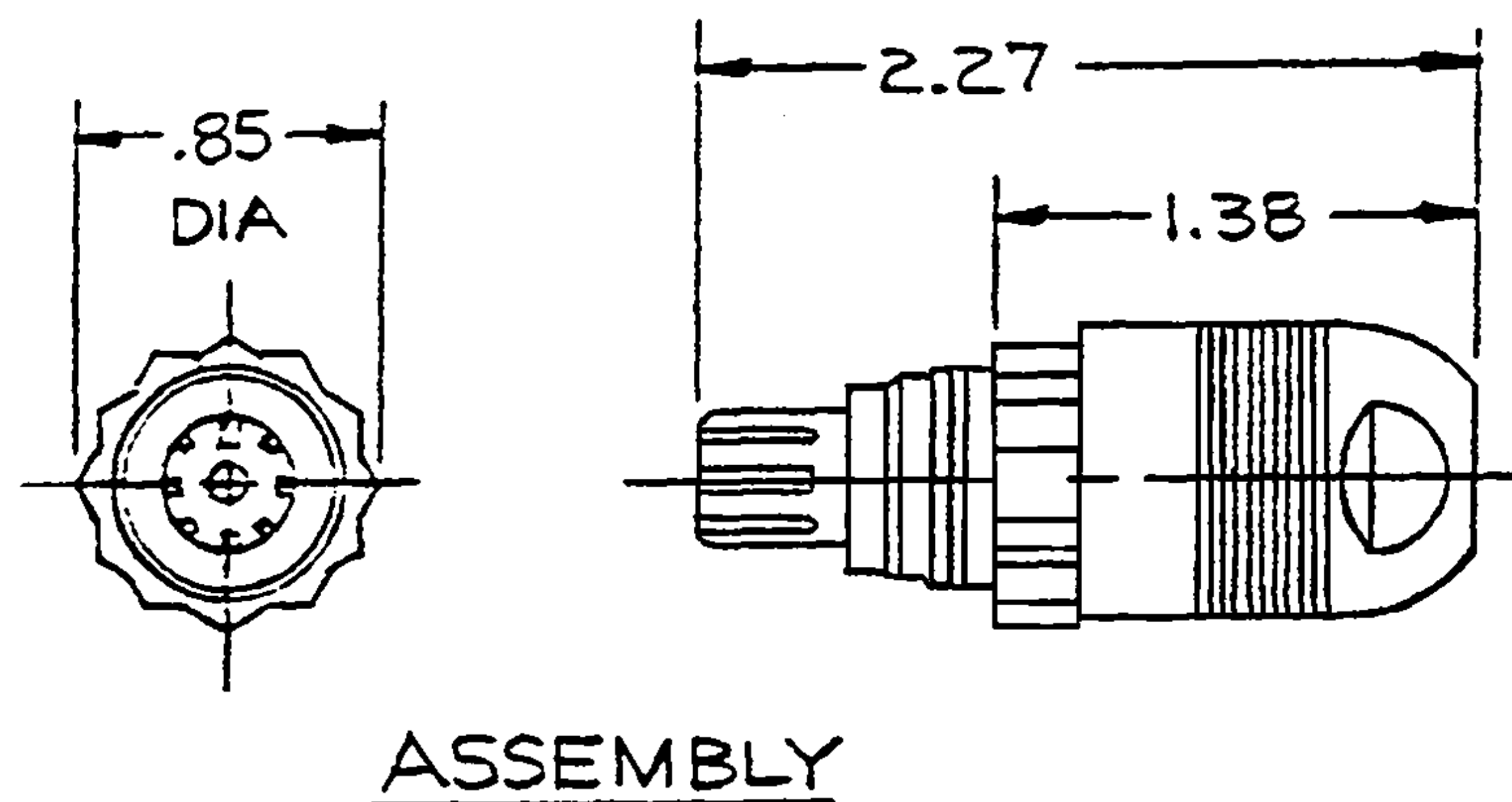
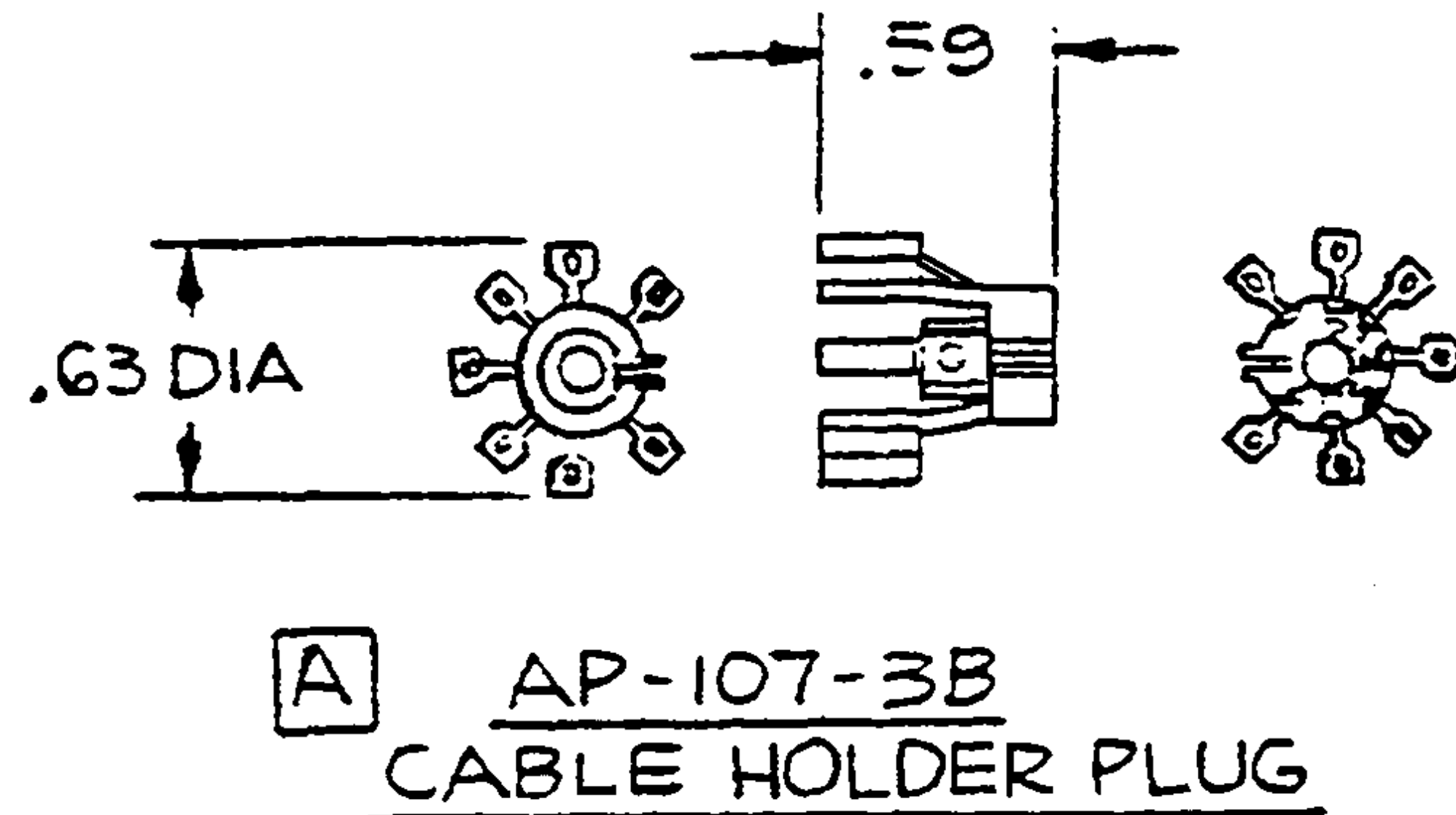
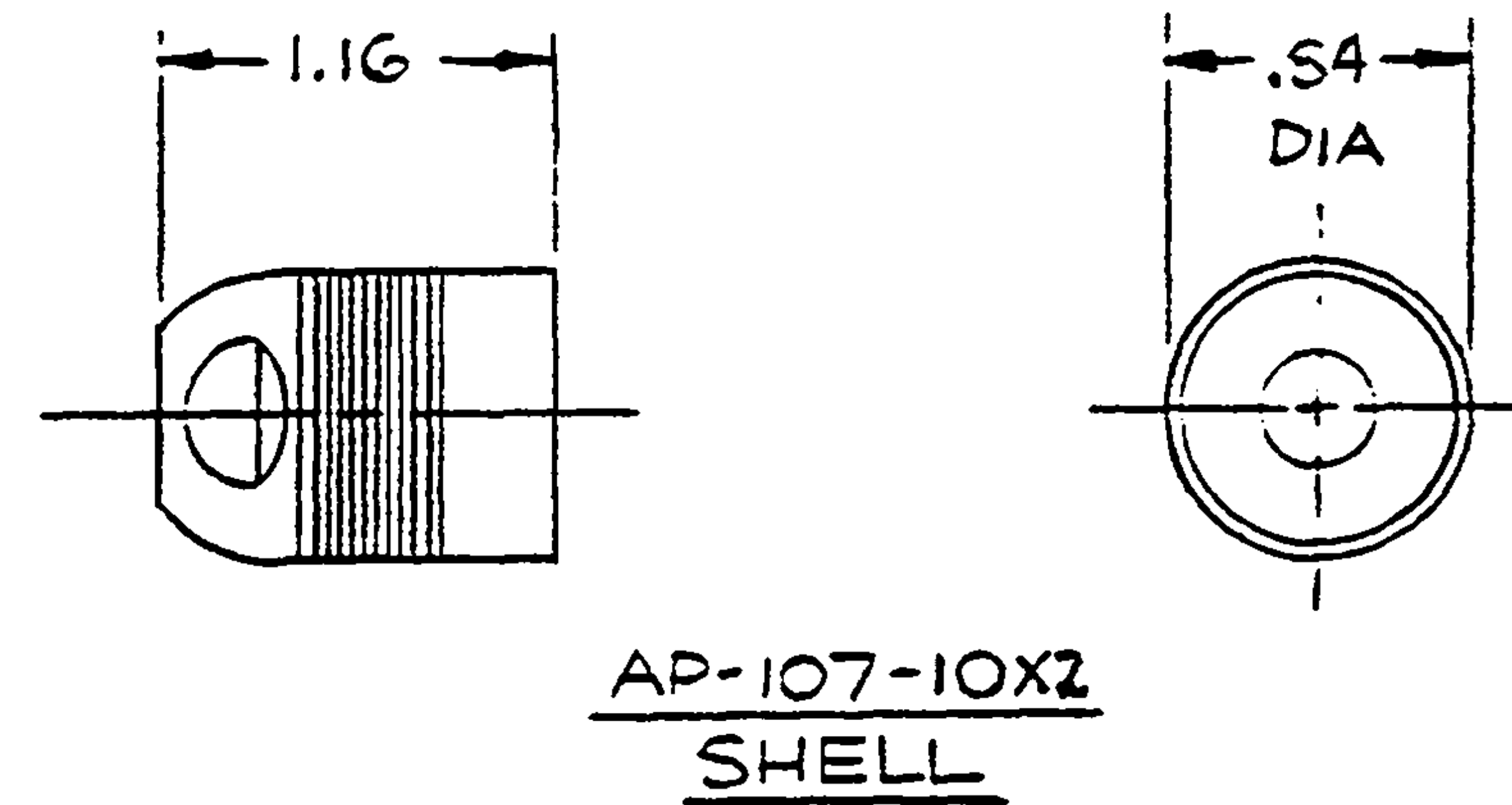


B AP-107



NOTES:
1. THIS PART MATES WITH AJ-107,
SEVEN CONDUCTOR WATERPROOF
AUDIO JACK.
2. CONFIGURATION IS FOR 3/4"-12 PT
SOCKET WRENCH.



THIS DOCUMENT CONTAINS PROPRIETARY INFORMATION OF NEXUS, INCORPORATED AND SUCH INFORMATION MAY NOT BE DISCLOSED TO OTHERS FOR ANY PURPOSE OR USED FOR ANY PURPOSE WITHOUT THE WRITTEN CONSENT OF NEXUS.

LET.	REVISION	DATE	CHK.
A	VIEWS CHANGED	8-12-88	

DWN. BY IDH	DATE 3-3-88	MATERIAL	
CHECKED BY		FINISH	
APPR. BY		WEIGHT	SCALE 1:1
UNLESS OTHERWISE SPECIFIED DIMENSIONS ARE IN INCHES TOLERANCES ON FRACTIONS DECIMALS ANGLES		TITLE SEVEN CONDUCTOR WATER PROOF AUDIO PLUG	
		DO NOT SCALE DWG.	SHEET OF
		NEXUS STAMFORD, CONN.	
		SIZE	DWG. NO.
		B AP-107	

Mouser Electronics

Authorized Distributor

Click to View Pricing, Inventory, Delivery & Lifecycle Information:

[Amphenol:](#)

[AP-107](#) [AP-107AS](#) [AP-107BR-SP](#)