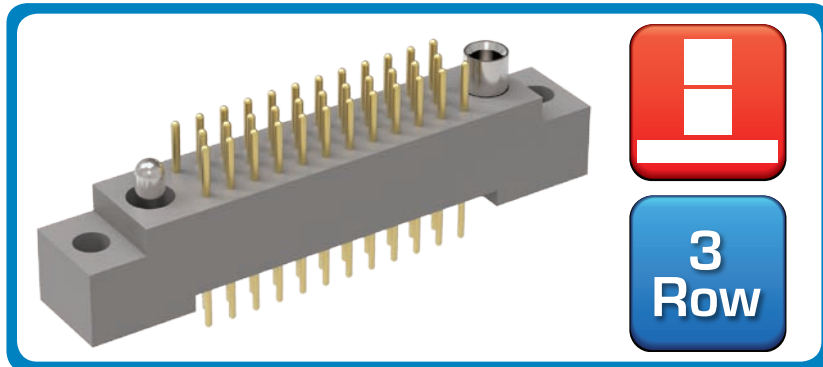


R Series High-Density 0.075" (1.905mm)



RM – Three-Row, Straight, Board-Mount Plug

Contact Spacing: 0.075" (1.91 mm)
R-Series products are high-density, plastic connectors commonly used in board-to-board applications. Approved to MIL-55302 standard.

Sample Part Number Format: RM332-035-102-5500

SERIES	ROWS	STYLE	BODY MATERIAL	SIZE	PLATING	POLARIZATION	OPTIONS
RM	3	2					
0.075" Plastic Rectangular Connector (Plug)	3 – 3-Row (11-206 contacts)	1 – Plug, straight with mounting ears 3 – Plug, straight without mounting ears	2 – Polyphenylene sulfide (PPS)	011 – 11 contacts 023 – 23 contacts 035 – 35 contacts 047 – 47 contacts 059 – 59 contacts 071 – 71 contacts 080 – 80 contacts 092 – 92 contacts 104 – 104 contacts 122 – 122 contacts 140 – 140 contacts 152 – 152 contacts 182 – 182 contacts 206 – 206 contacts	1 – Gold 2 – Pre-tinned, SnPb alloy ‡ 3 – Pre-tinned, SAC305 alloy	00 – None XX – See page 140 for codes 70 – Same as above, but without Loctite® (customer-keyed)	BN – Bond #1-72, small pattern hex nuts into mounting ears
				TERMINATION	HARDWARE		
				10 – Plated thru-hole, 0.109" x 0.020" Ø 12 – Plated thru-hole, 0.140" x 0.020" Ø 13 – Plated thru-hole, 0.172" x 0.020" Ø 14 – Plated thru-hole, 0.250" x 0.020" Ø	0256 – None 55 – Guide set 57 – Two guide pins 58 – Two guide sockets 29 – Fixed jackset 30 – Fixed jackset, reversed 19 – Two fixed jackscrews 20 – Two fixed jackscrews 59 – Hex turning jackset, 0.200" 60 – Hex turning jackset reversed, 0.200" 61 – Two hex turning jackscrews, 0.200" 62 – Two hex turning jackscrews, 0.200" 64 – Turning jackset, 0.490"		

Notes:
‡ Not RoHS-compliant

PLEASE CONSULT THE AIRBORN WEBSITE FOR THE LATEST REVISION OF THIS DOCUMENT PRIOR TO BEGINNING ANY DESIGN WORK.

Mates with

- RM322 & RM342 — Three-row, straight receptacle
- RM362 & RM382 — Three-row, right-angle receptacle
- RA3E, 3F, 3G, 3H — Three-row, I/O receptacle

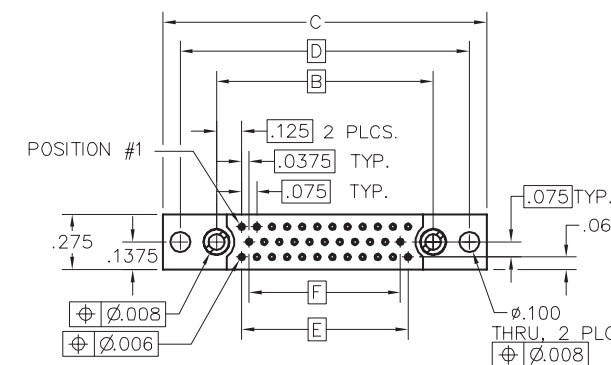
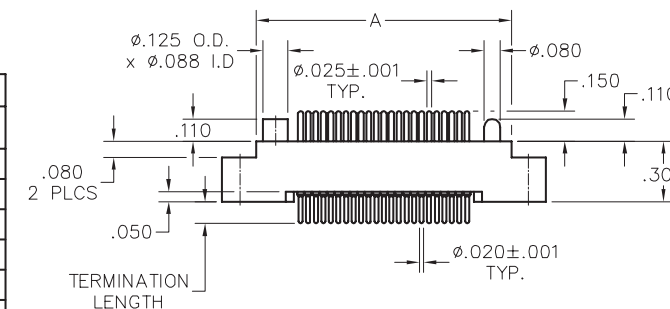
Terminations



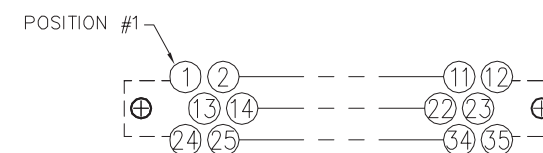
RM – Three-Row, Straight, Board-Mount Plug

Plastic ▪ 3-Row ▪ 11-206 Contacts

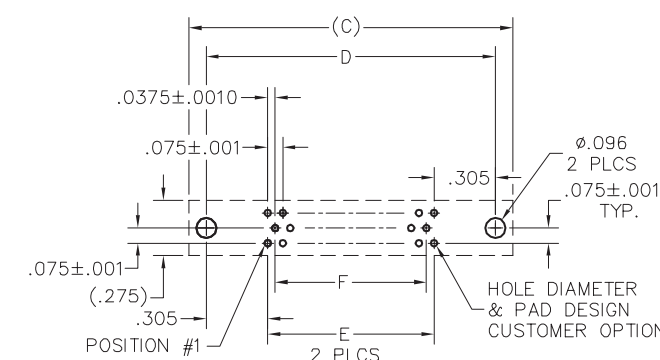
SIZE	A	B	C	D	E	F
11	.665	.475	1.005	.835	.225	.150
23	.965	.775	1.305	1.135	.525	.450
35	1.265	1.075	1.605	1.435	.825	.750
47	1.565	1.375	1.905	1.735	1.125	1.050
59	1.865	1.675	2.205	2.035	1.425	1.350
71	2.165	1.975	2.505	2.335	1.725	1.650
80	2.390	2.200	2.730	2.560	1.950	1.875
92	2.690	2.500	3.030	2.860	2.250	2.175
104	2.990	2.800	3.330	3.160	2.550	2.475
122	3.440	3.250	3.780	3.610	3.000	2.925
140	3.890	3.700	4.230	4.060	3.450	3.375
152	4.190	4.000	4.530	4.360	3.750	3.675
182	4.940	4.750	5.280	5.110	4.500	4.425
206	5.540	5.350	5.880	5.710	5.100	5.025



PLUG



PIN IDENTIFICATION PATTERN
VIEWED FROM TERMINATION SIDE
(EXAMPLE: 35 POSITION CONNECTOR)



PCB LAYOUT VIEWED
FROM COMPONENT SIDE

PLEASE CONSULT THE AIRBORN WEBSITE FOR THE LATEST REVISION OF THIS DOCUMENT PRIOR TO BEGINNING ANY DESIGN WORK.

Mouser Electronics

Authorized Distributor

Click to View Pricing, Inventory, Delivery & Lifecycle Information:

AirBorn:

[RM312-080-151-5900](#) [RM312-080-121-5500](#) [RM312-059-121-5500](#) [RM312-023-121-5500](#) [RM312-122-121-5500](#)
[RM312-035-121-5500](#) [RM312-206-121-5500](#) [RM312-011-121-5500](#) [RM312-047-121-5500](#) [RM312-152-121-5500](#)
[RM312-122-000-0256-#022](#)