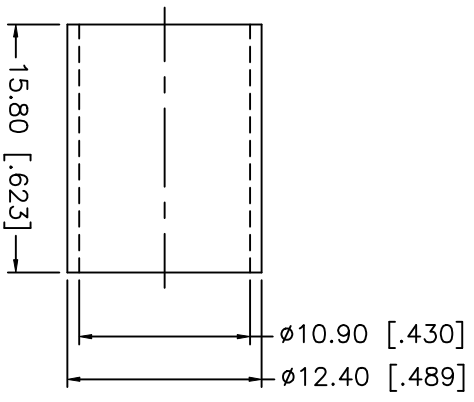
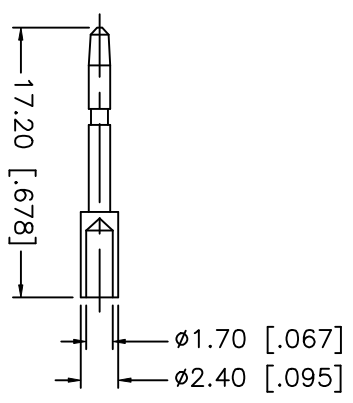
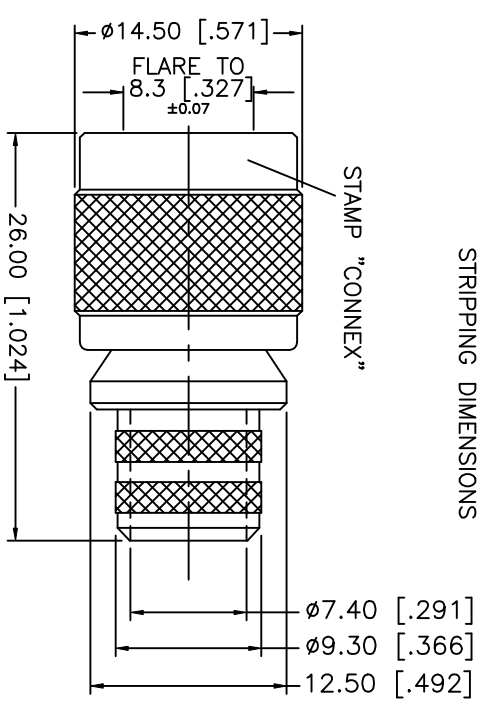
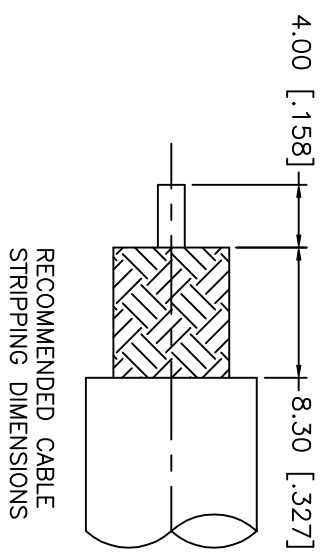


REV.	DATE	DESCRIPTION
A	10/25/99	UPDATE CONTACT PIN



- CRIMP NOTES:
1. CRIMPED FERRULE
HEX CRIMP SIZE .429"
 2. CRIMP CONTACT PIN
HEX CRIMP SIZE .068"

DESCRIPTION	MATERIAL	FINISH	UNLESS OTHERWISE SPECIFIED DIMENSIONS ARE IN MILLIMETERS DIMENSIONS IN [] ARE IN INCHES FOR CUSTOMER REFERENCE ONLY	APPROVALS	DATE	TITLE
1 BODY	BRASS	NICKEL		DRAWN	G.R.S.	10/25/99
2 INSULATOR	TEFLON	NATURAL		CHECKED		
3 CONTACT PIN	BRASS	GOLD		ISSUED		
4 FERRULE	BRASS	NICKEL				
5						
6						
7						
8						

UNLESS OTHERWISE SPECIFIED DIMENSIONS ARE IN MILLIMETERS DIMENSIONS IN [] ARE IN INCHES FOR CUSTOMER REFERENCE ONLY	
UNLESS OTHERWISE SPECIFIED TOLERANCES FOR MILLIMETERS ARE:	
0.5-6 = ± 0.2	
6-30 = ± 0.4	
30-120 = ± 0.6	
120-315 = ± 1	
315-1000 = ± 1.6	
1000-2000 = ± 2.4	

SCALE	NA	PART NO.	122470	SHEET	1 OF 1
-------	----	----------	--------	-------	--------

<p style="text-align: center;">Amphenol - Connex CONNECTOR CORPORATION</p> <p style="text-align: center;">TNC CRIMP PLUG (FOR BELDEN 9292, 8213, CABLE)</p>			
SIZE	FSOM NO.	DWG. NO.	REV.
A	99001	122470.DWG	NC

Mouser Electronics

Authorized Distributor

Click to View Pricing, Inventory, Delivery & Lifecycle Information:

[Amphenol:](#)

[122470](#)