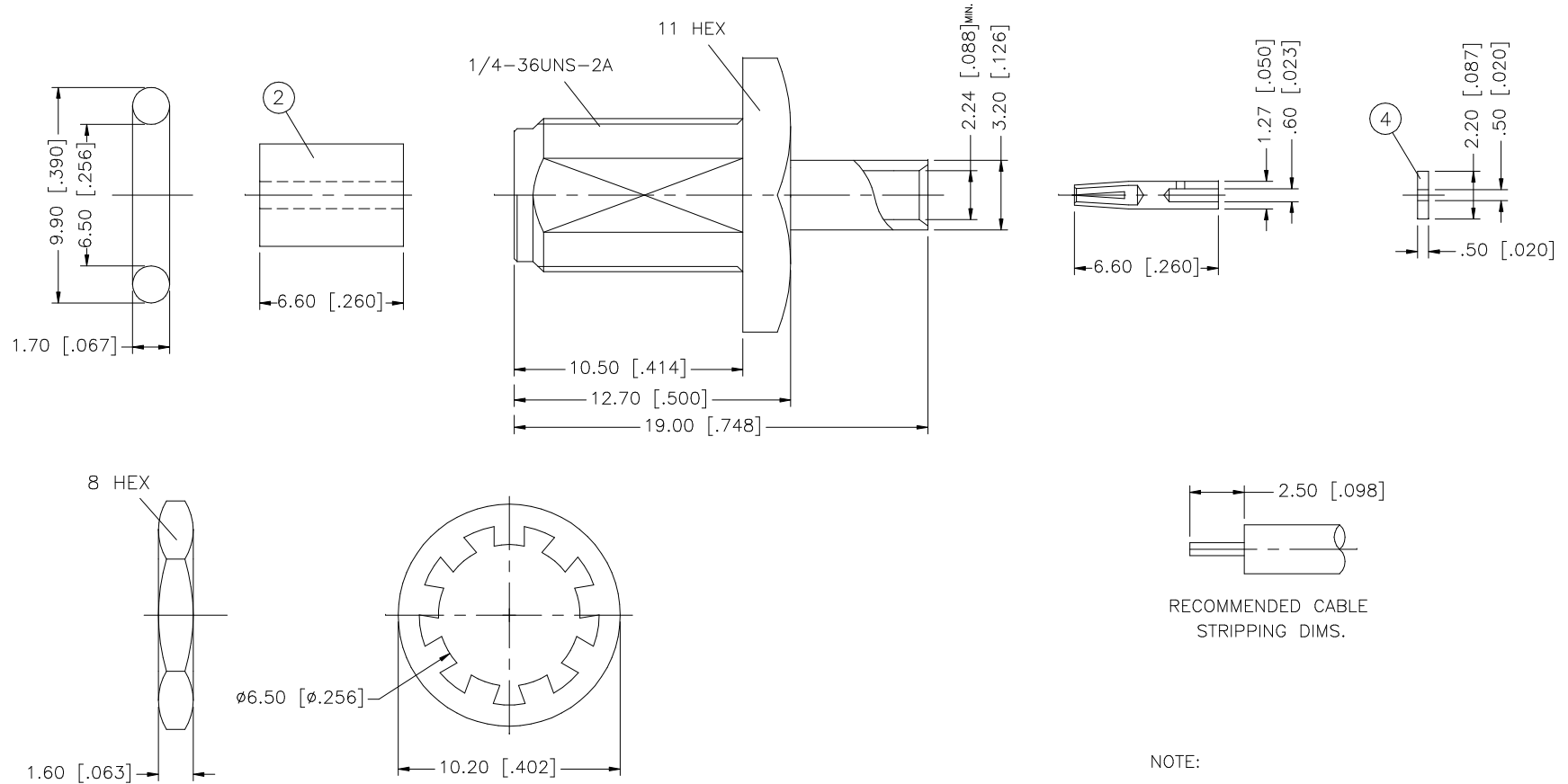


REV.	DATE	DESCRIPTION
B	01/12/98	ADD INSULATOR/ STRIPPING DIM'S
C	02/11/99	MODIFY 'O'-RING DIMENSIONS
D	01/29/03	UPDATE DRAWING FORMAT



NOTE:

- CONTACT PIN TO SOLDER
- MAX. PANEL THICKNESS = 2.4mm

REV.	DESCRIPTION	MATERIAL	FINISH	QTY	APPROVALS	DATE	PART DESCRIPTION							
8							<h1 style="text-align: center; color: blue;">Amphenol Connex</h1> <p style="text-align: center; font-weight: bold;">SMA DIRECT SOLDER BULKHEAD JACK (FOR .085", .086" SEMI-RIGID CABLE)</p> <p style="text-align: center; font-weight: bold;">132105</p>							
7	FERRULE	BRASS	GOLD		DRAWN	G.R.S.					01/29/03			
6	LOCK WASHER	BRASS	GOLD	1	CHECKED									
5	GASKET	SILICONE	RED	1	ISSUED									
4	INSULATOR	TEFLON	NATURAL	1	SHEET	1 OF 1								
3	CONTACT PIN	BER. COPPER	GOLD	1										
2	INSULATOR	TEFLON	NATURAL	1										
1	BODY	BRASS	GOLD	1										
<p>UNLESS OTHERWISE SPECIFIED DIMENSIONS ARE IN MILLIMETERS. DIMENSIONS IN [] ARE IN INCHES AND FOR CUSTOMER REFERENCE ONLY.</p> <p>UNLESS OTHERWISE SPECIFIED TOLERANCES FOR MILLIMETERS ARE: 0.5 - 8mm ± 0.20mm 8 - 30mm ± 0.40mm 30 - 120mm ± 0.50mm</p> <p>UNLESS OTHERWISE SPECIFIED TOLERANCES FOR INCHES ARE: .020 - .315 = ± 0.007" .315 - 1.180 = ± 0.015" 1.180 - 4.724 = ± 0.020"</p>					<p>CAD FILE C:/132/132105.DWG</p>		DWG. NO.	132105.DWG	REV.	D	SIZE	A	SCALE	NA
DO NOT SCALE DRAWING														

Mouser Electronics

Authorized Distributor

Click to View Pricing, Inventory, Delivery & Lifecycle Information:

[Amphenol:](#)

[132105](#)