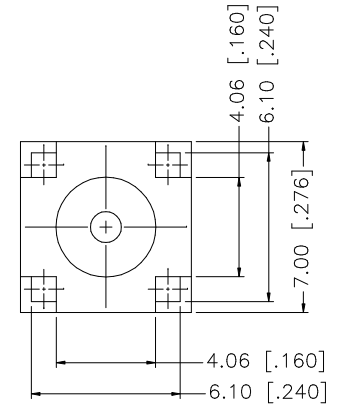
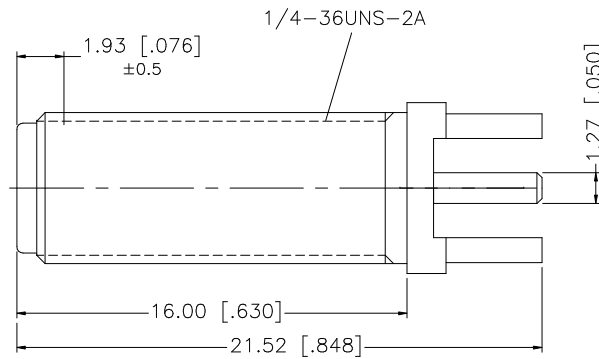
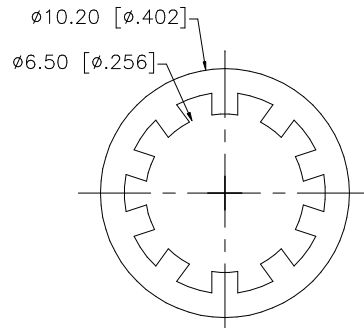
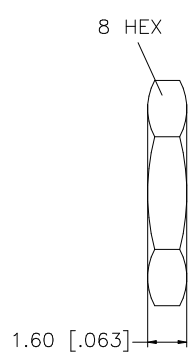
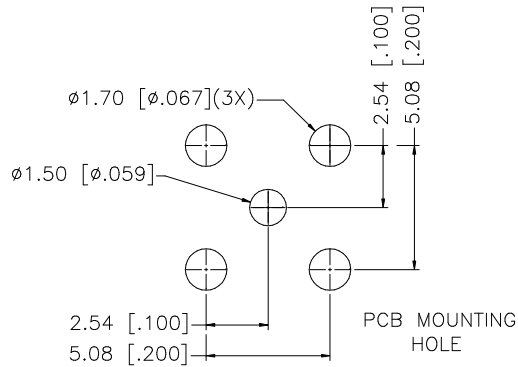


REV.	DATE	DESCRIPTION
A	01/30/04	UPDATE DRAWING FORMAT



NOTE:

1. MAX. PANEL THICKNESS = 7.5mm

REV.	DESCRIPTION	MATERIAL	FINISH	QTY	APPROVALS	DATE	Amphenol Connex						
8							Amphenol Connex PART DESCRIPTION SMA BULKHEAD P.C. MOUNT JACK						
7						PART NO. 132291							
6											DWG. NO. 132291.DWG REV. A SIZE A SCALE NA		
5	HEX NUT	BRASS	GOLD	1			CAD FILE C:/132/132291.DWG						
4	LOCK WASHER	BRASS	GOLD	1							DO NOT SCALE DRAWING		
3	CONTACT PIN	BER. COPPER	GOLD	1			UNLESS OTHERWISE SPECIFIED DIMENSIONS ARE IN MILLIMETERS. DIMENSIONS IN [] ARE IN INCHES AND FOR CUSTOMER REFERENCE ONLY. UNLESS OTHERWISE SPECIFIED TOLERANCES FOR MILLIMETERS ARE: 0.5 - 8mm ± 0.20 mm 8 - 30mm ± 0.40 mm 30 - 120mm ± 0.50 mm UNLESS OTHERWISE SPECIFIED TOLERANCES FOR INCHES ARE: .020 - .315 = ± 0.007 " .315 - 1.180 = ± 0.015 " 1.180 - 4.724 = ± 0.020 "						
2	INSULATOR	TEFLON	NATURAL	1							SHEET 1 OF 1		
1	BODY	BRASS	GOLD	1			DRAWN G.R.S. 01/30/04 CHECKED ISSUED SHEET 1 OF 1						
	DESCRIPTION	MATERIAL	FINISH	QTY									

Mouser Electronics

Authorized Distributor

Click to View Pricing, Inventory, Delivery & Lifecycle Information:

[Amphenol:](#)

[132291](#)