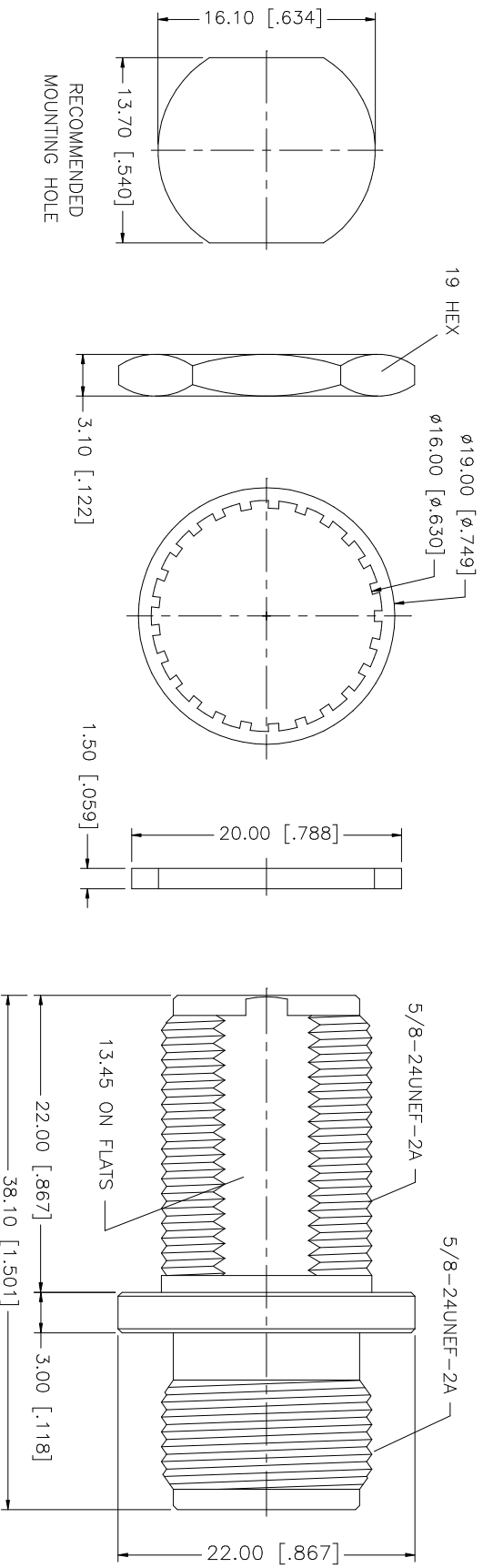


REV.	DATE	DESCRIPTION
NC	02/28/03	INITIAL RELEASE



NOTE:  
1. MAX. PANEL THICKNESS = 6.5mm [0.255"]

QTY	DESCRIPTION	MATERIAL	FINISH	FINISH	QTY	DO NOT SCALE DRAWING	APPROVALS	DATE	DWG. NO.	REV.	NC	SIZE	SCALE
1	INSULATOR	TEFLON	NATURAL	NEXCOTE	1				172124.DWG			A	NA
1	HOUSING/BODY	BRASS	NEXCOTE	NEXCOTE	1				172124.DWG			A	NA
1	CONTACT PIN	PHOS. BRONZE	GOLD	NEXCOTE	1				172124.DWG			A	NA
1	GASKET	SILICONE	RED	NEXCOTE	1				172124.DWG			A	NA
1	LOCK WASHER	BRASS	NEXCOTE	NEXCOTE	1				172124.DWG			A	NA
1	HEX NUT	BRASS	NEXCOTE	NEXCOTE	1				172124.DWG			A	NA

UNLESS OTHERWISE SPECIFIED DIMENSIONS ARE IN MILLIMETERS. DIMENSIONS IN [ ] ARE IN INCHES AND FOR CUSTOMER REFERENCE ONLY. TOLERANCES FOR MILLIMETERS ARE:  
0.5 - 8mm ± 0.20mm  
8 - 30mm ± 0.40mm  
30 - 120mm ± 0.50mm

UNLESS OTHERWISE SPECIFIED DIMENSIONS ARE IN INCHES. TOLERANCES FOR INCHES ARE:  
.020 - .315 = ± 0.007"  
.315 - 1.180 = ± 0.015"  
1.180 - 4.724 = ± 0.020"

CAD FILE C:/172/172124.DWG

ISSUED SHEET 1 OF 1

PART NO. 172124

PART DESCRIPTION  
**N JACK TO JACK BULKHEAD ADAPTER**

**Amphenol Connex**

# Mouser Electronics

Authorized Distributor

Click to View Pricing, Inventory, Delivery & Lifecycle Information:

[Amphenol:](#)

[172124](#)