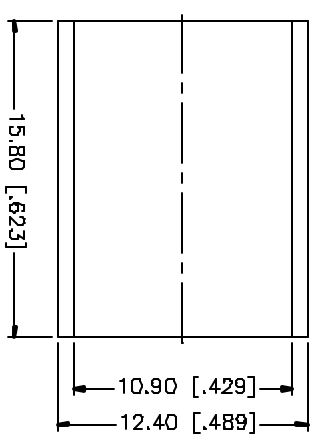
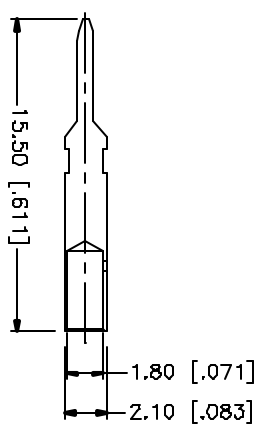
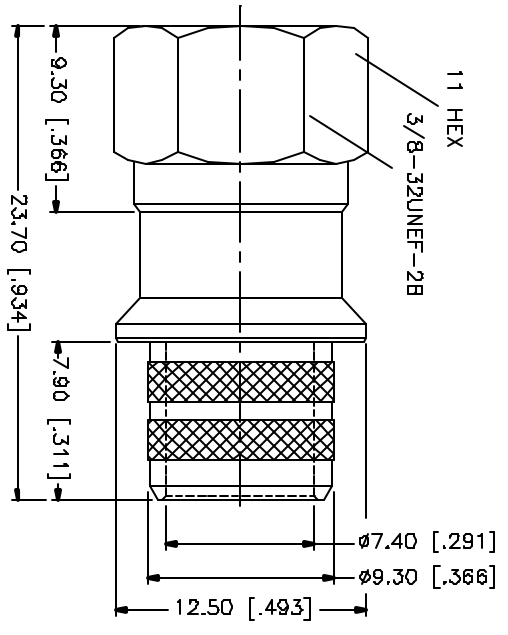
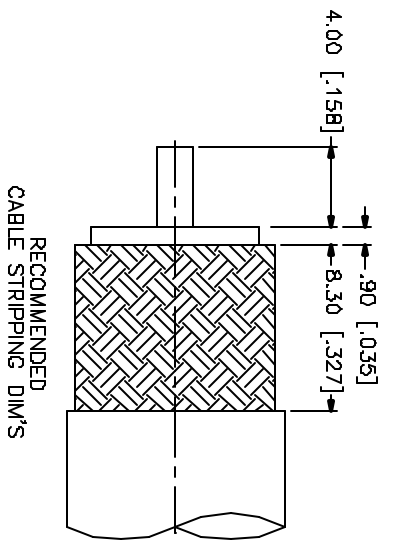


REV.	DATE	DESCRIPTION
NC	01/11/05	INITIAL RELEASE



CRIMP NOTES:

1. CRIMPED FERRULE  
HEX CRIMP SIZE .429"
2. CRIMPED CONTACT PIN  
HEX CRIMP SIZE .068"

NO.	DESCRIPTION	MATERIAL	FINISH	QTY	UNLESS OTHERWISE SPECIFIED DIMENSIONS ARE IN MILLIMETERS (IN [ ] ARE IN INCHES AND FOR CONVERSION PURPOSES ONLY.	APPROVALS	DATE	PART DESCRIPTION										
1	BODY	BRASS	NICKEL	1	UNLESS OTHERWISE SPECIFIED DIMENSIONS ARE IN MILLIMETERS (IN [ ] ARE IN INCHES AND FOR CONVERSION PURPOSES ONLY. UNLESS OTHERWISE SPECIFIED TOLERANCES FOR MILLIMETERS ARE: 0.5 - 8mm ± 0.20mm 8 - 30mm ± 0.40mm 30 - 150mm ± 0.50mm UNLESS OTHERWISE SPECIFIED TOLERANCES FOR INCHES ARE: .020 - .315 = ± 0.007" .315 - 1.180 = ± 0.015" 1.180 - 4.724 = ± 0.020"	DRWN	G.R.S.	01/11/05	<b>Amphenol Connex</b> F CRIMP PLUG (FOR RG-11/U - 14 AWG CONTACT) 222195									
2	INSULATOR	DELFIN	NATURAL	1		CHEKED												
3	CONTACT PIN	BRASS	GOLD	1		ISSUED												
4	FERRULE	COPPER	NICKEL	1		9-HEET	1 OF 1											
8																		
DESCRIPTION					MATERIAL	FINISH	QTY	DO NOT SCALE DRAWING	CAD FILE	C:/222/222195.DWG	DWG. NO.	222195.DWG	REV.	NC	SIZE	A	SCALE	NA

# Mouser Electronics

Authorized Distributor

Click to View Pricing, Inventory, Delivery & Lifecycle Information:

[Amphenol:](#)

[222195](#)