

4

3

2

1

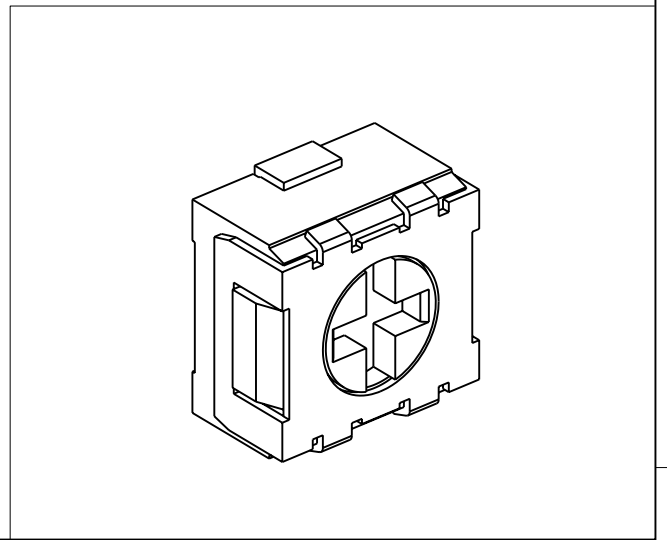
THIS DRAWING IS UNPUBLISHED. RELEASED FOR PUBLICATION 2008
 © COPYRIGHT 2008 BY - ALL RIGHTS RESERVED.

| LOC | DIST | REVISIONS | | | |
|-----|------|-------------|---------------------------|-----------|--------|
| P | LTR | DESCRIPTION | DATE | DWN | APVD |
| E | B | BA1 | REVISED PER ECO-11-005150 | 29MAR2011 | RK HMR |

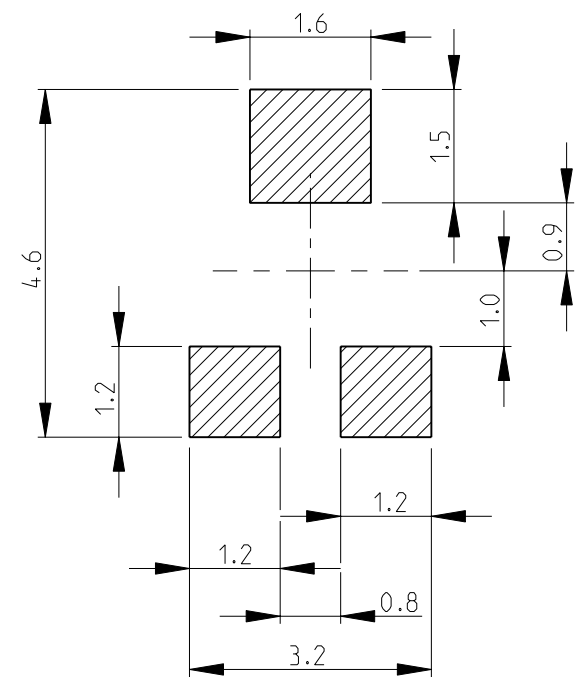
- 1 DATE CODE
- 2 RESISTANCE CODE 2 DIGITS
- 3 CROSS SLOT FOR "0" BIT DRIVER, DEPTH: 0.45mm
- 4 FOR FURTHER INFORMATION SEE DATA SHEET FOR 3203 SERIES-SMD TRIMMERS



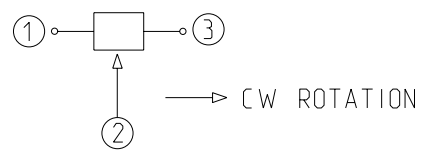
RoHS Compliant



RECOMMENDED LAND PATTERN



CIRCUIT DIAGRAM



| | | | | | | | | | | |
|---|--|----------|-----------|-----------|---|------------------|-----------|--------------|--------------|---------------|
| THIS DRAWING IS A CONTROLLED DOCUMENT. | | DWN | SUBHASH.M | 12-NOV-08 |  TE Connectivity | NAME | | SMD TRIMMERS | | RESTRICTED TO |
| DIMENSIONS: mm | | CHK | PRAKASH.S | 12-NOV-08 | | PRODUCT SPEC | | SERIES 3203 | | |
|  | | APVD | STEPHEN.P | 12-NOV-08 | | APPLICATION SPEC | | - | | |
| TOLERANCES UNLESS OTHERWISE SPECIFIED: | | MATERIAL | | WEIGHT | | SIZE | CAGE CODE | DRAWING NO | - | |
| 0 PLC ± 0.2 1 PLC ± 0.1 2 PLC ± - 3 PLC ± - 4 PLC ± - ANGLES ± 5° | | - | | - | | A3 | 00779 | 1623916 | - | |
| FINISH | | - | | - | | SCALE | | 10:1 | SHEET 1 OF 1 | |
| - | | - | | - | | CUSTOMER DRAWING | | REV | | BA1 |

Mouser Electronics

Authorized Distributor

Click to View Pricing, Inventory, Delivery & Lifecycle Information:

[TE Connectivity:](#)

[3203X102P](#)