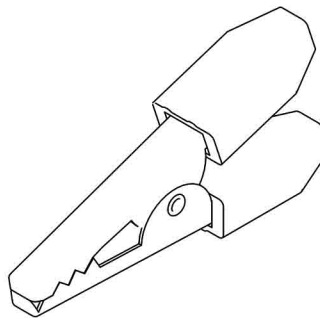
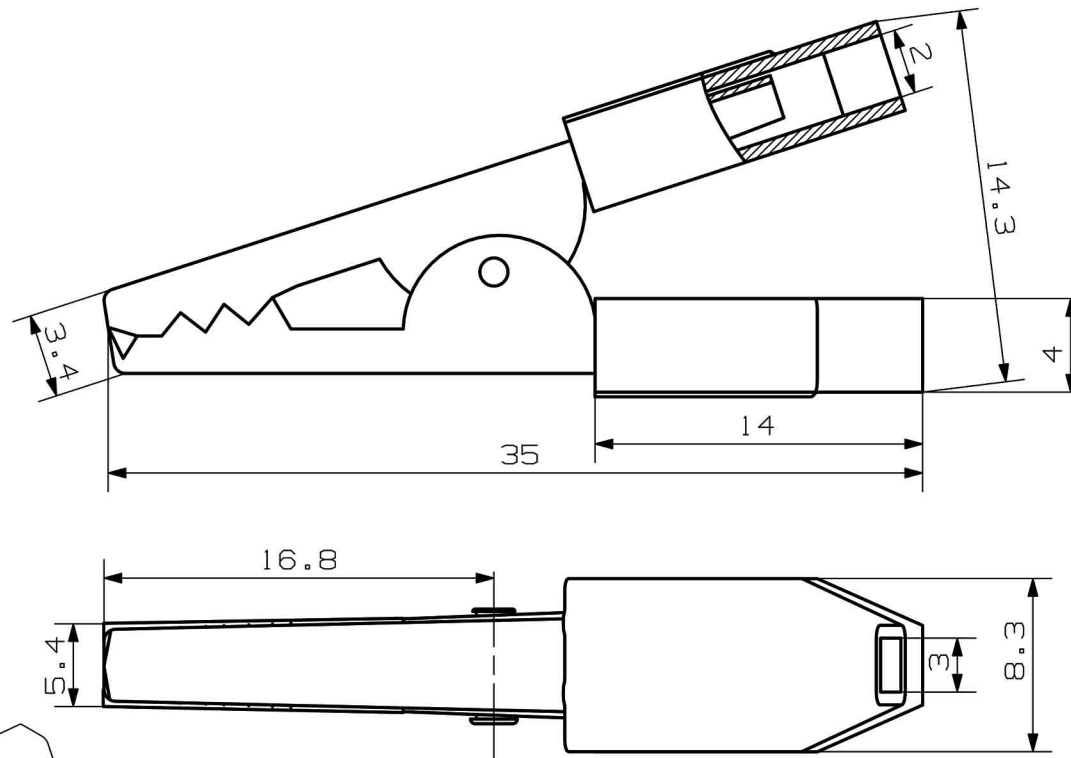


RoHS
Compliant
Drawing For
Reference Only



Technical requirement :

1. This product should meet EU RoHS related requirement.
2. The surface of plastic part should be without any crackle such as burr,lack,and so on phenomenon.
3. The surface of metal part should be without any defect such as scour,nick,oxidation and plating problem.
4. The electronic performance should be the same as spec.

DCI DRAGON CITY INDUSTRIES LIMITED

Design

K.W Law

Remark

Scale

Drawing

W.K Yeung

Remark

Material

Item Name

BATTERY CLIP

Tolerance :

Check

K.L Wong

Remark

Drawing No.

A702131330

Item No.

AG-026-004

Unit : mm

Approval

K.W Chan

Remark

Sheet