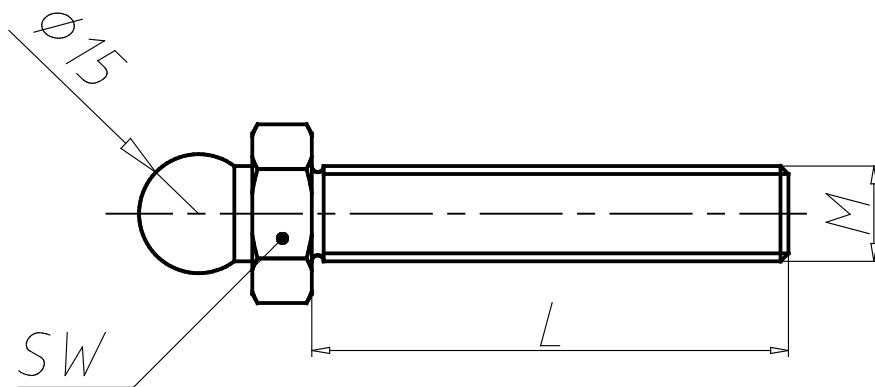




Threaded Rod Steel Metric for Swivel Feet, Ball Joint
15

098DM14150M



PARTNR (Part #)	SW (/ mm)	S (M x L / mm)	MAXL (Max. Load / kg)	WEIGHT (Weight / g)	CTN (Customs Tariff Number)	ID (ID #)
098DM14150M	14	M14 x 150	1110	166	73181582	104204