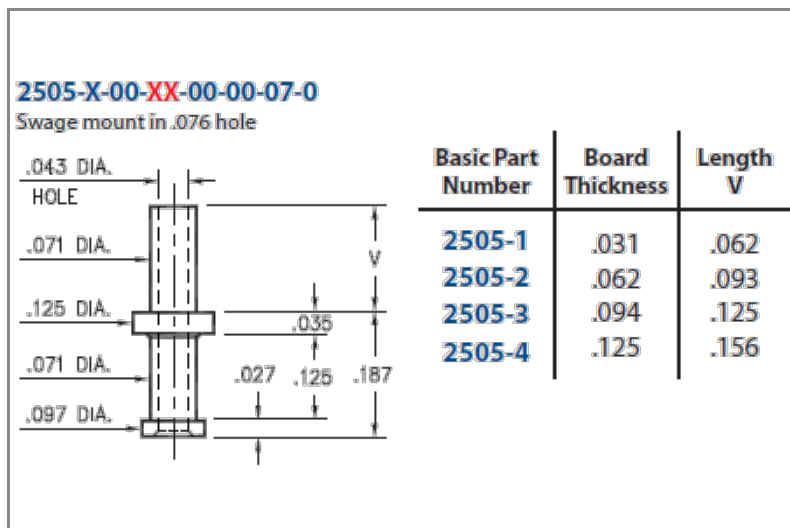


PRODUCT NUMBER: 2505-2-00-44-00-00-07-0



DESCRIPTION

Turret Terminal Pin

Current Rating:

Application Specific

Operating Temperature Range:

-55/+125° C (discontinuous)

Mounting Feature:

Swage Mount

Tail Type: Turret

Mounting Hole: .076" (1,930mm)

Tail Diameter: .097" (2,464mm)

Packaging: 00 - Packaged in Bulk

Shell Plating	Contact Plating	ROHS
----------------------	------------------------	-------------

300 μ" Silver over Copper



ADDITIONAL NOTES & SPECIFICATIONS

In the interest of improved design, quality and performance, Mill-Max reserves the right to make changes in its specifications without prior notice. Specifications and tolerances are provided wherever possible. Due to the wide variety of interconnects Mill-Max offers, the specific tolerances vary from product to product. If you need information regarding the tolerance of a particular part, please contact Technical Services.

© 2020 Mill-Max Mfg. Corp.
 190 Pine Hollow Rd , Oyster Bay, NY 11771, USA
 Phone: 516.922.6000