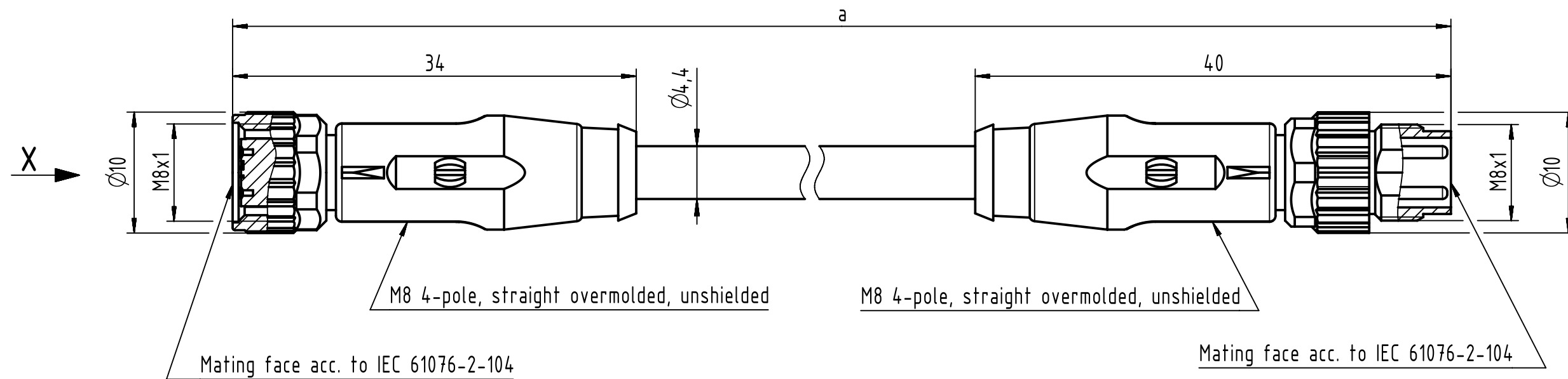
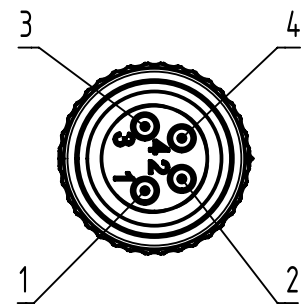


Connector Location A

Connector Location B



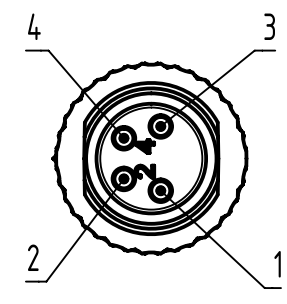
X female



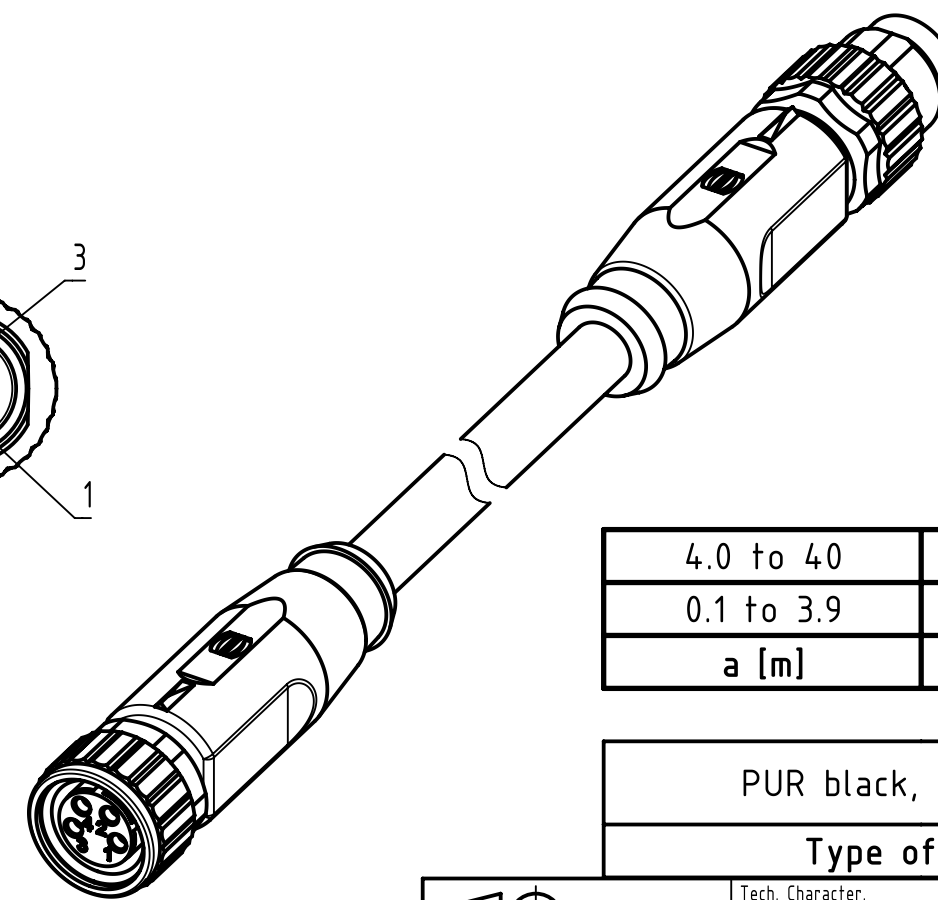
Loading-Plan:

- 1 — brown — 1
- 2 — white — 2
- 3 — blue — 3
- 4 — black — 4

Y male



- Protection level: IP67  
- Temperature range: -25°C ... +80°C



4.0 to 40	±1%
0.1 to 3.9	+0.04
<b>a [m]</b>	<b>Tolerance</b>

length in "1m" step	40	XXX=400
	39	XXX=390
	.	.
	12	XXX=120
	11	XXX=110
length in "0.1m" step	10	XXX=100
	9.9	XXX=099
	9.8	XXX=098
	.	.
	0.4	XXX=004
	0.3	XXX=003
	0.2	XXX=002
0.1	XXX=001	
<b>Step</b>	<b>a [m]</b>	<b>XXX</b>

PUR black, 4x0.25mm <sup>2</sup>	21348081489XXX
<b>Type of cable</b>	<b>Part no.</b>

	All rights reserved	Created by COSTEA Costea	Inspected by MUNTEANV Muntean	Standardisation MUNTEANV Muntean	Date 2018-12-18	State Final Release
	Department HCS - RO	Title M8 Cable Assembly 4-poles st/st f/m				Doc-Key / ECM-Nr. 100809540/UGD/009/A 500000145065
HARTING Customised Solutions D-32339 Espelkamp		Type TB	Number 21348081489XXX		Rev. A	Page 1/1

# Mouser Electronics

Authorized Distributor

Click to View Pricing, Inventory, Delivery & Lifecycle Information:

## HARTING:

[21348081489010](#) [21348081489075](#) [21348081489100](#) [21348081489005](#) [21348081489015](#) [21348081489020](#)  
[21348081489050](#) [21348080489010](#) [21348080489005](#) [21348080489015](#)