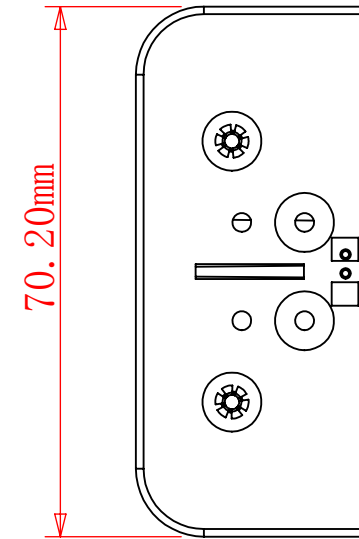
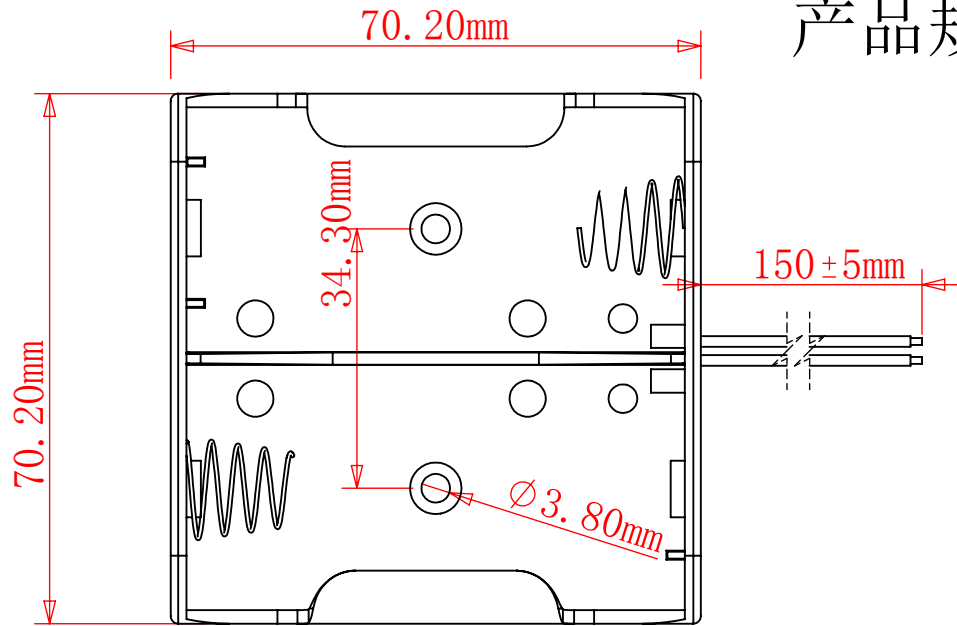


产品规格图



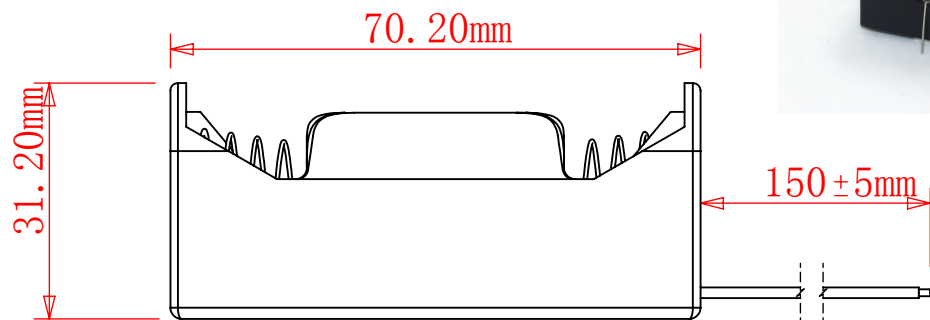
How to order Example:

KLS5-802-A

-Cell Box Series

S-With Solder Lug W-With UL1007 26AWG Wire 15CM Or Other

L-With 6 Prong Sanp



比例1:2

KLS ELECTRONIC CO.,LTD.

TBH-D-2A-S

KLS ELECTRONIC CO.,LTD.			
TBH-D-2A-S			