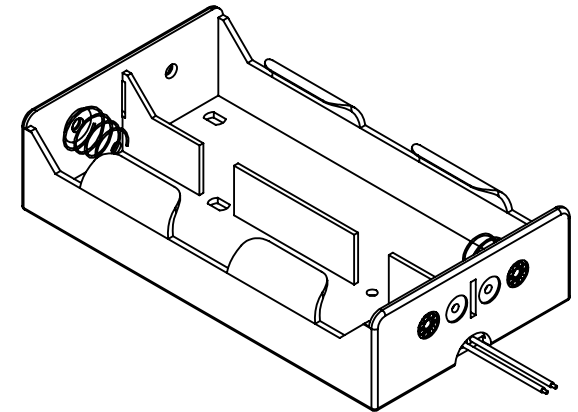
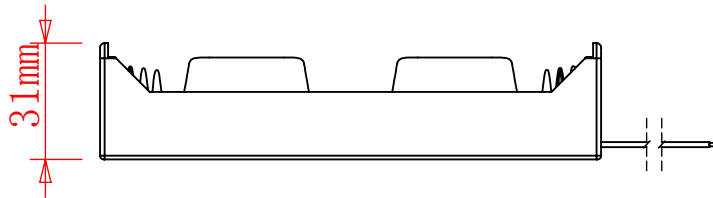
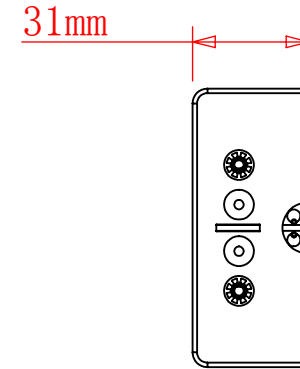
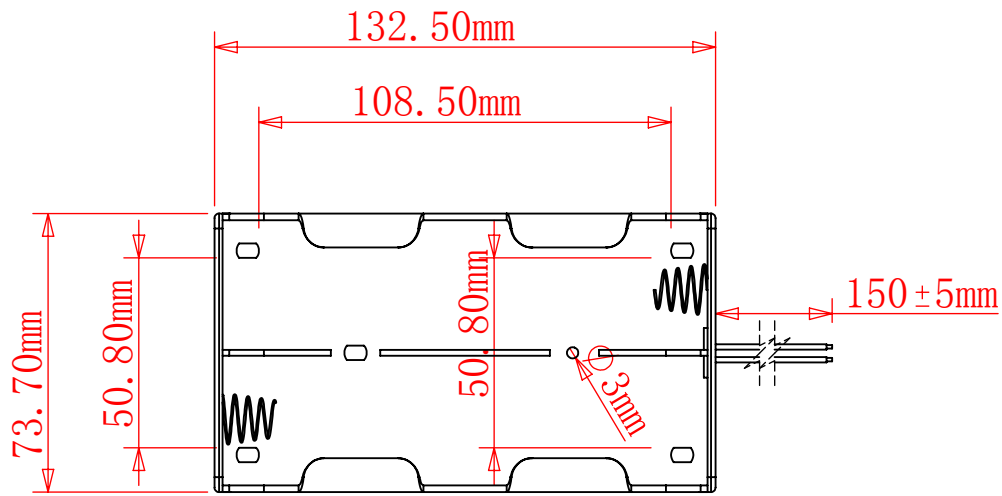


产品规格图



How to order Example:

KLS5-802-A

-Cell Box Series

S-With Solder Lug W-With UL1007 26AWG Wire 15CM Or Other

L-With 6 Prong Sanp

KLS ELECTRONIC CO.,LTD.

4节1号双条形(带线)

TBH-D-4C-S

比例

1: 2

公差

±0.2mm