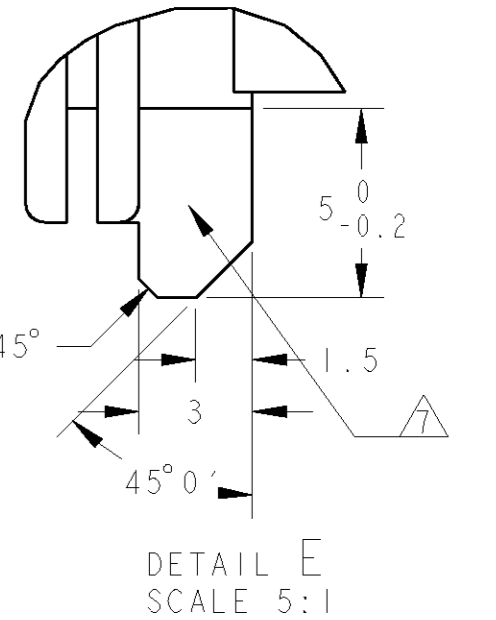
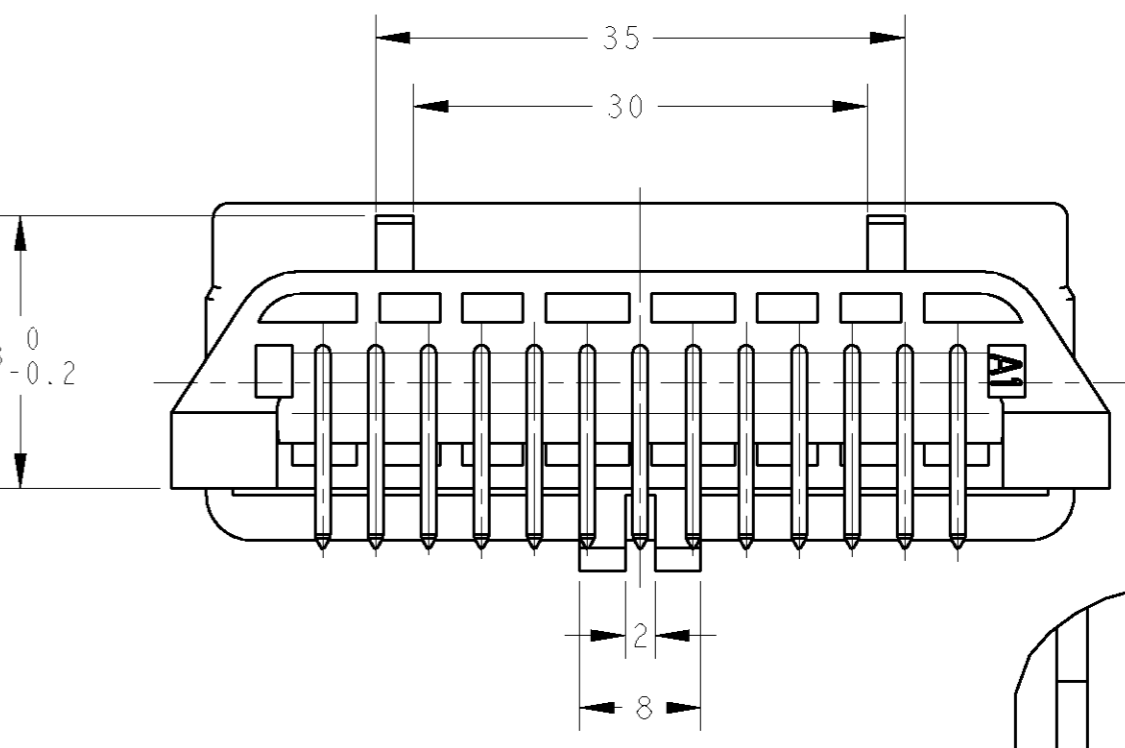
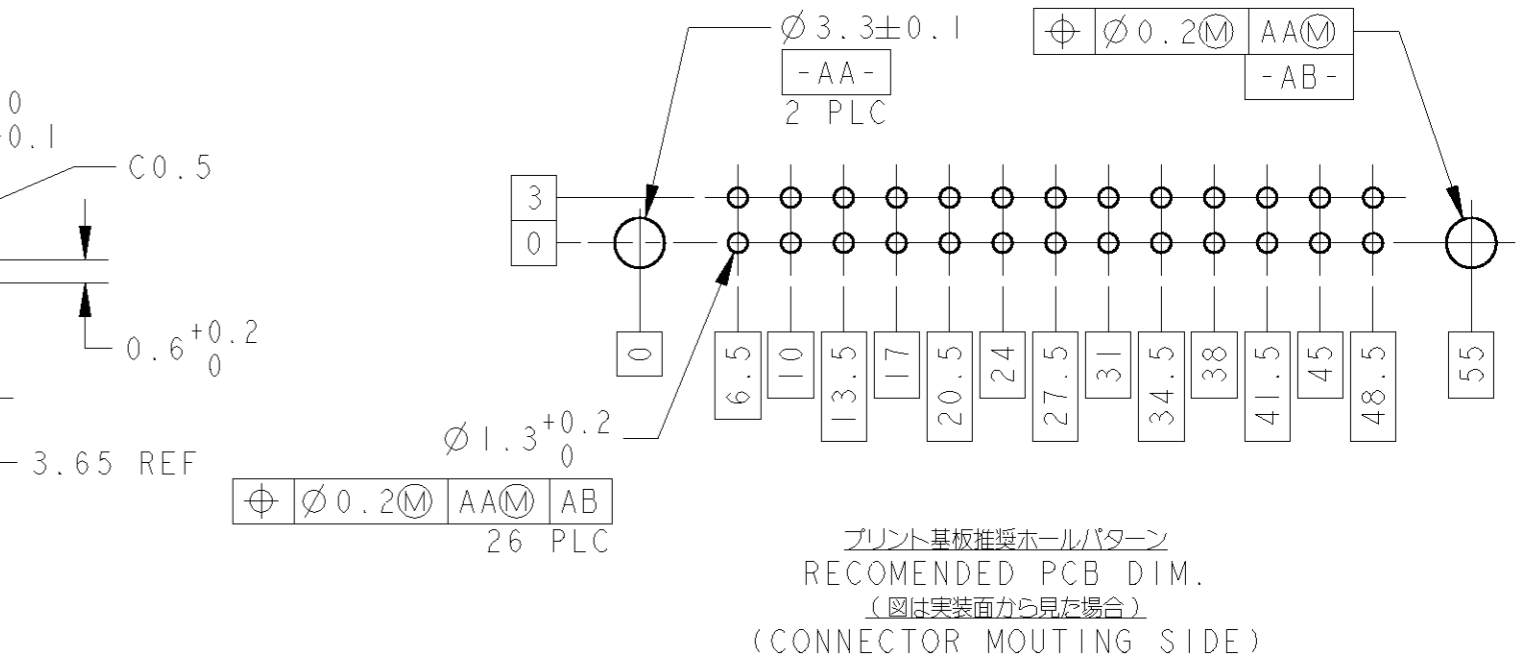
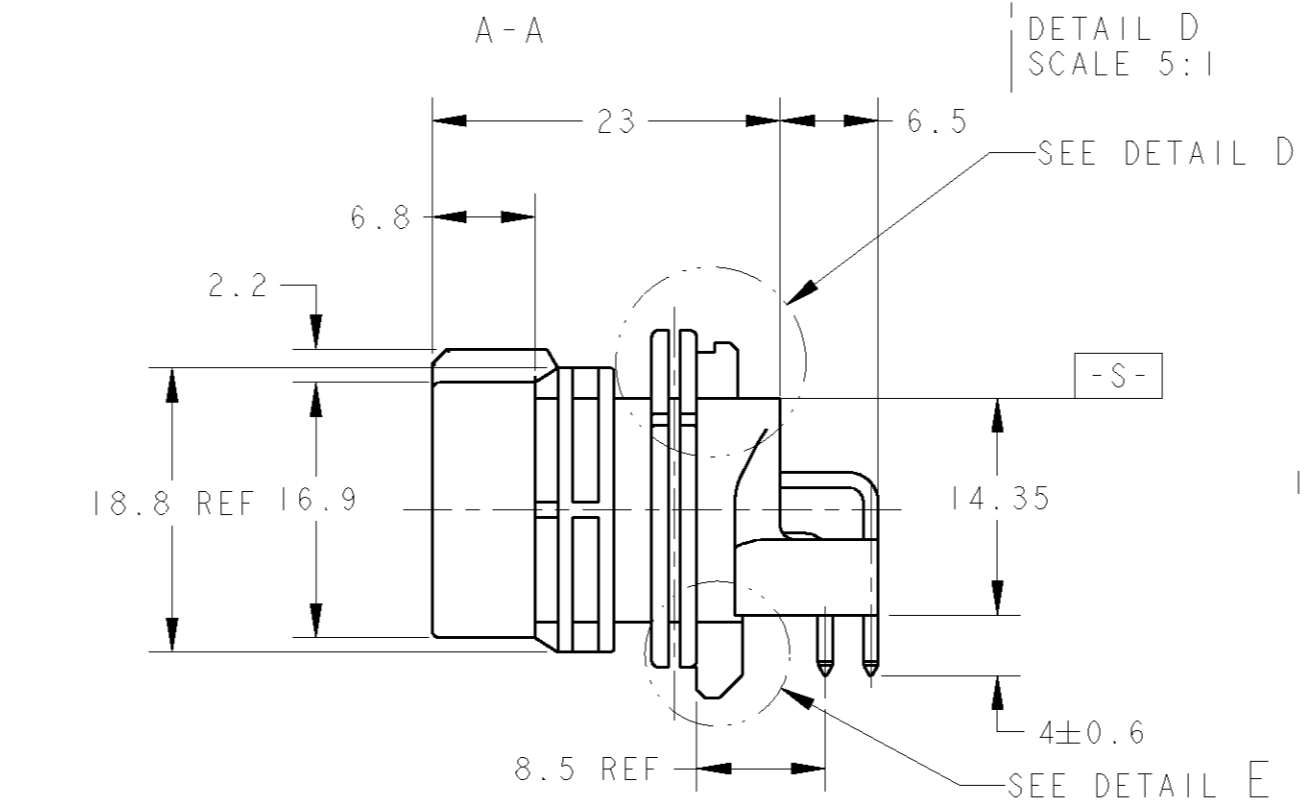
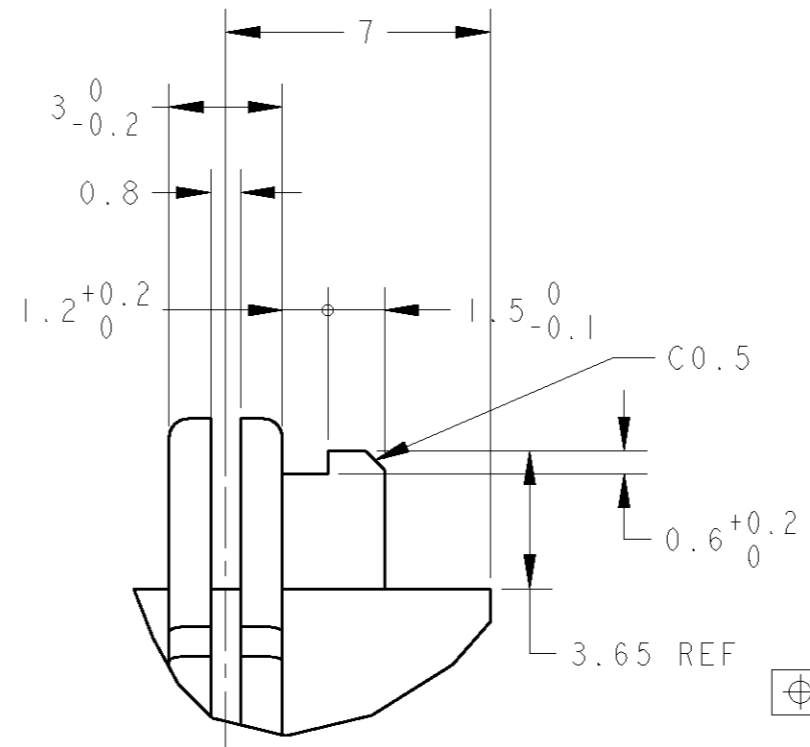
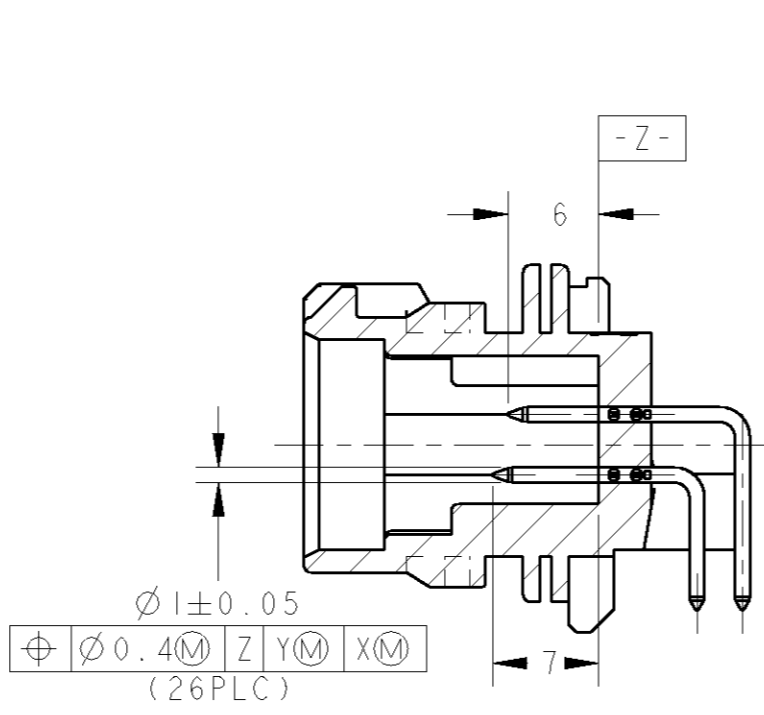
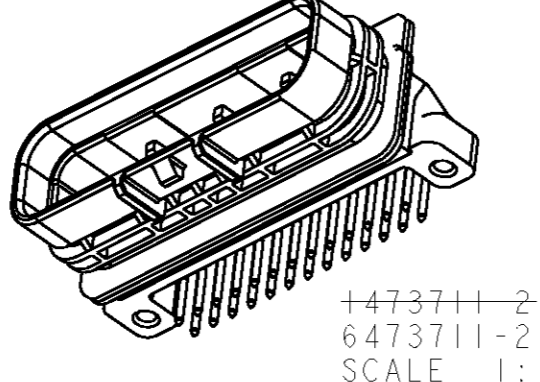
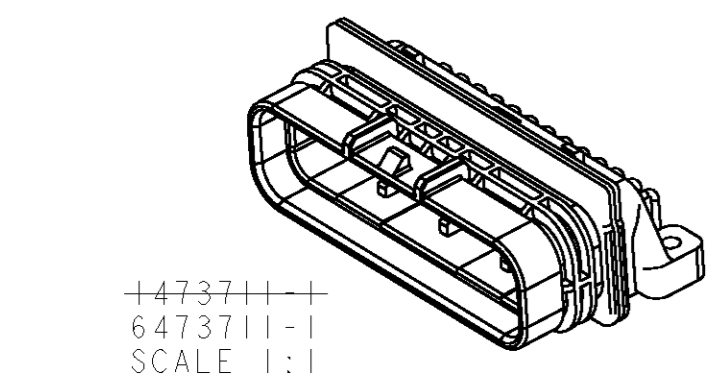
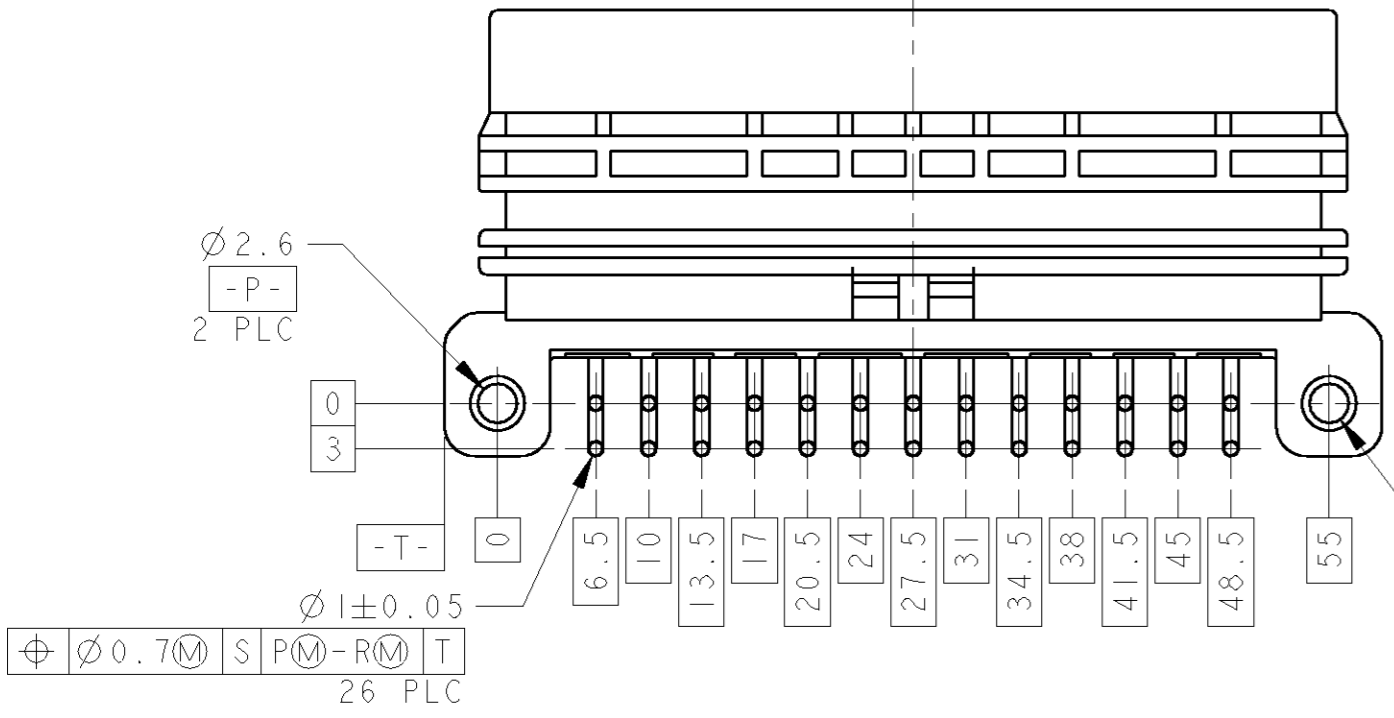
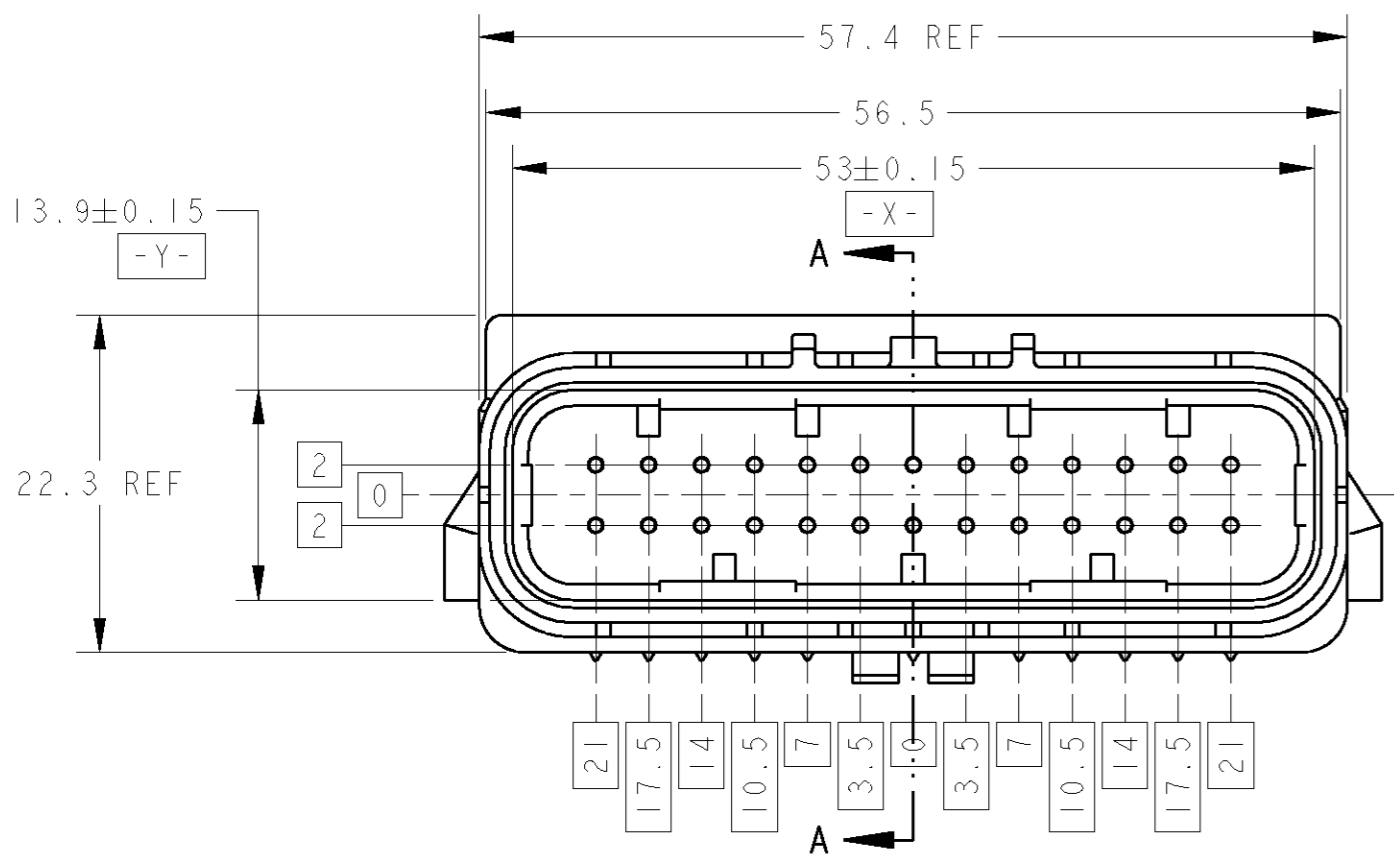
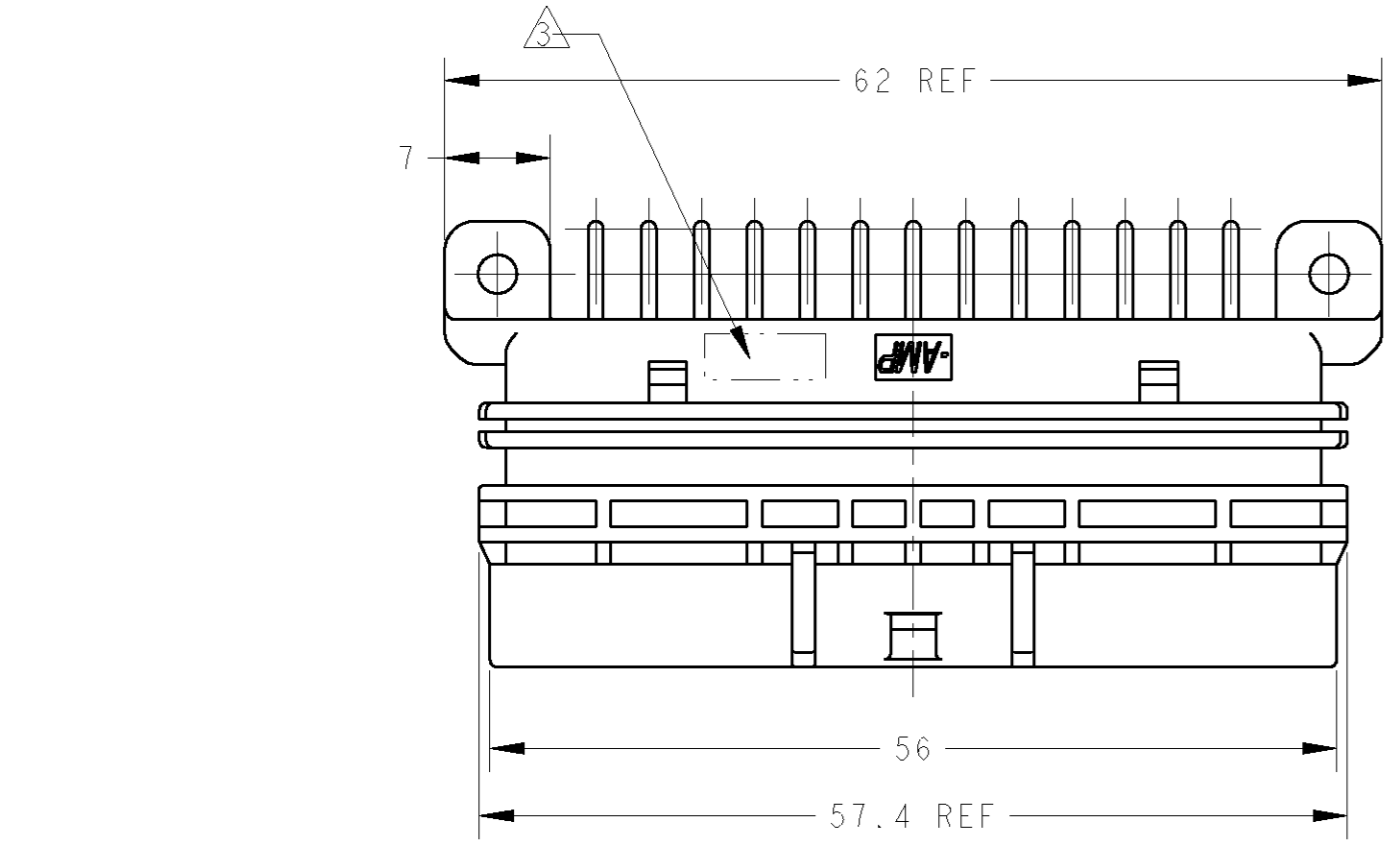


THIS DRAWING IS UNPUBLISHED. RELEASED FOR PUBLICATION 20  
 © COPYRIGHT 20 BY TYCO ELECTRONICS CORPORATION. ALL RIGHTS RESERVED.

LOC		DIST		REVISIONS			
P	LTR	DESCRIPTION	DATE	DWN	APVD		
	A	REVISED	ECR-09-008889	21APR09	TS	KB	



1. 図中指示なき公差は、±0.3  
 GENERAL TOLERANCE : ±0.3  
 材料 キャップハウジング: PPS樹脂  
 ピンコンタクト: 黄銅 ニッケル下地 金メッキ(接点部)  
 はんだメッキ(基板側)

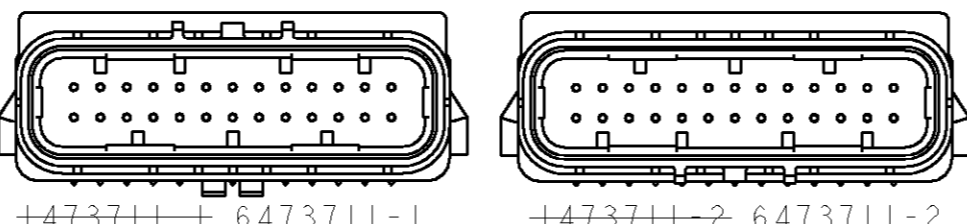
MATERIAL  
 CAP HOUSING: PPS  
 PIN CONTACT: BRASS / NICKEL UNDERPLATE  
 GOLD PLATING (CONTACT INTERFACE)  
 SOLDER PLATING (SOLDERING PORTION)

3. 当箇所製造日管理番号(ロット番号)を印字する。  
 MANUFACTURED DATE CONTROL NO.(LOT NO.)  
 AS FOLLOWING IS INDICATED

4. 基板取付けねじ  
 JIS B 1122 十字穴付きタッピングねじ  
 なべ2種 3×L (L≥6.5+基板厚)  
 先端溝付き及び溝無し (亜鉛メッキ)  
 MOUNTING SCREW  
 JIS B 1122 CROSS RECESSED PAN HEAD  
 TAPPING SCREW (ZINC PLATING)  
 TYPE 2 3×L (L=6.5+BOARD THICKNESS)

5. 推奨基板厚: ±1.6 mm  
 RECOMMENDABLE PCB THICKNESS: ±1.6 mm

6. ロックタイプ  
 ロックタイプは下記に示す。  
 LOCK TYPE  
 AS FOLLOWING IS INDICATED



本形状は上ロックタイプ +1473711-1, 6473711-1のみとする。

8. 嵌合相手型番: 1473712-1, 1473712-2  
 PART NUMBER OF PLUG ASSEMBLY TO BE MATED:  
 1473712-1, 1473712-2

材料 キャップハウジング: PPS樹脂  
 ピンコンタクト: 黄銅 ニッケル下地 金メッキ(接点部)  
 錫メッキ(基板側)

MATERIAL  
 CAP HOUSING: PPS  
 PIN CONTACT: BRASS / NICKEL UNDERPLATE  
 GOLD PLATING (CONTACT INTERFACE)  
 TIN PLATING (SOLDERING PORTION)

	△9	6473711-2	LOWER LOCK
	△9	6473711-1	UPPER LOCK
OBsolete	△2	1473711-2	LOWER LOCK
OBsolete	△2	1473711-1	UPPER LOCK
		PART NO.	LOCK TYPE

DIMENSIONS:		TOLERANCES UNLESS OTHERWISE SPECIFIED:		DWN		Tyco Electronics Corporation	
mm							Kawasaki, Japan
		0-PLC	±0.3	S. HIRANUMA	31JUL02	NAME	
		1-PLC	±0.1	CHK	31JUL02	SUPER SEAL CONNECTOR	
		2-PLC	±0.01	K. ODA		CAP HOUSING 26POS 2ROW ASSEMBLY	
		3-PLC	±0.001	APVD	31JUL02	SIZE	CAGE CODE
		4-PLC	±	K. ODA		114-78011, 78013	00779
		ANGLES	±1°00'	PRODUCT SPEC		DRAWING NO	1473711
		FINISH	-	APPLICATION SPEC		RESTRICTED TO	-
MATERIAL				114-78011, 78013		SCALE	2.1
				WEIGHT	14.9	SHEET	1
				CUSTOMER DRAWING		OF	1
						REV	A