

MICO electronic circuit protection, 4 CHANNELS

IN: 24 V DC OUT: 24 V DC / 4-6-8-10 A

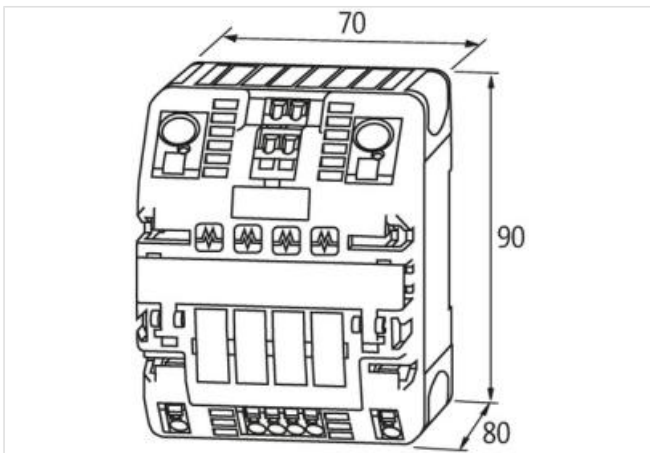
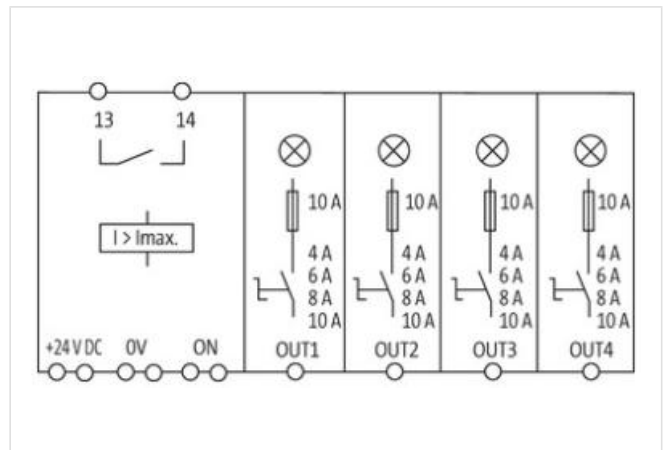
MICO 4.10

4 channels

Current adjustment 4, 6, 8, 10 A

[Link to Product](#)

Illustration



Product may differ from Image



General data

Mounting method	DIN-rail mountable TH35 (EN 60715)
Temperature range	0...+55 °C (storage temperature -40...+80 °C)
Connection	Spring clamp terminals
Dimensions HxWxD	90x70x80 mm
Bridging concept	two sides, with spring clamp terminals or bridge set (max. 40 A)
Output terminals	per output 1 x 4 mm ²
Input terminals	2 x 16 mm ²

The information in this brochure has been compiled with the utmost care.

Liability for the correctness completeness and topicality of the information is restricted to gross negligence. Version: 2022-09-02

Murrelektronik Inc. | 1327 Northbrook Parkway, Suite 460 | Suwanee, GA 30024 | Fon +1 770 497-9292 | Fax +1 770 497-9391 | shop@murrinc.com | shop.murrinc.com

Alarm terminals	2.5 mm ²
Output	
Inrush capacity	max. 20 mF (per channel)
Current adjustment	4 A, 6 A, 8 A, 10 A, by countersunked rotary switch, sealed

Input	
Operating voltage	24 V DC (18...30 V DC)

Control inputs	
Input voltage (ON)	10...30 V DC
Impulse length (ON)	min. 20 ms

Control outputs	
Group alarm output	potential free 30 V AC/DC, 100 mA

Mouser Electronics

Authorized Distributor

Click to View Pricing, Inventory, Delivery & Lifecycle Information:

[Murrelektronik:](#)

[9000-41034-0401000](tel:9000-41034-0401000)