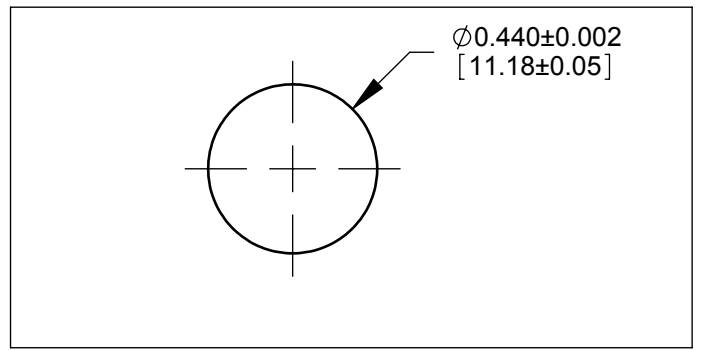
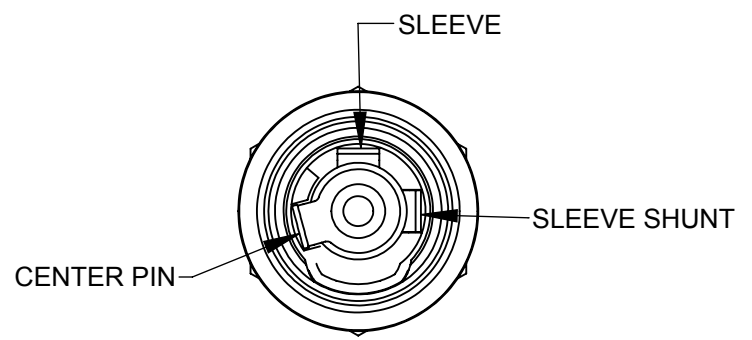
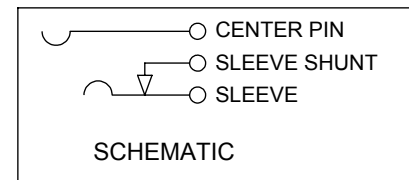


PART NUMBER	CENTER PIN / JACK SIZE	MATING POWER PLUG
L712AS	0.10 (2.5 mm)	761KS12, 761KS15, 761KS17
L722AS	0.08 (2.0 mm)	S761KS12, S761KS15, S761KS17 767KS12, 767KS15, 767KS17



RECOMMENDED PANEL MTG HOLE

- NOTES:
- DIMENSIONS SHOWN FOR REFERENCE ONLY.
 - HEX NUT, FLAT WASHER, AND PANEL O-RING SUPPLIED UNASSEMBLED
 - MATERIAL:
HOUSINGS, HEX NUT - COPPER ALLOY, NICKEL PLATED
INSULATOR HOUSING - THERMOPLASTIC
O-RINGS - NEOPRENE RUBBER, LUBRICATED WITH SYNTHETIC GREASE
TERMINAL INSULATORS - PHENOLIC
FLAT WASHER - STEEL, NICKEL PLATED
PIN, SPRING, TERMINALS - COPPER ALLOY, SILVER PLATED
 - THIS PRODUCT IS RoHS COMPLIANT

CUSTOMER DRAWING

REV	ECO NUMBER	DATE	BY	APVD
B	27029	10/01/12	AB	TJK
A	26591	8/6/10	RS	TJK

UNLESS OTHERWISE SPECIFIED

1. ALL DIMENSIONS IN INCHES
- TWO PLACE DECIMALS ±0.02
- THREE PLACE DECIMALS ±0.005

DO NOT SCALE DRAWING

THIS DRAWING DESCRIBES A DESIGN CONSIDERED PROPRIETARY IN NATURE, DEVELOPED AND MANUFACTURED BY SWITCHCRAFT INC. AND IS RELEASED ON A CONFIDENTIAL BASIS FOR IDENTIFICATION PURPOSES ONLY.									
SIZE	WIDTH	MULT	LBS/M	TEMPER					
FINISH					MATERIAL				
SPEC No.					SPEC No.				
FIRST USED ON			SCALE						
			2:1						
DATE DRAWN	BY	CHKD	APVD						
7/23/09	PNK	RS	TJK						
		8/6/10	8/6/10						
NAME			SEALED POWER JACKS		PART No.		REV		
			SOLDER LUG, RoHS		L712AS, L722AS		B		