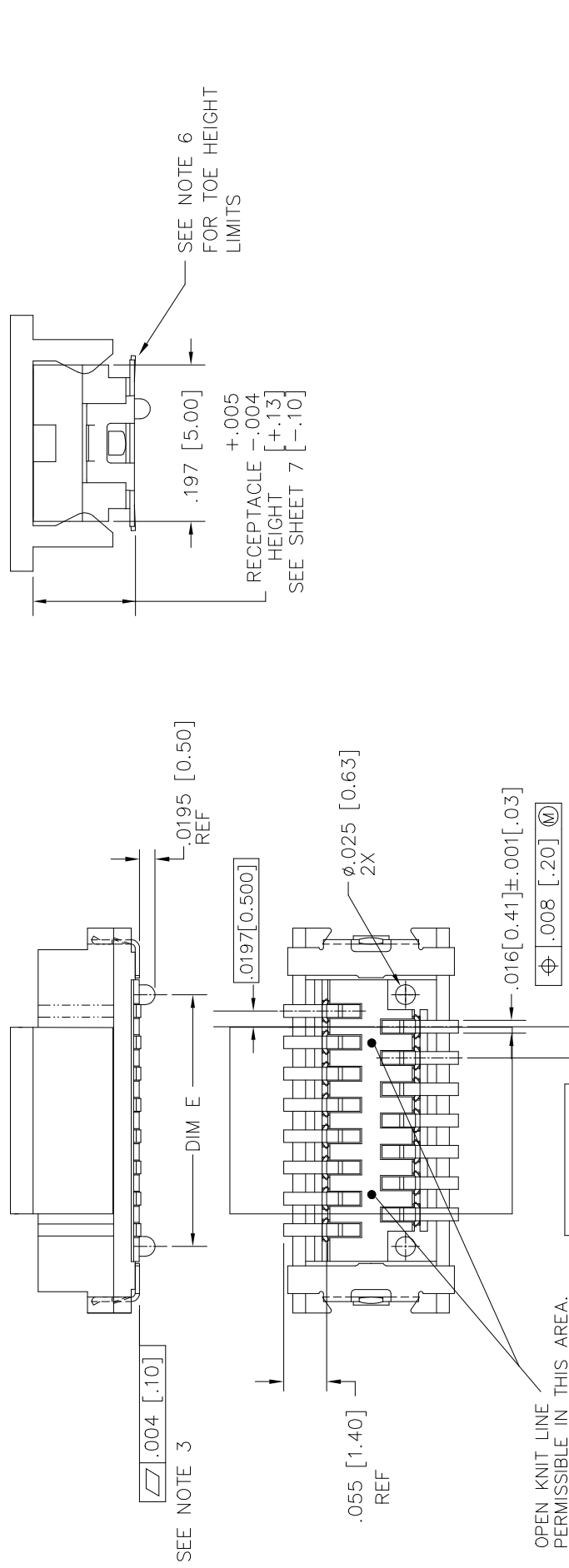
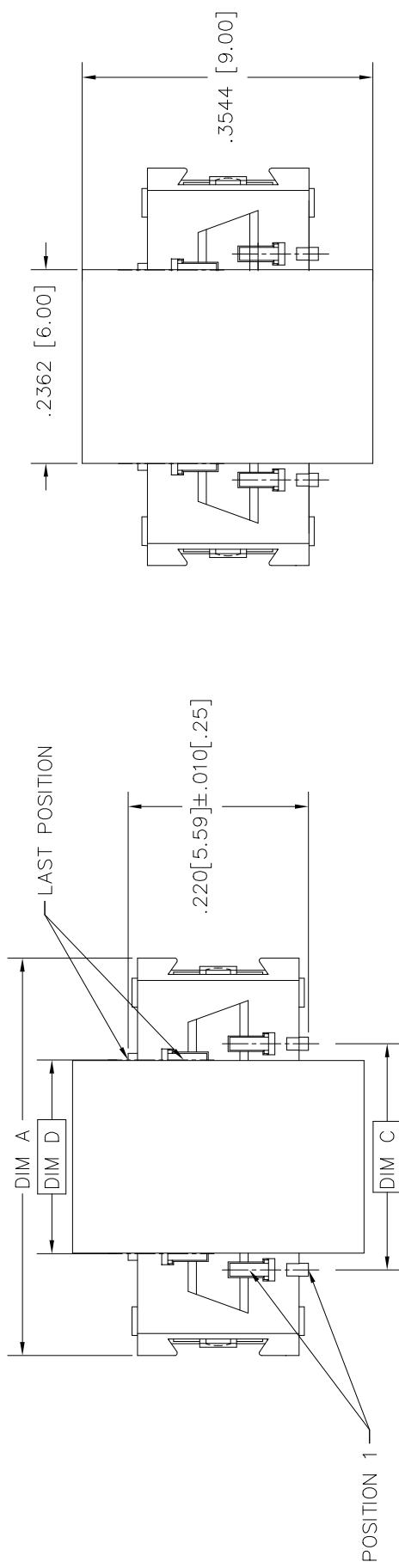


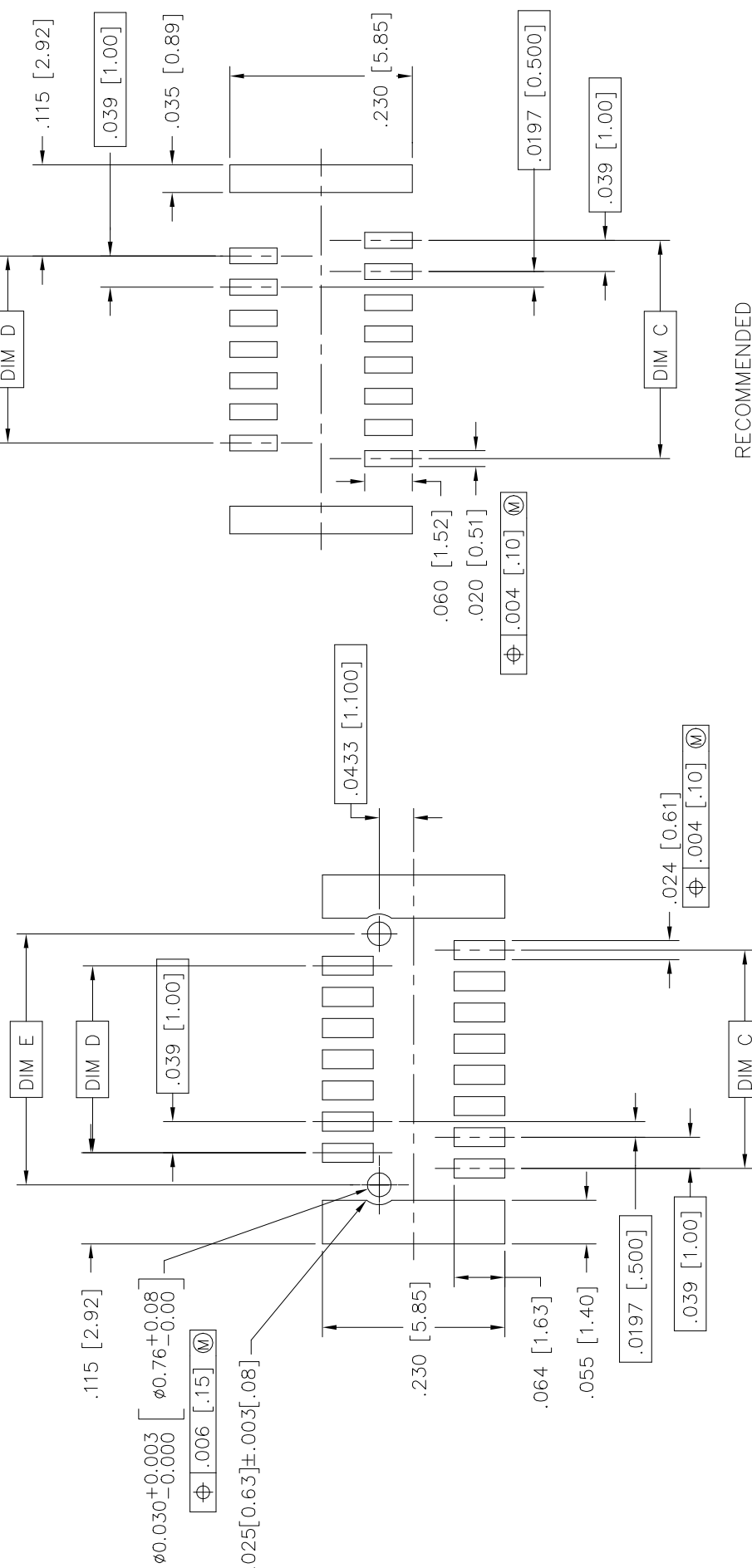
|                                       |  |            |  |            |  |                          |  |                           |  |
|---------------------------------------|--|------------|--|------------|--|--------------------------|--|---------------------------|--|
| mat'l. code                           |  | surface    |  | tolerance  |  | projection               |  | product family            |  |
| ISO 1302                              |  | ISO 406    |  | ISO 1101   |  | CONAN®                   |  | CONAN®                    |  |
| tolerances unless otherwise specified |  | angles     |  | linear     |  | INCH/MM                  |  | title                     |  |
| .0±.30                                |  | .00±.20    |  | .000±.10   |  | scale 1:1                |  | CONAN® CONNECTOR ASSEMBLY |  |
| 0°±x°                                 |  | Eric Huang |  | 2015-10-11 |  | dwg no                   |  | sheet 1 of 7              |  |
| 2013-03-17                            |  | TONY       |  | 2017-04-07 |  | 91900                    |  | size                      |  |
| 2015-10-11                            |  | Bob Gu     |  | 2020-06-04 |  | A3                       |  | type                      |  |
| 2015-12-12                            |  | LQ Lei     |  | 2020-06-04 |  | Product Customer Drawing |  |                           |  |
| 2017-04-07                            |  | Tim Yao    |  | 2020-06-04 |  |                          |  |                           |  |
| 2017-04-26                            |  | AM         |  | AN         |  |                          |  |                           |  |
| 2019-12-17                            |  | sheet      |  | 1          |  |                          |  |                           |  |
| 2020-06-04                            |  | revision   |  | 7          |  |                          |  |                           |  |
| AL                                    |  | AM         |  | AN         |  |                          |  |                           |  |
| AN                                    |  | sheet      |  | 2          |  |                          |  |                           |  |
| index                                 |  | 1          |  | 7          |  |                          |  |                           |  |

PRODUCT NUMBER  
SEE TABLE



| itr   | ecn      | no | dr | date | surface                               | tolerance        | projection | product family            |
|-------|----------|----|----|------|---------------------------------------|------------------|------------|---------------------------|
| AN    |          |    |    |      | ISO 1302                              | ISO 406 ISO 1101 | 1101       | CONAN®                    |
|       |          |    |    |      | tolerances unless otherwise specified |                  |            | title                     |
|       |          |    |    |      | angles                                | .0±.30           | INCH/MM    | CONAN® CONNECTOR ASSEMBLY |
|       |          |    |    |      | linear                                | .00±.20          |            | dwg no                    |
|       |          |    |    |      | 0°±x°                                 | .000±.10         | scale 1:1  | sheet 2 of 7              |
|       |          |    |    |      | dr                                    | Eric Huang       | 2019-12-17 | size                      |
|       |          |    |    |      | engr                                  | Bob Gu           | 2020-06-04 | A3                        |
|       |          |    |    |      | chr                                   | LQ Lei           | 2020-06-04 | type                      |
|       |          |    |    |      | appd                                  | Tim Yao          | 2020-06-04 | Product Customer Drawing  |
| sheet | revision |    |    |      |                                       |                  |            |                           |
| index | sheet    |    |    |      |                                       |                  |            |                           |

PRODUCT NUMBER  
SEE TABLE



RECOMMENDED  
STENCIL LAYOUT  
FOR RECEPTACLE

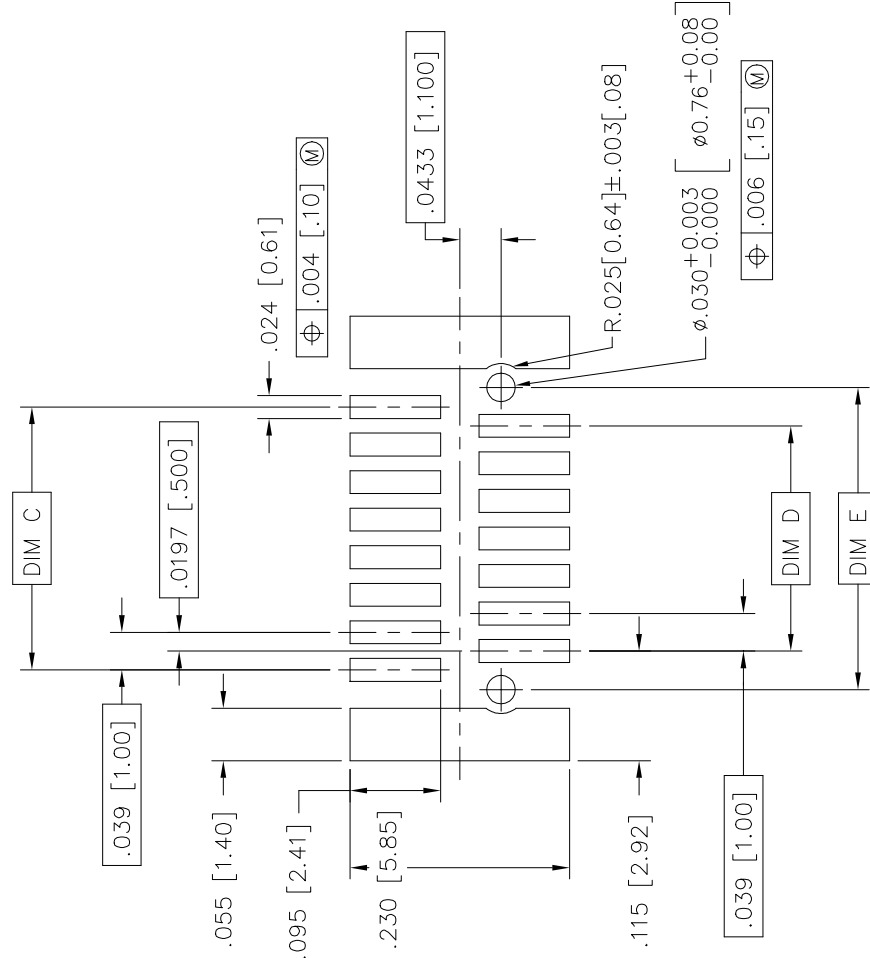
RECOMMENDED  
PAD LAYOUT

|             |                |                                       |                  |            |                           |
|-------------|----------------|---------------------------------------|------------------|------------|---------------------------|
| mat'l. code |                | surface                               | tolerance        | projection | product family            |
|             |                | ISO 1302                              | ISO 406 ISO 1101 | 1101       | CONAN®                    |
| itr         |                | tolerances unless otherwise specified |                  |            |                           |
| ecn         | no             | angles                                | linear           | INCH/MM    | title                     |
| AN          |                | 0°±x°                                 | .00±.20          | scale 1:1  | CONAN® CONNECTOR ASSEMBLY |
| date        |                | dr                                    | Eric Huang       | 2019-12-17 | dwg no                    |
|             |                | enfr                                  | Bob Gu           | 2020-06-04 | sheet 3 of 7              |
|             |                | chr                                   | LQ Lei           | 2020-06-04 | 91900                     |
|             |                | appd                                  | Tim Yao          | 2020-06-04 | A3                        |
| sheet index | revision sheet | type Product Customer Drawing         |                  |            |                           |

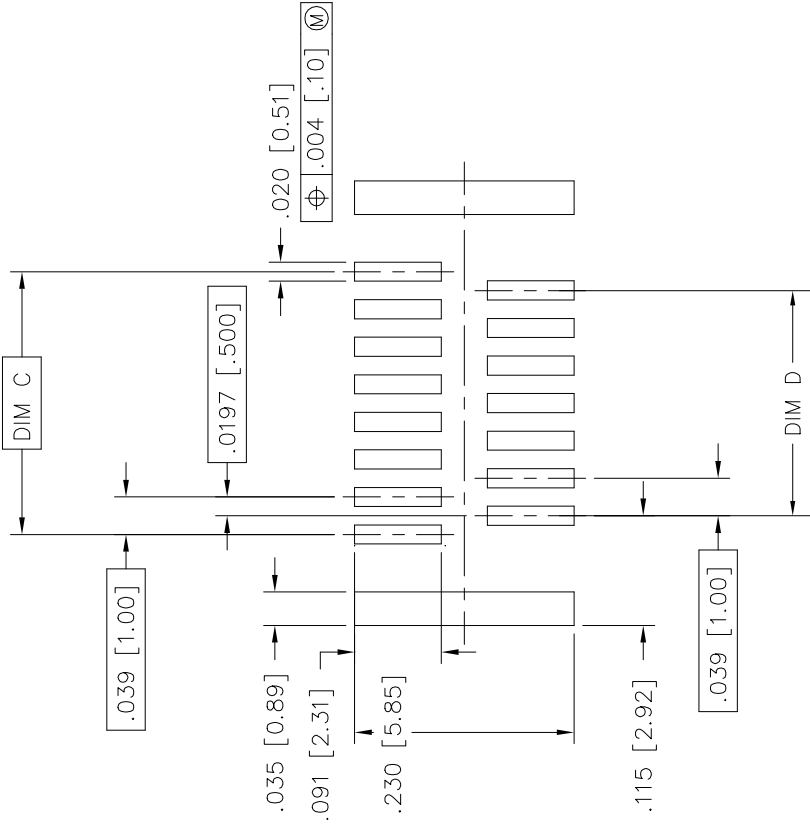


PRODUCT NUMBER  
SEE TABLE

1 | 2 | 3 | 4 | 5 | 6



RECOMMENDED  
PAD LAYOUT



RECOMMENDED  
STENCIL LAYOUT  
FOR HEADER

|             |          |                                       |            |            |                           |
|-------------|----------|---------------------------------------|------------|------------|---------------------------|
| mat'l. code |          | surface                               | tolerance  | projection | product family            |
| itr         | ecn      | ISO 1302                              | ISO 406    | ISO 1101   | CONAN®                    |
| AN          |          | tolerances unless otherwise specified |            | INCH/MM    | title                     |
|             | no.dr    | angles                                | .0±.30     | linear     | CONAN® CONNECTOR ASSEMBLY |
|             | date     | 0°±x°                                 | .00±.20    | scale 1:1  | dwg no                    |
|             |          | dr                                    | Eric Huang | 2019-12-17 | sheet 5 of 7              |
|             |          | enfr                                  | Bob Gu     | 2020-06-04 | 91900                     |
|             |          | chr                                   | LQ Lei     | 2020-06-04 | A3                        |
|             |          | appd                                  | Tim Yao    | 2020-06-04 | type                      |
| sheet index | revision | Product Customer Drawing              |            |            |                           |
|             | sheet    |                                       |            |            |                           |

| PRODUCT NUMBER | POS | DIM "A"       | DIM "C"       | DIM "D"       | DIM "E"         |
|----------------|-----|---------------|---------------|---------------|-----------------|
| 919TC-WXY09    | 9   | .366 [9.30]   | .157 [4.00]   | .118 [3.00]   | .1990 [5.055]   |
| ↑ -WXY09LF     |     |               |               |               |                 |
| -WXY11         | 11  | .406 [10.30]  | .197 [5.00]   | .157 [4.00]   | .2380 [6.045]   |
| -WXY11LF       |     |               |               |               |                 |
| -WXY15         | 15  | .484 [12.30]  | .276 [7.00]   | .236 [6.00]   | .3170 [8.052]   |
| -WXY15LF       |     |               |               |               |                 |
| -WXY21         | 21  | .602 [15.30]  | .394 [10.00]  | .354 [9.00]   | .4350 [11.049]  |
| -WXY21LF       |     |               |               |               |                 |
| -WXY25         | 25  | .681 [17.30]  | .472 [12.00]  | .433 [11.00]  | .5140 [13.056]  |
| -WXY25LF       |     |               |               |               |                 |
| -WXY31         | 31  | .800 [20.30]  | .591 [15.00]  | .551 [14.00]  | .6320 [16.053]  |
| -WXY31LF       |     |               |               |               |                 |
| -WXY41         | 41  | .996 [25.30]  | .787 [20.00]  | .748 [19.00]  | .8290 [21.057]  |
| -WXY41LF       |     |               |               |               |                 |
| -WXY51         | 51  | 1.193 [30.30] | .984 [25.00]  | .945 [24.00]  | 1.0260 [26.060] |
| -WXY51LF       |     |               |               |               |                 |
| -WXY69         | 69  | 1.547 [39.30] | 1.339 [34.00] | 1.299 [33.00] | 1.3800 [35.052] |
| ↑ -WXY69LF     |     |               |               |               |                 |

A

B

C

D

NOTES:

- MATERIALS:  
RECEPTACLE HOUSING - LCP, UL-94V-0. COLOR: NATURAL.  
RECEPTACLE TERMINALS - COPPER ALLOY  
PLATED WITH 15u"/.38u GXT™ IN CONTACT AREA  
AND 100u"/2.54u Sn ON SOLDER LEGS WITH  
AN OVERALL 50u"/1.27u Ni UNDERPLATE.  
HEADER HOUSING - LCP, UL-94V-0. COLOR: NATURAL.  
HEADER TERMINALS - COPPER ALLOY,  
PLATED WITH 15u"/.38u GXT™ IN CONTACT AREA  
AND 100u"/2.54u Sn ON SOLDER LEGS WITH  
AN OVERALL 50u"/1.27u Ni UNDERPLATE.  
RETENTION DEVICE - BRASS,  
PLATED WITH 100u"/2.54u Sn OVER NICKEL.
- REFERENCE GS-12-006 FOR PRODUCT PERFORMANCE DATA.
- SEE TA-774 FOR FURTHER DESCRIPTION OF HOW THIS DIMENSION IS APPLIED.
- PICK AND PLACE CAP OR TAPE IS ONLY AVAILABLE WITH OPTION 3 PACKAGING. (PSA ADHESIVE SEALED). ALSO, PSA PACKAGING REQUIRES A PICK AND PLACE CAP.
- RECOMMENDED SOLDER PASTE THICKNESS IS .006 TO .008 INCHES THICK.
- THE TOE HEIGHT OF THE SOLDER TAIL SHALL BE MEASURED FROM THE LOWEST POINT OF THE .004 CO-PLANARITY GRAVITY PLANE. THIS MEASUREMENT IS NOT TO EXCEED A WINDOW OF .000 TO .007 INCHES.
- THREE SLOTS MAY BE LOCATED AT EITHER END OF HOUSING.
- 5.50mm MATED HEIGHT IS ONLY AVAILABLE IN 9, 15 AND 31 POS.
- 7.50mm MATED HEIGHT IS ONLY AVAILABLE IN 9 POS.
- APPLIES TO 91921-3XYZZ AND 91931-3XYZZ OPTIONS ONLY.
- THE HOUSING WILL WITHSTAND EXPOSURE TO 260°C PEAK TEMPERATURE FOR 30 SECONDS IN A CONVECTION INFRA RED OR VAPOR PHASE REFLOW OVEN. SEE APPLICATION/PROCEDURES IF THEY ARE AVAILABLE
- PRODUCT WITH "LF" AT THE END MEETS EUROPEAN UNION DIRECTIVES AND OTHER COUNTRY REGULATION AS DESCRIBED IN GS-22-008.

|                                       |  |            |           |            |                           |
|---------------------------------------|--|------------|-----------|------------|---------------------------|
| mat'l. code                           |  | surface    | tolerance | projection | product family            |
| ISO 1302                              |  | ISO 406    | ISO 1101  | CONAN®     |                           |
| tolerances unless otherwise specified |  | angles     |           | linear     | title                     |
| 0±x°                                  |  | .00±.30    |           | INCH/MM    | CONAN® CONNECTOR ASSEMBLY |
| dr                                    |  | .000±.10   |           | scale 1:1  | dwg no                    |
| Eric Huang                            |  | 2015-10-11 |           |            | sheet6 of 7               |
| engr                                  |  | Bob Gu     |           |            | 91900                     |
| chr                                   |  | LQ Lei     |           |            | A3                        |
| appd                                  |  | Tim Yao    |           |            | type                      |
| revision                              |  |            |           |            | Product Customer Drawing  |
| sheet                                 |  |            |           |            |                           |
| index                                 |  |            |           |            |                           |

CONAN® ASSEMBLY PART NUMBER

919 T C - W X Y ZZ LF

LEAD FREE OPTION  
SEE NOTE 12

| TYPE                    | T |
|-------------------------|---|
| HEADER WITH NO PEGS     | 0 |
| HEADER WITH PEGS        | 1 |
| RECEPTACLE WITH NO PEGS | 2 |
| RECEPTACLE WITH PEGS    | 3 |

|                                     |   |
|-------------------------------------|---|
| PICK AND PLACE CAP OR TAPE (NOTE 4) | C |
| WITHOUT CAP OR TAPE                 | 0 |
| WITH CAP                            | 1 |
| WITH TAPE (RECEPTACLE ONLY)         | 2 |

|                             |   |
|-----------------------------|---|
| PACKAGING                   | W |
| TUBE                        | 2 |
| PRESSURE SEALED TAPE & REEL | 3 |

| Y | HEADER HEIGHT | RECEPTACLE HEIGHT           | MATED HEIGHT | NUMBER OF POSITIONS |
|---|---------------|-----------------------------|--------------|---------------------|
| 1 | .034 [.86]    | .129 [3.28]                 | .163 [4.15]  | 9                   |
| 2 | .048 [1.23]   | SEE Y=1 FOR ALL RECEPTACLES | .177 [4.50]  | 11                  |
| 3 | .068 [1.73]   |                             | .197 [5.00]  | 15                  |
| 4 | .107 [2.72]   |                             | .236 [6.00]  | 21                  |
| 5 | .1465 [3.721] |                             | .276 [7.00]  | 25                  |
| 6 | .088 [2.23]   |                             | .216 [5.50]  | 31                  |
| 7 | .1665 [4.229] |                             | .296 [7.52]  | 41                  |
|   |               |                             |              | 51                  |
|   |               |                             | 69           |                     |

\* NOTE 8  
\* \* NOTE 9

| X | PLATING        |
|---|----------------|
| 1 | 15u"/.38u GXT™ |
| 2 | 30u"/.76u GXT™ |
| 3 | Au 30u"/.76u   |

EXAMPLE: 91921-31125LF IS A CONAN® RECEPTACLE ASSEMBLY, HAVING NO PEGS AND WITH A PICK AND PLACE CAP. IT ALSO HAS GXT™ PLATING, IS .13 [3.2] HIGH AND 25 POSITIONS AND IS PACKAGED IN PRESSURE SEALED TAPE, REEL AND LEAD FREE.

| mat'l. code                           |                | surface                       | tolerance  | projection | product family            |
|---------------------------------------|----------------|-------------------------------|------------|------------|---------------------------|
| ISO 1302                              | ISO 406        | ISO 1101                      | ISO 1101   | CONAN®     |                           |
| tolerances unless otherwise specified |                | angles                        | .0±.30     | INCH/MM    | title                     |
|                                       |                | linear                        | .00±.20    | scale 1:1  | CONAN® CONNECTOR ASSEMBLY |
|                                       |                | 0°±x°                         | .000±.10   | dwg no     | sheet 7 of 7              |
|                                       |                | dr                            | Eric Huang | 2015-10-11 | 91900                     |
|                                       |                | engr                          | Bob Gu     | 2020-06-04 | A3                        |
|                                       |                | chr                           | LQ Lei     | 2020-06-04 |                           |
|                                       |                | appd                          | Tim Yao    | 2020-06-04 |                           |
| sheet index                           | revision sheet | type Product Customer Drawing |            |            |                           |

1 2 3 4 5 6

A B C D