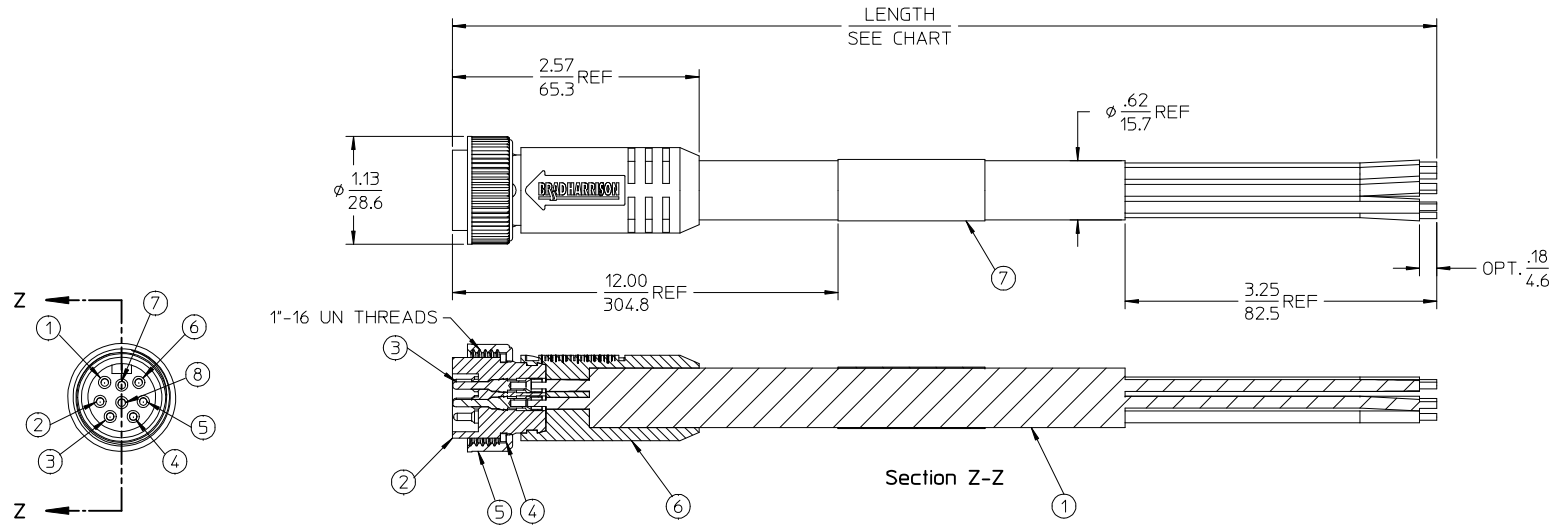
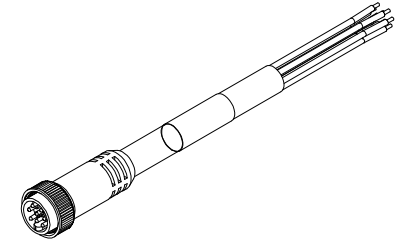


PART NUMBER	ENGINEERING NO.	LENGTH
1300070197	208002A01F030	3' 0" +1.75 - 0 [.9M +44.5 - 0]
1300070199	208002A01F060	6' 0" +2.19 - 0 [1.8M +55.6 - 0]
1300070202	208002A01F120	12' 0" +3.50 - 0 [3.7M +88.9 - 0]
1300070204	208002A01F120	20' 0" +6.50 - 0 [6.1M +165.1 - 0]



NOTES:

1. MATERIAL: SEE TABLE
2. FINISHES: SEE TABLE
3. CABLE ASSEMBLIES ARE BAGGED SEPERATELY IN POLY BAGS WITH BARCODE LABEL ATTACHED TO OUTSIDE OF BAG
4. WRAP LABEL IS MARKED WITH P/N, DATE CODE VOLTAGE & AMPERAGE
5. MATES WITH: MINI CHANGE, B-SIZE 8 POLE RECEPTACLE
6. ELECTRICAL SPECIFICATIONS:
VOLTAGE RATING: 600V
CURRENT RATING: 7 AMPS
7. ASSEMBLY IS RoHS COMPLIANT

S1	
1	ORANGE
2	BLUE
3	WHITE/BLACK
4	BLACK
5	WHITE
6	RED
7	GREEN/YELLOW
8	RED/BLACK

WIRING DIAGRAM

ITEM	QTY.	DESCRIPTION	MATERIAL	FINISH
7	1	LABEL	PLASTIC FILM	BLACK/YELLOW
6	1	OVERMOLD	PVC	YELLOW
5	1	COUPLING NUT	ZINC DIE CAST	BLACK
4	1	FRICITION RING	NYLON	NATURAL
3	8	PIN CONTACT 16 AWG	BRASS	GOLD PLATED
2	1	INSERT, FEMALE, 8 POLE	PVC	YELLOW
1	1	CABLE, 16-8 ST00W/ST	PVC JACKET	YELLOW

RELEASED EC NO: MNA2009-0795 DRAWN: BRUPERT 2009/06/02 CHKD: BRUPERT APPR: J. MURPHY 2009/06/10	QUALITY SYMBOLS ▽=0 ▽=0	GENERAL TOLERANCES (UNLESS SPECIFIED)		DIMENSION STYLE IN/MM		SCALE 1:1	DESIGN UNITS INCH	THIRD ANGLE PROJECTION		
		4 PLACES ± --- ± --- 3 PLACES ± --- ± --- 2 PLACES ± --- ± .01 1 PLACE ± 0.3 ± --- ANGULAR ± 1/2°	mm INCH	DRAWN BY BRUPERT	DATE 2009/04/02	TITLE MINI-CHANGE CORD ASSY MALE, B-SIZE 8 POLE		MOLEX INCORPORATED		
A	REV	DRAFT WHERE APPLICABLE MUST REMAIN WITHIN DIMENSIONS		SEE CHART		APPROVED BY J. MURPHY	DATE 2008/04/06	DOCUMENT NO. SD-130007-004		SHEET NO. 1 OF 1
		THIS DRAWING CONTAINS INFORMATION THAT IS PROPRIETARY TO MOLEX INCORPORATED AND SHOULD NOT BE USED WITHOUT WRITTEN PERMISSION								

Mouser Electronics

Authorized Distributor

Click to View Pricing, Inventory, Delivery & Lifecycle Information:

[Molex:](#)

[1300070202](#)