

NUT

NOTE:

MATERIAL

HOUSING: TPU UL94V-0, BLACK  
 CONTACT: BRASS  
 NUT: BRASS  
 O-RING: EPDM  
 SHELL: BRASS

FINISH

CONTACT: GOLD PLATED  
 OVER 50u" NICKEL  
 NUT: NICKEL PLATED  
 SHELL: NICKEL PLATED

ELECTRICAL

RATED CURRENT: 4A  
 RATED VOLTAGE: 250V  
 INSULATION RESISTANCE: 100 MOhms MIN.  
 CONTACT RESISTANCE: 10 mOhms MAX.  
 WATER PROOF: IP67

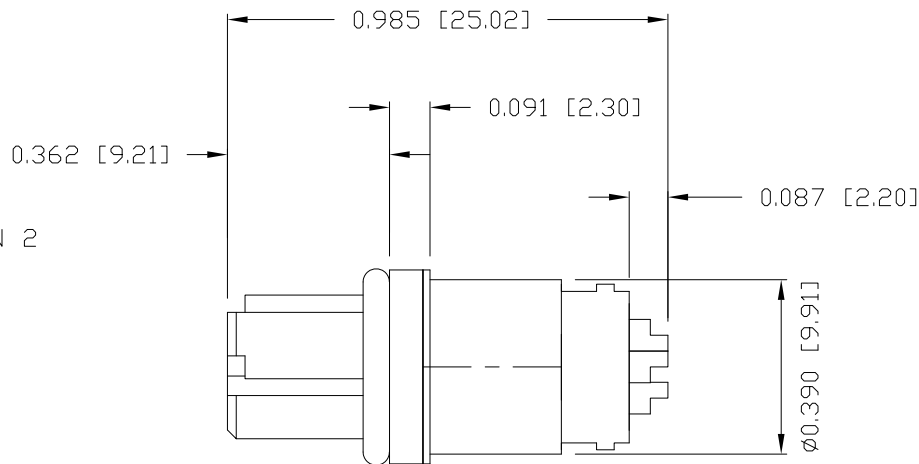
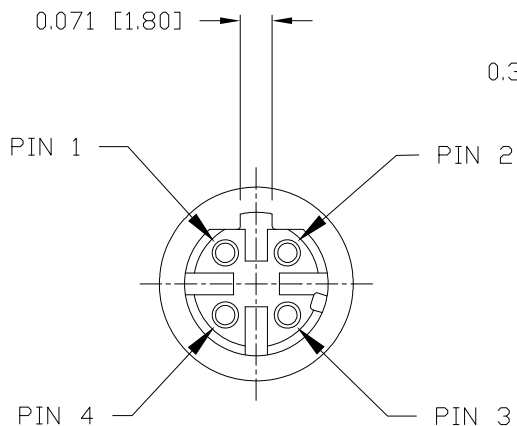
ENVIRONMENT

OPERATION TEMPERATURE: -40°C TO +85°C  
 MAX WIRE AWG: 22

858-D04-203RSSY

3 = BRASS/NICKEL (B/N) SHELL & NUT  
 S = STAINLESS STEEL (SS) SHELL & NUT  
 T = B/N SHELL / SS NUT

1 = GOLD FLASH  
 4 = 10u" GOLD



RoHS COMPLIANT

UNITS = INCHES [MM]

DO NOT SCALE FROM DRAWING



THESE DRAWINGS AND SPECIFICATIONS ARE THE PROPERTY OF NorComp AND SHALL NOT BE REPRODUCED, COPIED OR USED AS THE BASIS FOR THE MANUFACTURE OR SALE OF APPARATUS WITHOUT WRITTEN PERMISSION.

DRAWN:

M. SIGMON

DATE:

05-13-16

NorComp

SCALE:

NTS

SHEET OF

1 1

REV

3

DWG NO.

858-D04-203RSSY

# Mouser Electronics

Authorized Distributor

Click to View Pricing, Inventory, Delivery & Lifecycle Information:

[NorComp:](#)

[858-D04-203RSS4](#) [858-D04-203RSS1](#)