

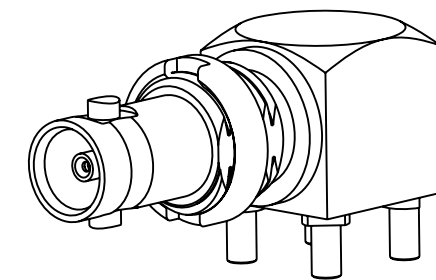
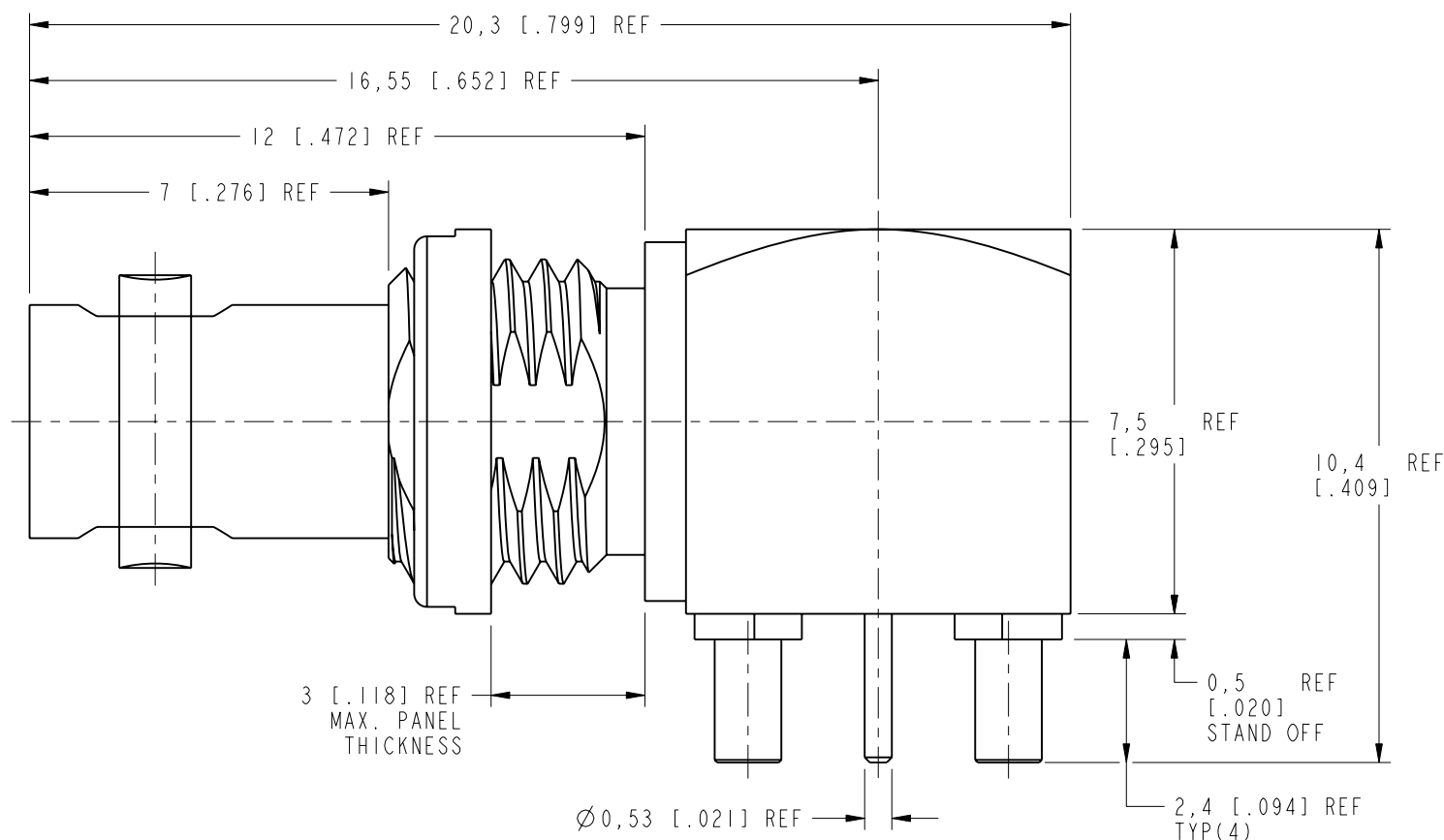
NOTES:

1. MATERIALS AND FINISHES:
 BODY,CAP & NUT - BRASS, NICKEL PLATING
 REAR BODY - BRASS, GOLD PLATING
 CONTACT - BeCu, GOLD PLATING
 INSULATORS - PTFE, NATURAL
 INSULATOR - ULTEM 1000, NATURAL
2. ELECTRICAL:
 A. IMPEDANCE: 75 OHMS
 B. FREQUENCY RANGE: DC - 18 GHz
 C. RETURN LOSS : 25 dB MIN @ DC - 6 GHz
 10 dB MIN @ 6 - 12 GHz
 D. DIELECTRIC WITHSTANDING VOLTAGE: 1000 VRMS, MIN.
 E. INSULATION RESISTANCE: 10,000 MEGAOHMS MIN
3. MECHANICAL:
 A. DURABILITY: 500 CYCLES MIN.
4. PACKAGING:
 A. QUANTITY: SINGLE PACK
 B. MARKING: BAG TO BE MARKED
 "AMPHENOL RF, 34-1030-12G & DATE CODE
 FREQUENCY RANGE: DC - 18 GHz"

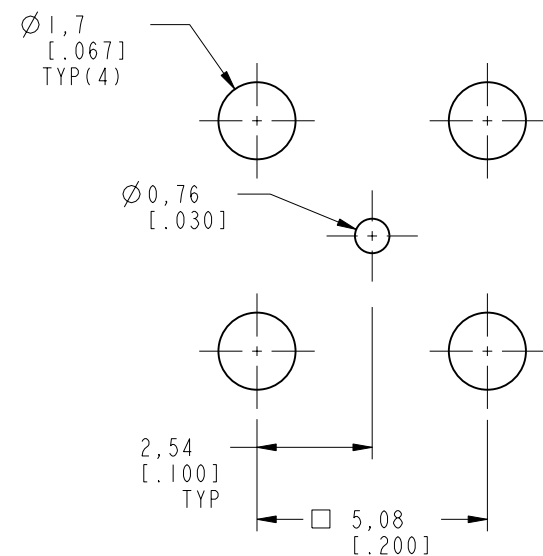
THIRD ANGLE PROJ.

REVISIONS

REV	DESCRIPTION	DATE	ECO	APPR
A	RELEASE TO MFG	03-Mar-16	51040	MJD

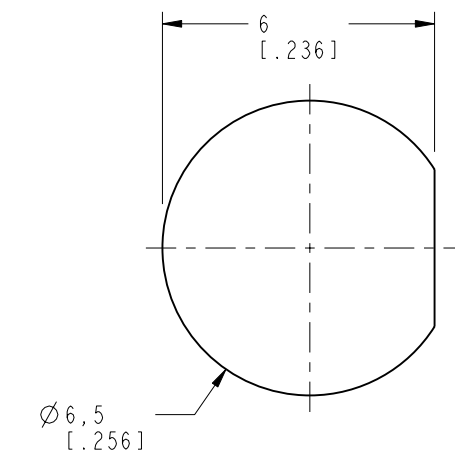
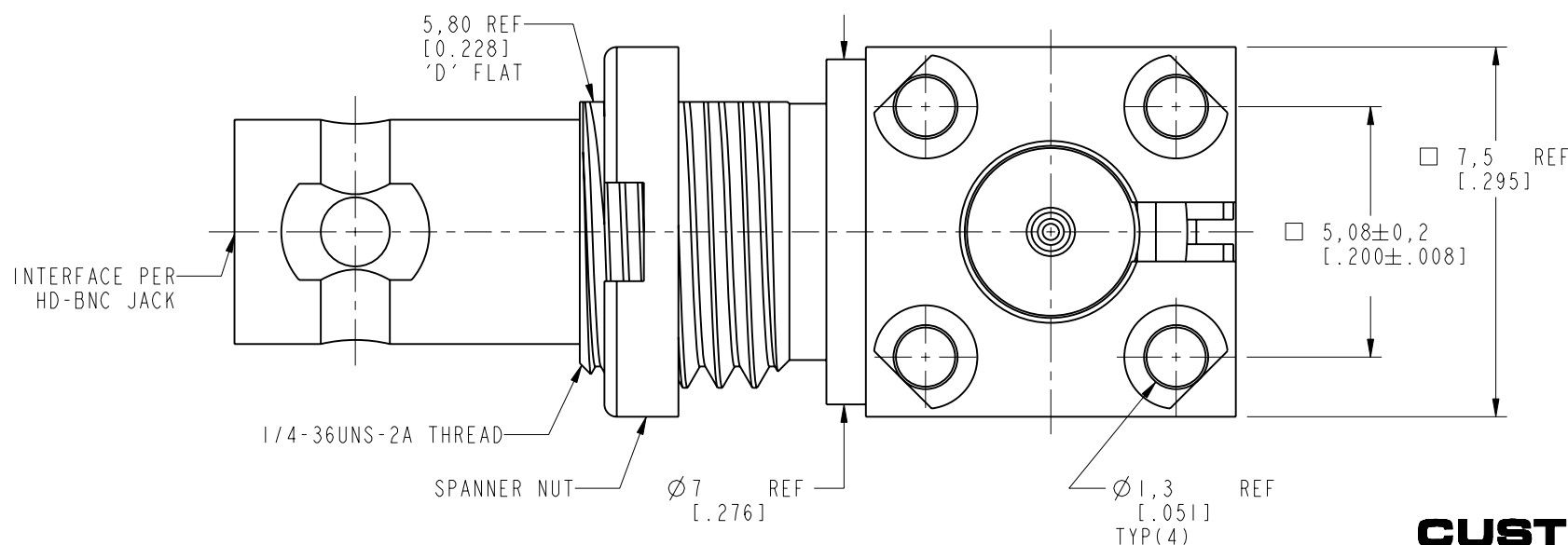


SCALE 3.000



RECOMMENDED PCB LAYOUT

SCALE 6.000



SCALE 6.000

RECOMMENDED MOUNTING HOLE DIMENSIONS

CUSTOMER OUTLINE DRAWING

ALL OTHER SHEETS ARE FOR INTERNAL USE ONLY

UNLESS OTHERWISE SPECIFIED, DIMENSIONS ARE IN METRIC AND TOLERANCES ARE:
 <0.5mm ±0.05mm 0.5 - 6mm ±0.1mm 6 - 30mm ±0.2mm 30 - 120mm ±0.3mm ANGLES ±1°

NOTICE - These drawings, specifications, or other data (1) are, and remain the property of Amphenol corp. (2) must be returned upon request; and (3) are confidential and not to be disclosed to any person other than those to whom they are given by Amphenol Corp. the furnishing of these drawings, specifications, or other data by Amphenol Corp., or to any other person to anyone for any purpose is not to be regarded by implication or otherwise in any manner licensing, granting rights to permitting such holder or any other person to manufacture, use or sell any product, process or design, patented or otherwise, that may in any way be related to or disclosed by said drawings, specifications, or other data.

MATERIAL	SEE NOTES
REFERENCE	EAR # 4028
CONFIGURATION LEVEL:	In Work
FINISH	

DRAWN	M. ZHANG	DATE	03-Mar-16
ENGINEER	KARTHIK R	DATE	19-Feb-16
APPROVED	S. HSIEH	DATE	03-Mar-16
CAD FILE			

TITLE		HD BNC RA BHD JACK PCB MOUNT	
SCALE:	7.0:1.0	SHEET	2 OF 6
DWG SIZE	B	REV	A

Amphenol RF	
www.amphenolrf.com	
DRAWING NO.	34-1030-12G
ITEM NO.	34-1030-12G
PART NO.	34-1030-12G

THIRD ANGLE PROJ.

REVISIONS

REV	DESCRIPTION	DATE	ECO	APPR
A	RELEASE TO MFG	03-Mar-16	51040	MJD

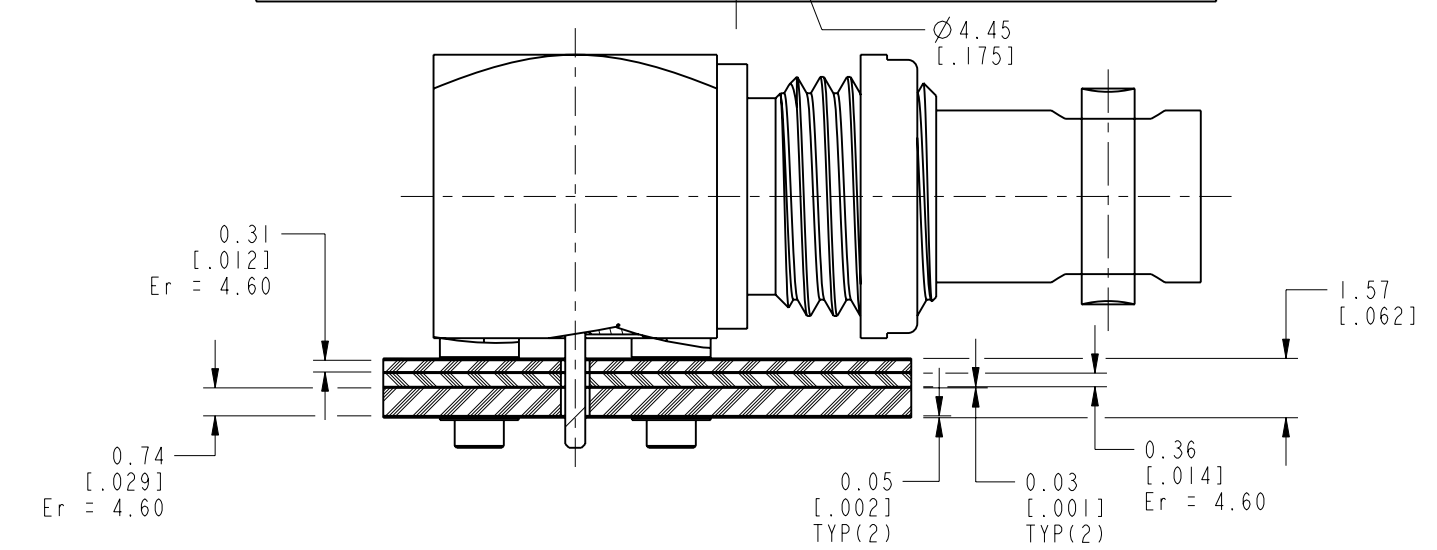
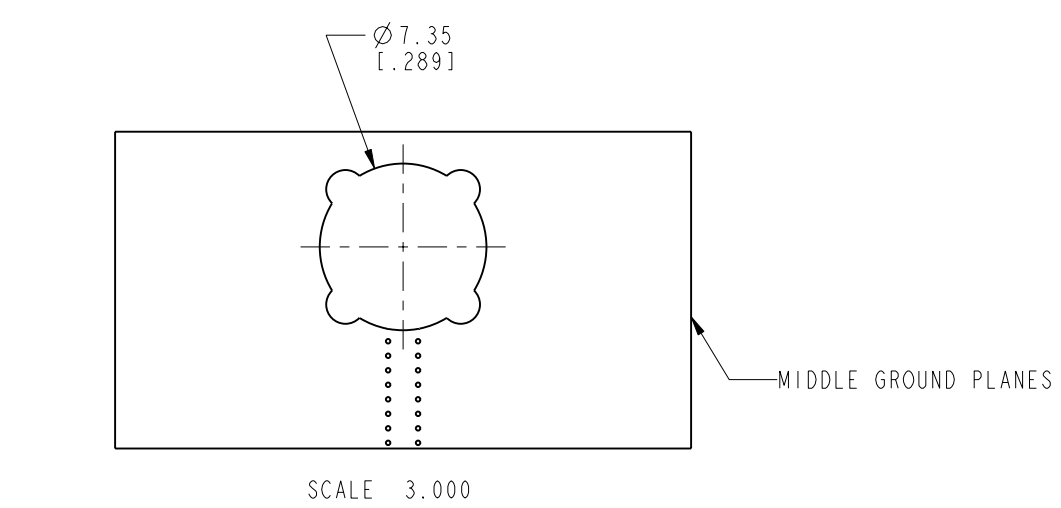
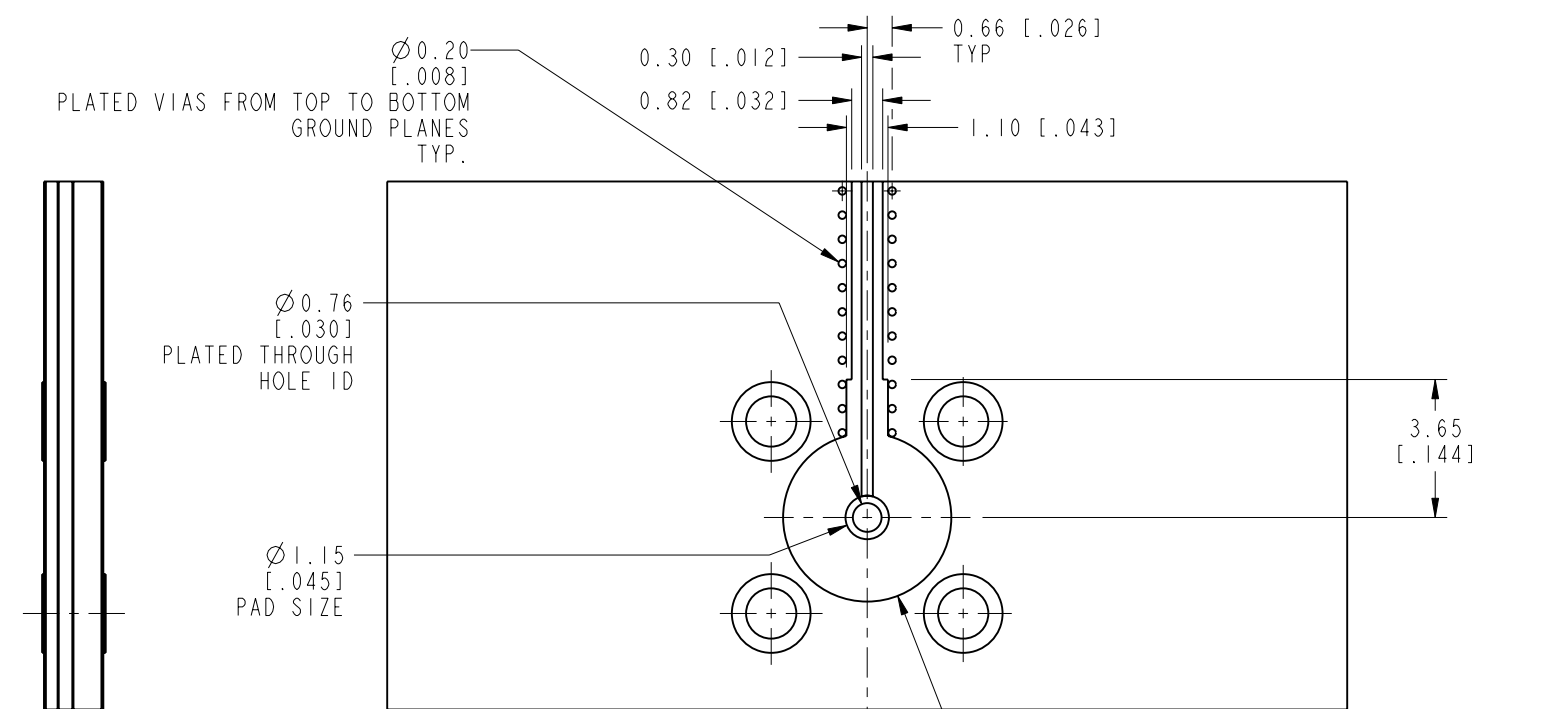
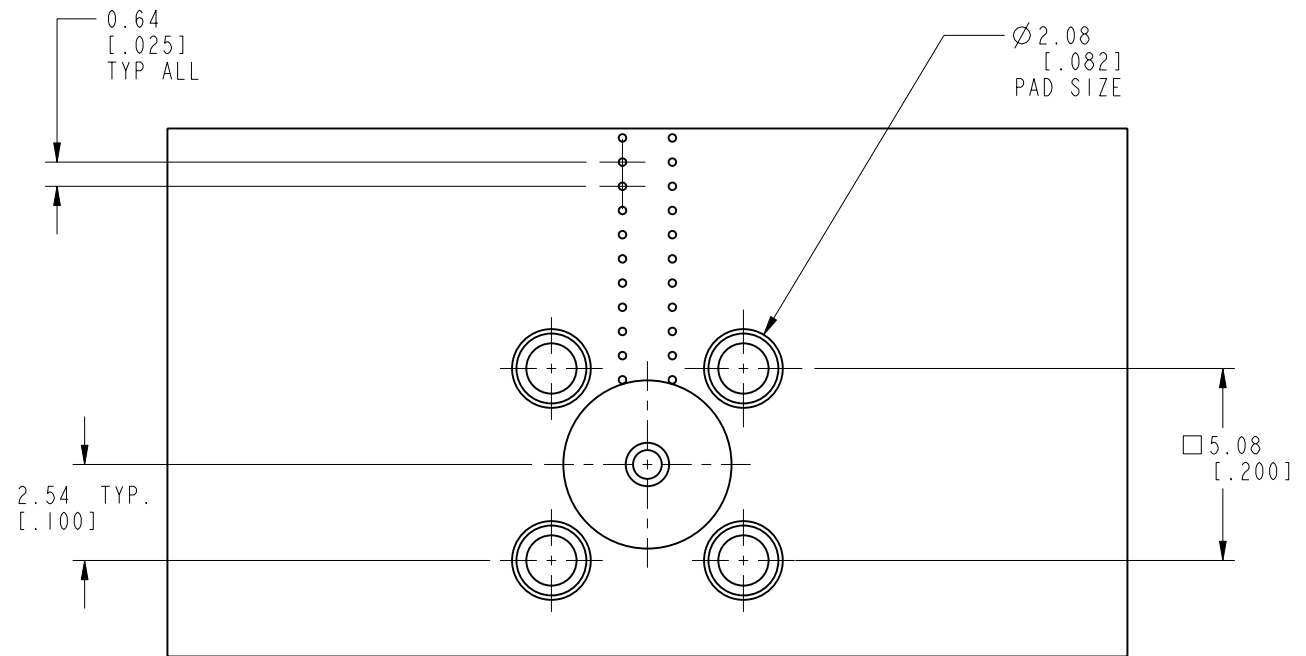
CONFIGURATION-O

RECOMMENDED PCB LAUNCH FOR OPTIMAL RF PERFORMANCE

VARIATIONS IN BOARD MATERIAL AND TRACE MAY REQUIRE DIFFERENT GEOMETRY
PLEASE CONTACT AMPHENOL RF FOR LAUNCH OPTIMIZATION

BOTTOM LAYER

TOP LAYER



UNLESS OTHERWISE SPECIFIED, DIMENSIONS ARE IN METRIC AND TOLERANCES ARE:
 < 0.5mm ± 0.05mm 0.5 - 6mm ± 0.1mm 6 - 30mm ± 0.2mm 30 - 120mm ± 0.3mm ANGLES ± 1°

NOTICE - These drawings, specifications, or other data (1) are, and remain the property of Amphenol corp. (2) must be returned upon request; and (3) are confidential and not to be disclosed to any person other than those to whom they are given by Amphenol Corp. the furnishing of these drawings, specifications, or other data by Amphenol Corp., or to any other person to anyone for any purpose is not to be regarded by implication or otherwise in any manner licensing, granting rights to permitting such holder or any other person to manufacture, use or sell any product, process or design, patented or otherwise, that may in any way be related to or disclosed by said drawings, specifications, or other data.

MATERIAL	DRAWN M. ZHANG	DATE 03-Mar-16
REFERENCE EAR # 4028	ENGINEER KARTHIK R	DATE 19-Feb-16
CONFIGURATION LEVEL: In Work	APPROVED S. HSIEH	DATE 03-Mar-16
FINISH	CAD FILE	

TITLE HD BNC RA BHD JACK PCB MOUNT
SCALE: 5.0:1.0 SHEET 3 OF 6
DWG SIZE B
REV A

Amphenol RF www.amphenolrf.com	
DRAWING NO. 34-1030-12G	
ITEM NO. 34-1030-12G	
PART NO. 34-1030-12G	

CONFIGURATION-1

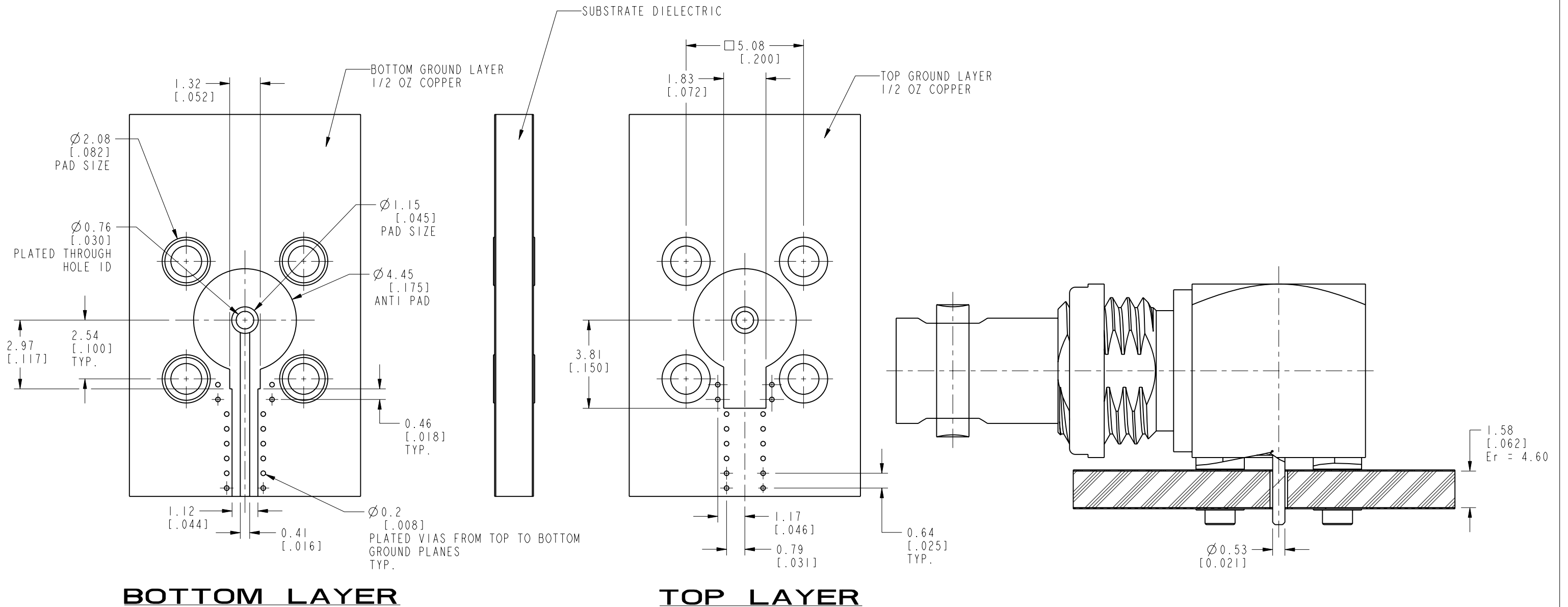
THIRD ANGLE PROJ.

REVISIONS

REV	DESCRIPTION	DATE	ECO	APPR
A	RELEASE TO MFG	03-Mar-16	51040	MJD

RECOMMENDED PCB LAUNCH FOR OPTIMAL RF PERFORMANCE

VARIATIONS IN BOARD MATERIAL AND TRACE MAY REQUIRE DIFFERENT GEOMETRY
PLEASE CONTACT AMPHENOL RF FOR LAUNCH OPTIMIZATION



UNLESS OTHERWISE SPECIFIED, DIMENSIONS ARE IN METRIC AND TOLERANCES ARE:
 < 0.5mm ± 0.05mm 0.5 - 6mm ± 0.1mm 6 - 30mm ± 0.2mm 30 - 120mm ± 0.3mm ANGLES ± 1°

NOTICE - These drawings, specifications, or other data (1) are, and remain the property of Amphenol corp. (2) must be returned upon request; and (3) are confidential and not to be disclosed to any person other than those to whom they are given by Amphenol Corp. the furnishing of these drawings, specifications, or other data by Amphenol Corp., or to any other person to anyone for any purpose is not to be regarded by implication or otherwise in any manner licensing, granting rights to permitting such holder or any other person to manufacture, use or sell any product, process or design, patented or otherwise, that may in any way be related to or disclosed by said drawings, specifications, or other data.

MATERIAL	DRAWN M. ZHANG	DATE 03-Mar-16
REFERENCE EAR # 4028	ENGINEER KARTHIK R	DATE 19-Feb-16
CONFIGURATION LEVEL: In Work	APPROVED S. HSIEH	DATE 03-Mar-16
FINISH	CAD FILE	

TITLE HD BNC RA BHD JACK PCB MOUNT
SCALE: 6.0:1.0 SHEET 4 OF 6
DWG SIZE B
REV A

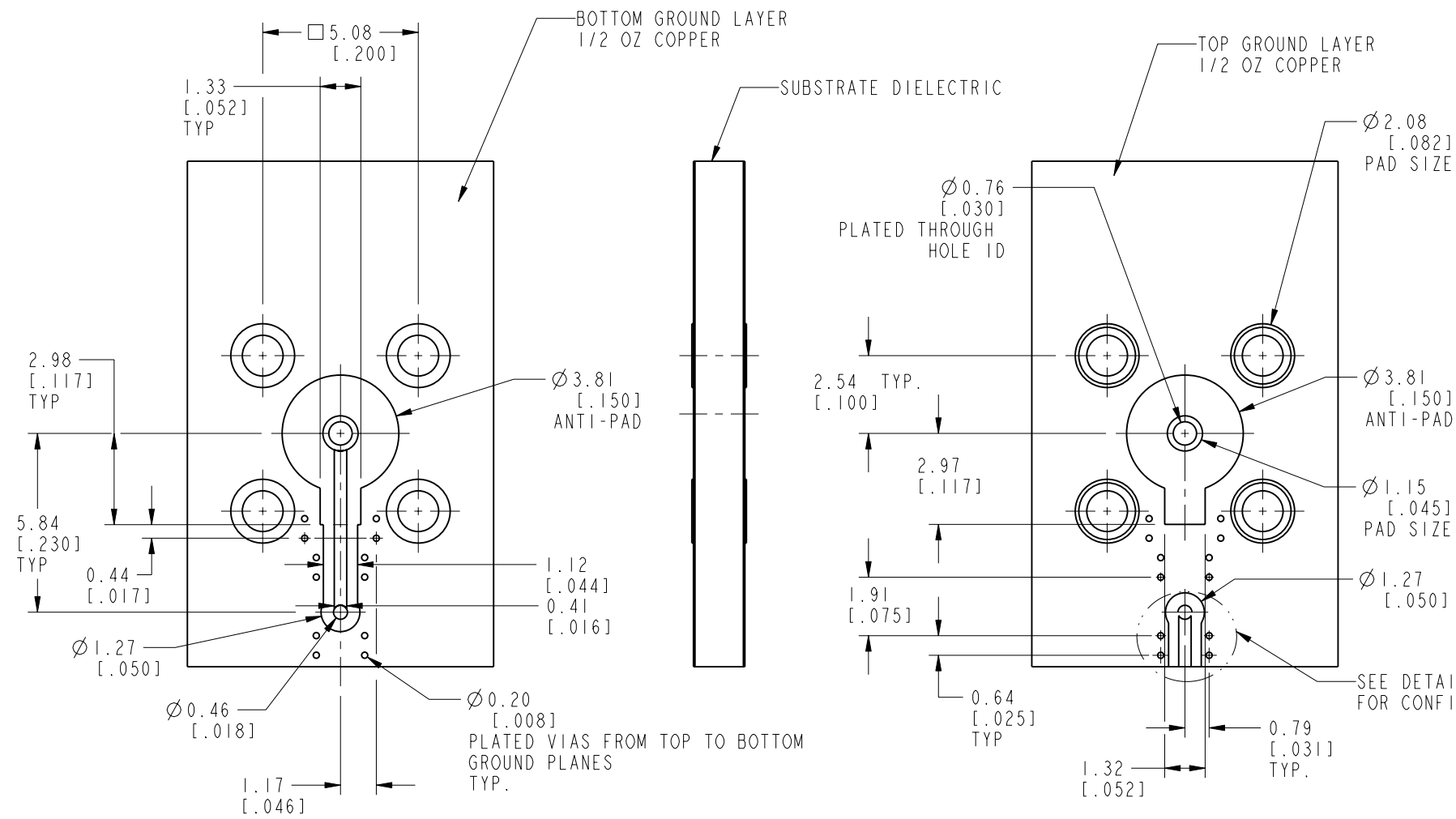
Amphenol RF www.amphenolrf.com	
DRAWING NO. 34-1030-12G	
ITEM NO. 34-1030-12G	
PART NO. 34-1030-12G	

REV	DESCRIPTION	DATE	ECO	APPR
A	RELEASE TO MFG	03-Mar-16	51040	MJD

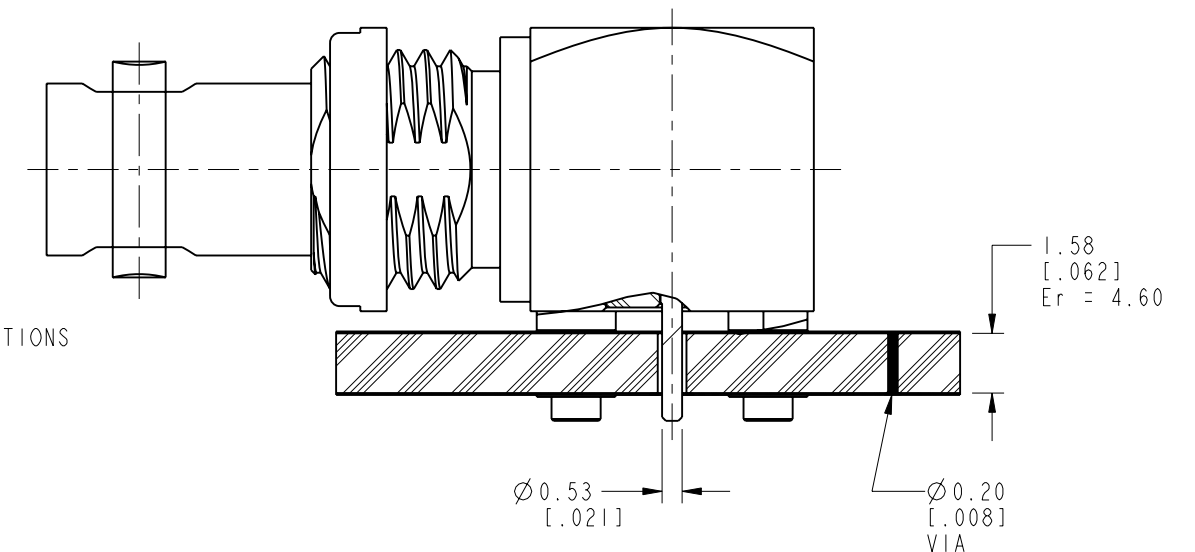
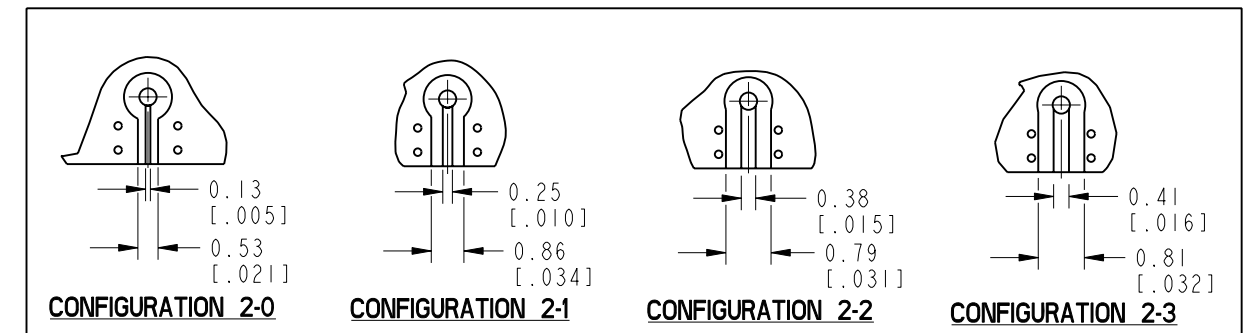
CONFIGURATION-2

RECOMMENDED PCB LAUNCH FOR OPTIMAL RF PERFORMANCE

VARIATIONS IN BOARD MATERIAL AND TRACE MAY REQUIRE DIFFERENT GEOMETRY
PLEASE CONTACT AMPHENOL RF FOR LAUNCH OPTIMIZATION



DETAIL A



BOTTOM LAYER

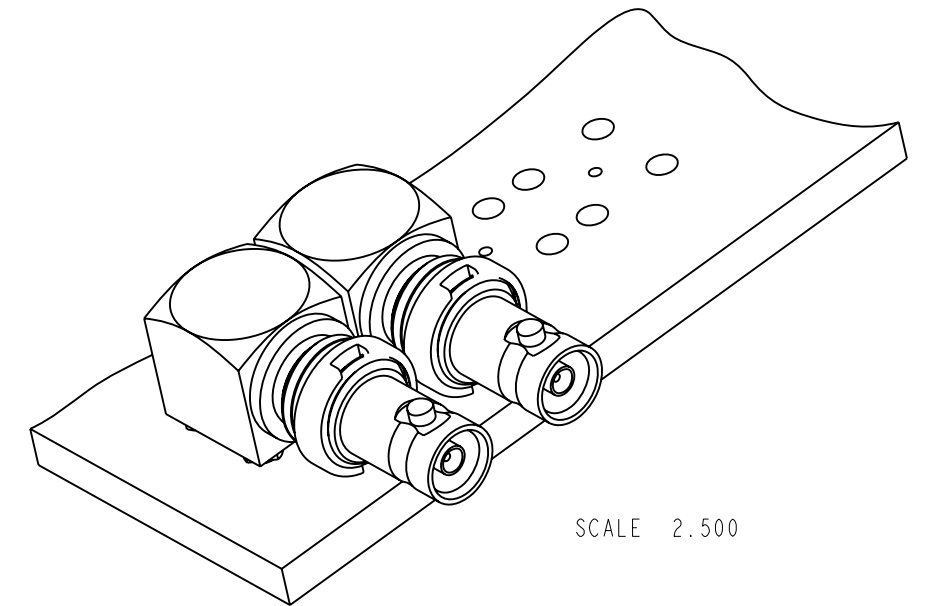
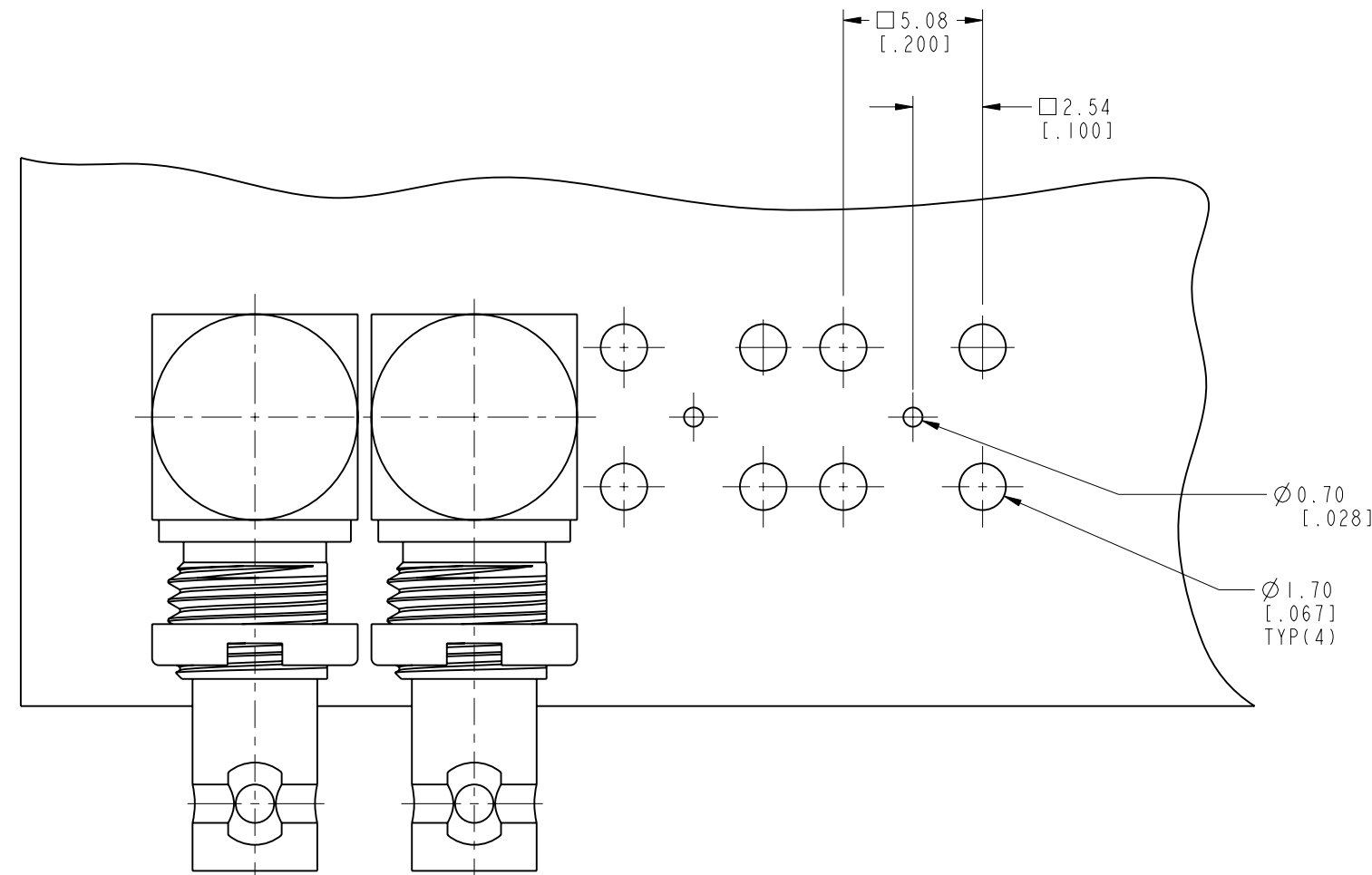
TOP LAYER

<p>UNLESS OTHERWISE SPECIFIED, DIMENSIONS ARE IN METRIC AND TOLERANCES ARE: <0.5mm ±0.05mm 0.5 - 6mm ±0.1mm 6 - 30mm ±0.2mm 30 - 120mm ±0.3mm ANGLES ±1°</p> <p>NOTICE - These drawings, specifications, or other data (1) are, and remain the property of Amphenol corp. (2) must be returned upon request; and (3) are confidential and not to be disclosed to any person other than those to whom they are given by Amphenol Corp. the furnishing of these drawings, specifications, or other data by Amphenol Corp., or to any other person to anyone for any purpose is not to be regarded by implication or otherwise in any manner licensing, granting rights to permitting such holder or any other person to manufacture, use or sell any product, process or design, patented or otherwise, that may in any way be related to or disclosed by said drawings, specifications, or other data.</p>	<p>MATERIAL</p>	<p>DRAWN M. ZHANG</p>	<p>DATE 03-Mar-16</p>	<p>TITLE HD BNC RA BHD JACK PCB MOUNT</p>	<p>Amphenol RF www.amphenolrf.com</p>
	<p>REFERENCE EAR # 4028</p>	<p>ENGINEER KARTHIK R</p>	<p>DATE 19-Feb-16</p>		
<p>CONFIGURATION LEVEL: In Work</p>	<p>APPROVED S. HSIEH</p>	<p>DATE 03-Mar-16</p>	<p>SCALE: 5.0:1.0 SHEET 5 OF 6</p>	<p>ITEM NO. 34-1030-12G</p>	<p>PART NO. 34-1030-12G</p>
<p>FINISH</p>	<p>CAD FILE</p>	<p>DWG SIZE B</p>	<p>REV A</p>		

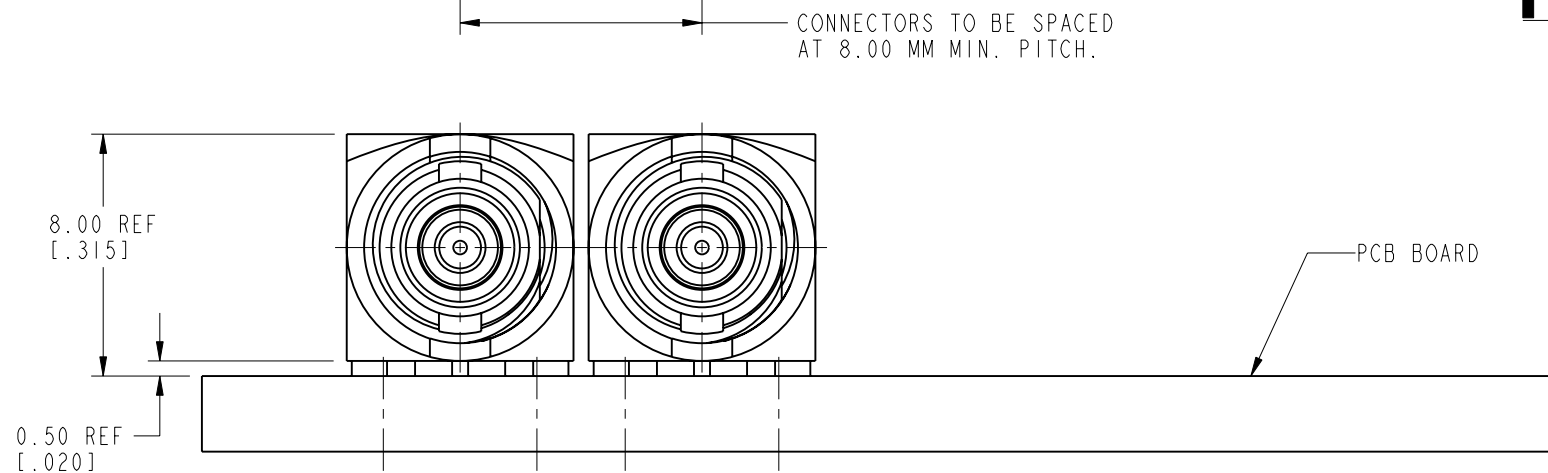
THIRD ANGLE PROJ.

REVISIONS

REV	DESCRIPTION	DATE	ECO	APPR
A	RELEASE TO MFG	03-Mar-16	51040	MJD



RECOMMENDED PCB MOUNTING HOLES



CUSTOMER OUTLINE DRAWING
ALL OTHER SHEETS ARE FOR INTERNAL USE ONLY

UNLESS OTHERWISE SPECIFIED, DIMENSIONS ARE IN METRIC AND TOLERANCES ARE:
 < 0.5mm ± 0.05mm 0.5 - 6mm ± 0.1mm 6 - 30mm ± 0.2mm 30 - 120mm ± 0.3mm ANGLES ± 1°

NOTICE - These drawings, specifications, or other data (1) are, and remain the property of Amphenol corp. (2) must be returned upon request; and (3) are confidential and not to be disclosed to any person other than those to whom they are given by Amphenol Corp. the furnishing of these drawings, specifications, or other data by Amphenol Corp., or to any other person for any purpose is not to be regarded by implication or otherwise in any manner licensing, granting rights to permitting such holder or any other person to manufacture, use or sell any product, process or design, patented or otherwise, that may in any way be related to or disclosed by said drawings, specifications, or other data.

MATERIAL

REFERENCE
EAR # 4028

CONFIGURATION LEVEL: In Work

FINISH

DRAWN
M. ZHANG

ENGINEER
KARTHIK R

APPROVED
S. HSIEH

CAD FILE

DATE
03-Mar-16

DATE
19-Feb-16

DATE
03-Mar-16

TITLE
HD BNC RA BHD
JACK PCB MOUNT

SCALE: 4.0:1.0 SHEET 6 OF 6

DWG SIZE
B

REV
A

Amphenol RF
www.amphenolrf.com

DRAWING NO. 34-1030-12G

ITEM NO. 34-1030-12G

PART NO. 34-1030-12G

Mouser Electronics

Authorized Distributor

Click to View Pricing, Inventory, Delivery & Lifecycle Information:

[Amphenol:](#)

[034-1030-12G](#) [34-1030-12G](#)