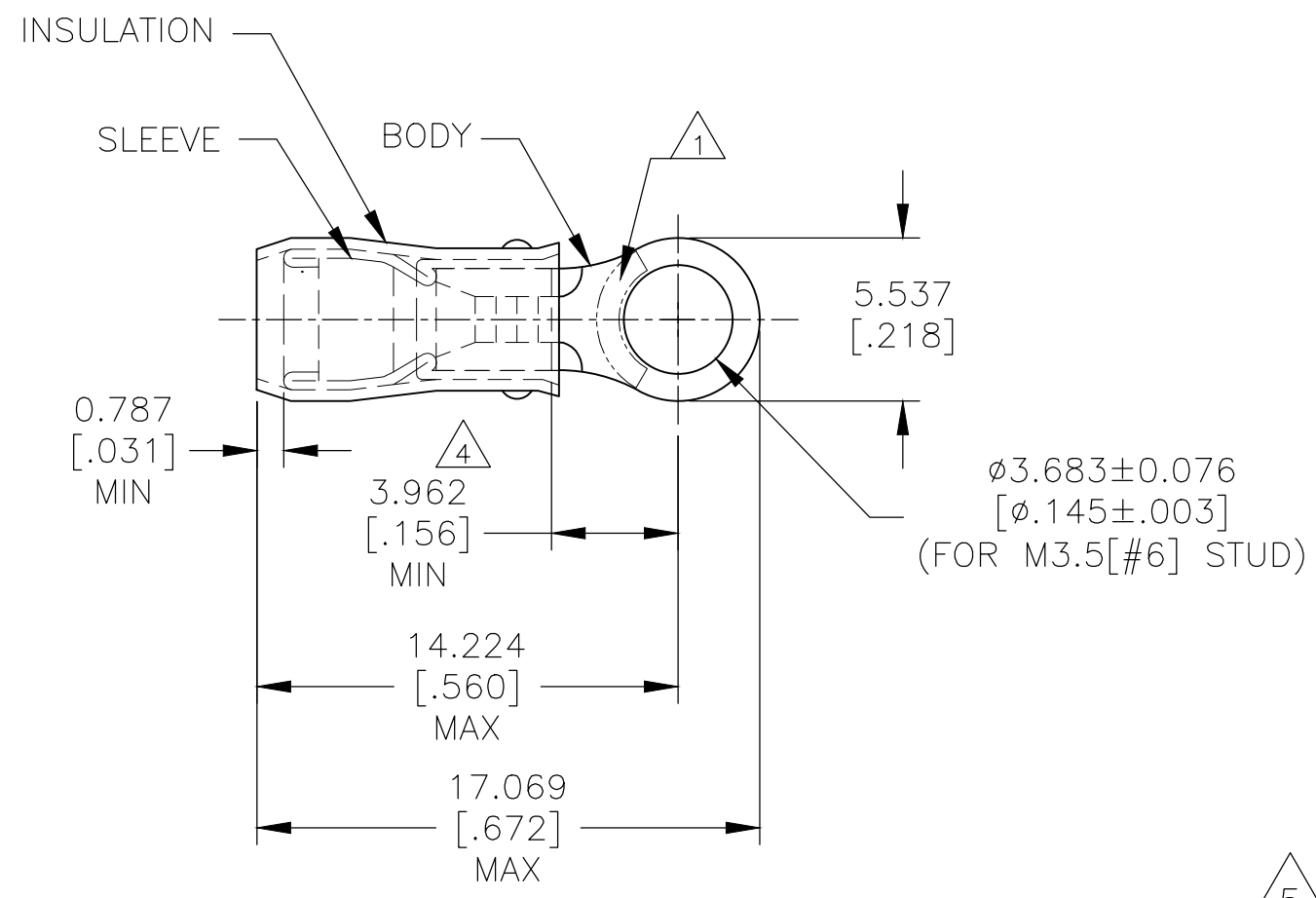
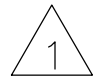


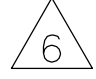







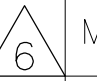
THIS DRAWING IS UNPUBLISHED. RELEASED FOR PUBLICATION  
 © COPYRIGHT - By - ALL RIGHTS RESERVED.

REVISIONS					
P	LTR	DESCRIPTION	DATE	DWN	APVD
	V1	REVISED PER ECO-17-007400	15DEC2017	RS	DR
	V2	REVISED PER ECO-19-007720	21MAY2020	KR	DR

<b>AMP</b> WIRE RANGE	 E13288 Listed	 LR7189 Certified
22-16 AWG SOLID OR STRANDED	22-16 AWG STRANDED	22-16 AWG SOLID OR STRANDED



-  STAMP AMP 22-18\* APPROX AS SHOWN  
22-16 TERMINALS ARE STAMPED 22-18 IN  
ACCORDANCE WITH MILITARY SPEC SAE AS7928  
COMMERCIAL WIRE RANGE IS 22-16.
- 2 WIRE INSULATION :  $\phi 2.032-3.175$  [ $\phi 0.080-.125$ ]
- 3 BODY MATERIAL THK:  $0.787 \pm 0.051$  [ $0.031 \pm 0.002$ ]
-  APPLIES FROM EDGE OF METAL WIRE BARREL  
TO CENTER OF STUD HOLE.
-  UL LISTED
-  CSA CERTIFIED

 	-	100	LOOSE PIECE, BOX	8-36149-1
 	MS25036-101 CLASS 2	5000	ON TAPE, REEL	2-36149-2
 	MS25036-101 CLASS 1 & 2	1000	LOOSE PIECE	36149
	MILITARY P/N AND CLASS	QUANTITY	PACKAGE TYPE	PART NO

**AMP INCORPORATED**  
**CUSTOMER SERVICE SYSTEMS**

FOR ADDITIONAL  
 PRODUCT INFORMATION OR  
 COPIES OF DRAWINGS  
 AND TECHNICAL DOCUMENTS  
 PRODUCT INFORMATION CENTER  
 1-800-522-6752

FOR APPLICATION  
 TOOLING ASSISTANCE CENTER  
 TOOLING INFORMATION  
 1-800-722-1111

FOR ORDER ENTRY  
 1-800-526-5142

MAX RECOMMENDED OPERATING  
 TEMPERATURE:  
 105°C[221°F] MAX

VOLTAGE RATING:  
 300 V MAX

CIRCULAR MIL AREA:  
 0.26-1.65mm<sup>2</sup>[509-3,260] CIR MILS  
 SOLID OR STRANDED

THIS DRAWING IS A CONTROLLED DOCUMENT.


DIMENSIONS:  
 mm[INCHES]

TOLERANCES UNLESS  
 OTHERWISE SPECIFIED:

0 PLC ± -  
 1 PLC ± -  
 2 PLC ± -  
 3 PLC ± 0.127[.005]  
 4 PLC ± -  
 ANGLES ± -

MATERIAL  
 BODY & SLEEVE:  
 COPPER PER ASTM B-152  
 INSULATION: NYLON

FINISH  
 BODY & SLEEVE:  
 TIN PLATE PER ASTM B545  
 INSULATION: COLOR-RED

DWN DK SCHRUM 9/8/93  
 CHK RE HERSEY 9/8/93  
 APVD ML ELLIS 9/8/93  
 PRODUCT SPEC  
 UL 486 A-B   
 APPLICATION SPEC  
 114-2157  
 WEIGHT -

**STE** TE Connectivity

NAME  
 TERMINAL, RING TONGUE,  
 PIDG™, WIRE SIZE, 22-16 AWG

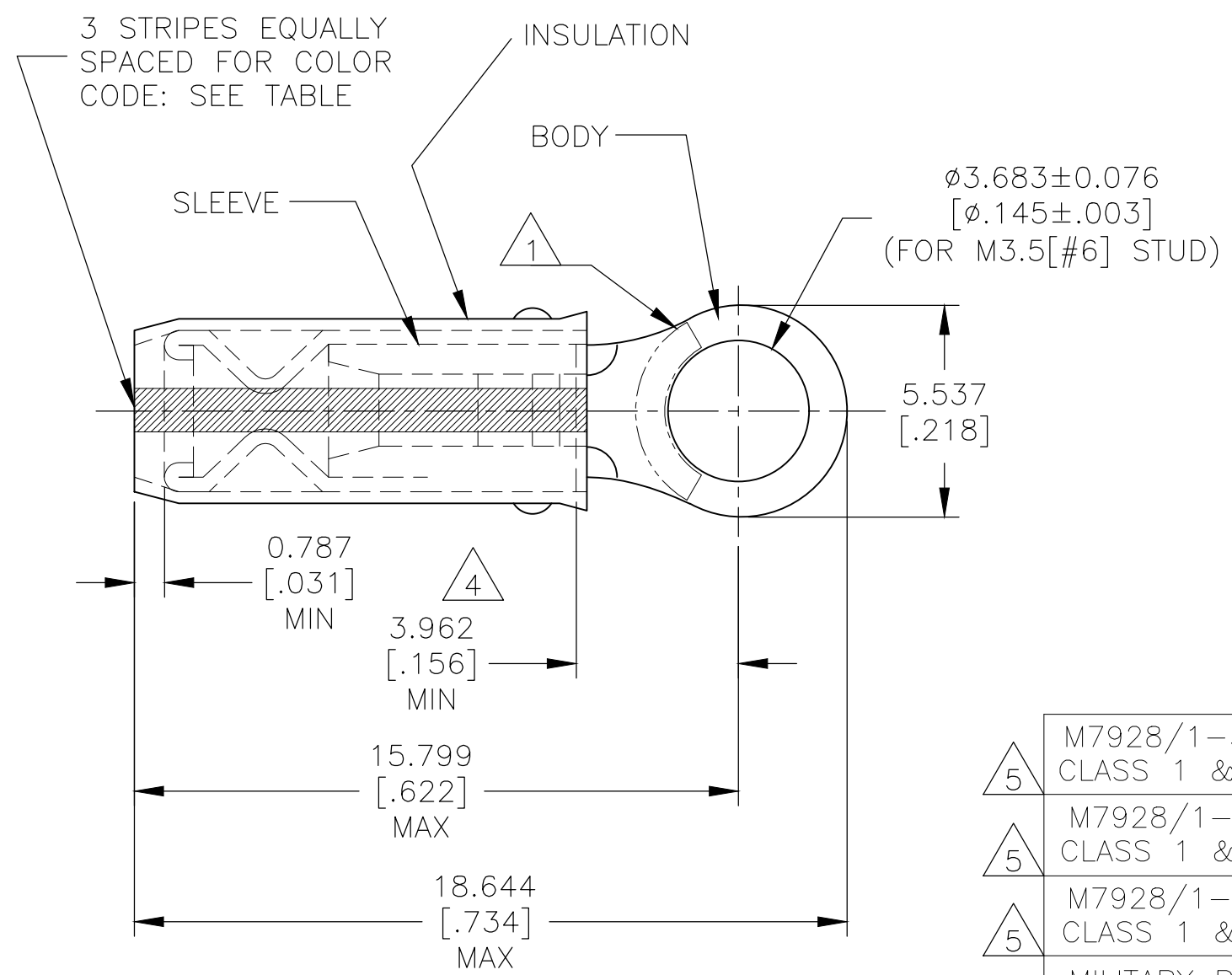
SIZE A3 CAGE CODE 00779 DRAWING NO C-36149 RESTRICTED TO -

CUSTOMER DRAWING SCALE NTS SHEET 1 OF 2 REV V2

THIS DRAWING IS UNPUBLISHED. RELEASED FOR PUBLICATION  
 © COPYRIGHT - By - ALL RIGHTS RESERVED.

REVISIONS					
P	LTR	DESCRIPTION	DATE	DWN	APVD
-	-	SEE SHEET 1	-	-	-

<b>AMP</b> WIRE RANGE	<b>5</b> LR 7189 Certified
SEE TABLE STRANDED	WIRE SIZE PER TABLE STRANDED



- 1** STAMP AMP APPROX AS SHOWN SEE TABLE BELOW.
- 2** WIRE INSULATION :  $\phi 0.965-2.794[\phi 0.038-.110]$  FOR 22 AWG  
 $\phi 1.168-2.794[\phi 0.046-.110]$  FOR 20 AWG  
 $\phi 1.422-2.794[\phi 0.056-.110]$  FOR 18 AWG.
- 3** BODY MATERIAL THK:  $0.787\pm 0.051[.031\pm .002]$
- 4** APPLIES FROM EDGE OF METAL WIRE BARREL TO CENTER OF STUD HOLE.
- 5** CSA CERTIFIED

<b>5</b>	M7928/1-30 CLASS 1 & 2	WHITE	18*	18	1000	LOOSE PIECE	2-36149-5
<b>5</b>	M7928/1-21 CLASS 1 & 2	RED	20*	20	1000	LOOSE PIECE	2-36149-4
<b>5</b>	M7928/1-12 CLASS 1 & 2	GREEN	22*	22	1000	LOOSE PIECE	2-36149-3
	MILITARY P/N AND CLASS	STRIPE COLOR	STAMPING	WIRE SIZE	QUANTITY	PACKAGE TYPE	PART NO

<b>AMP INCORPORATED CUSTOMER SERVICE SYSTEMS</b>		MAX RECOMMENDED OPERATING TEMPERATURE: 105°C[221°F] MAX	THIS DRAWING IS A CONTROLLED DOCUMENT.		DWN DK SCHRUM 9/8/93	TE Connectivity			
FOR ADDITIONAL PRODUCT INFORMATION OR COPIES OF DRAWINGS AND TECHNICAL DOCUMENTS	PRODUCT INFORMATION CENTER 1-800-522-6752	VOLTAGE RATING: 300 V MAX	DIMENSIONS: mm[INCHES]	TOLERANCES UNLESS OTHERWISE SPECIFIED:	CHK RE HERSEY 9/8/93				NAME
FOR APPLICATION	TOOLING ASSISTANCE CENTER 1-800-722-1111	WIRE RANGE: CIRC MIL AREA:		0 PLC ± - 1 PLC ± - 2 PLC ± - 3 PLC ± 0.127[.005] 4 PLC ± - ANGLES ± -	APVD ML ELLIS 9/8/93	TERMINAL, RING TONGUE, I.R., PIDG™			
TOOLING INFORMATION	1-800-722-1111	22 0.38mm² [754] 20 0.60mm² [1,186] 18 0.96mm² [1,900]	MATERIAL	FINISH	PRODUCT SPEC	WIRE SIZE, 22, 20 & 18 AWG			
FOR ORDER ENTRY	1-800-526-5142	STRANDED	BODY & SLEEVE: COPPER PER ASTM B-152 INSULATION: NYLON	BODY & SLEEVE: TIN PLATE PER ASTM B545 INSULATION: COLOR-RED	APPLICATION SPEC 114-2157	SIZE	CAGE CODE	DRAWING NO	RESTRICTED TO
			CUSTOMER DRAWING		WEIGHT	A3	00779	C-36149	-
					SCALE	NTS	SHEET	2 OF 2	REV V2