

LEVINA

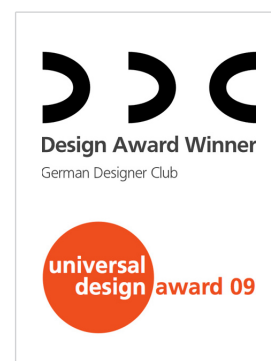
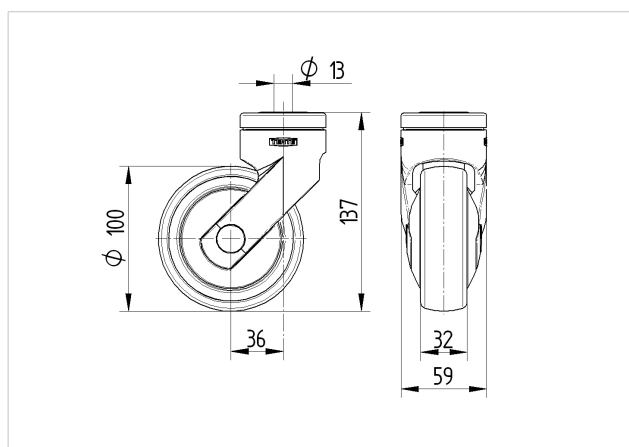
5370PJP100P30-13

EAN 4031582347425

Swivel castor, housing and wheels made from high grade synthetic materials, double ball bearing swivel head. Wheel centre made of Polypropylene, Tread: TENTEprene (thermoplastic rubber), grey non-marking, precision ball bearing, bolt hole

Technical Data	
Wheel diameter	100 mm
Width of Tread	32 mm
Centre hole	13 mm
Offset	36 mm
Swivel Interference	172 mm
Overall height	137 mm
Temperature	- 10 / + 40 °C
Standard	EN 12530
Weight	0.439 kg
Load capacity	100 kg
Load capacity (static)	200 kg
Swivel Radius	86 mm
Hardness of tread	A 87 Shore

Roll performance	+	+	+	+	+
Movement noise	+	+	+	+	+
Attrition	+	+	+	+	+
Corrosion resistance	+	+	+	+	+



Product Information



LEVINA

5370PJP100P30-13

EAN 4031582347425

