

FEATURES

- IP67 ingress protection
- Made from a toughened engineering plastic
- High thermal stability
- High mechanical strength
- Halogen free
- Self-extinguishing
- Seals made from non-aging EPDM elastomer or rubber
- Excellent corrosion and abrasion resistance

RS PRO IP66, IP67 Red Cable Mount 3P+E Industrial Power Socket, Rated At 32.0A, 415.0V

RS Stock No.: 724-9230



RS Professionally Approved Products bring to you professional quality parts across all product categories. Our product range has been tested by engineers and provides a comparable quality to the leading brands without paying a premium price.

Product Description

From RS Pro, a range of IP44 splash proof industrial cable mount plugs that are reliable and simple to assemble. The outer casing and inner contact carrier are constructed from a toughened engineering material designed to provide high thermal stability and mechanical strength. Nickel plated brass contact pins ensure excellent corrosion and abrasion resistance. A domed cable gland at the rear of the splash proof connector provide external cable clamping and additional support. Stylishly designed, the RS Pro range of industrial BS4343 plugs perform extremely well in the most challenging environments. All models are highly reliable and excellent quality.

Connector (socket) [724-9164](#) mates with power plug [724-9145](#)

Connector (socket) [724-9167](#) mates with power plug [724-9132](#)

Connector (socket) [724-9211](#) mates with power plug [724-9186](#)

Connector (socket) [724-9233](#) mates with power plug [724-9209](#)

General Specifications

Pole Format	3P+E
Gender	Female
Body Orientation	Straight
Material	Engineering Plastic
Colour	Red
Applications	Providing power for machinery on construction sites, Woodworking machines, Maintenance workshops in the light industry

Electrical Specifications

Current Rating	32A
Voltage Rating	415V
Plug/Socket	Socket
Termination Method	Screw
Cable CSA	6.0mm ²

Operation Environment Specifications

Maximum Operating Temperature	40°C
Minimum Operating Temperature	-25°C

Mechanical Specifications

Mounting Type	Cable Mount
---------------	-------------

Protection Category

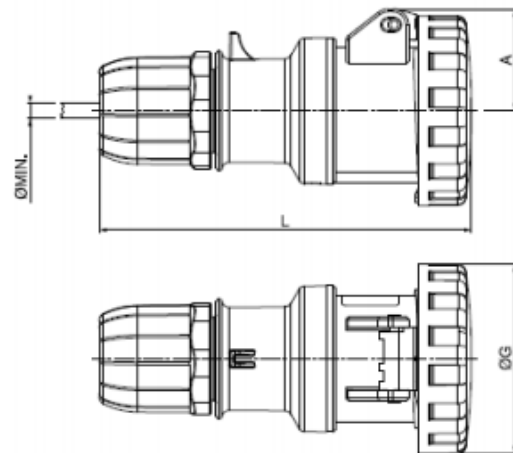
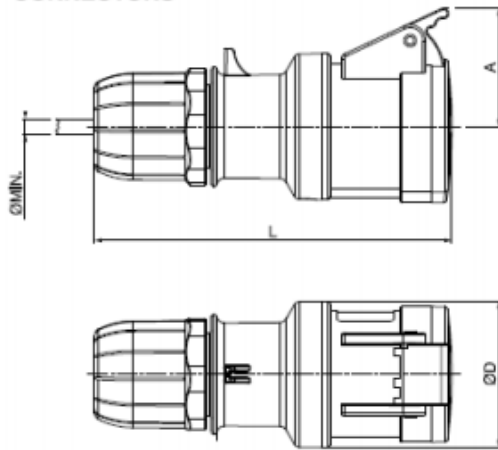
IP Rating	IP66, IP67
-----------	------------

Approvals

Compliance/Certifications	EN 60529
---------------------------	----------



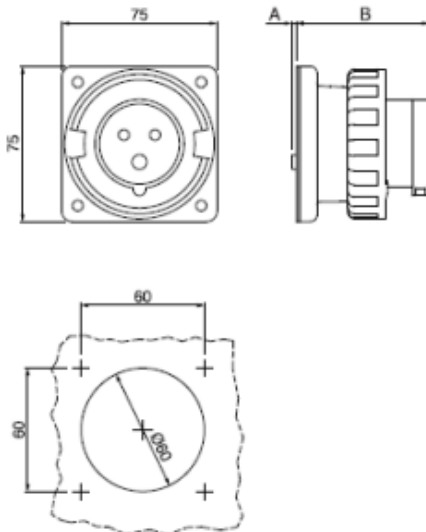
CONNECTORS



IP44		A	Ø D	L Min	Ø Min
16A	2P+E	46	56	138	6
	3P+E	49	60	145	6
	3P+N+E	54	65	165	9
32A	2P+E	54	65	175	9
	3P+E	54	65	175	9
	3P+N+E	59	73	190	13

IP66/IP67		A	Ø G	L Min	Ø Min
16A	2P+E	39	73	141	6
	3P+E	43	81	148	6
	3P+N+E	51	88	168	9
32A	2P+E	56	93	178	9
	3P+E	56	93	178	9
	3P+N+E	52	101	195	13
63A		57,5	112	230	17
125A		64,25	128	288	26

APPLIANCE INLETS - IP66/IP67



IP66/IP67		A	B
16A	2P+E	2	65
	3P+E	2	65
	3P+N+E	2	65
32A	2P+E	19	73
	3P+E	19	73
	3P+N+E	19	73