

## FEATURES

- IP67 Rated
- Halogen free
- Voltage ratings of 230V and 415V offered in this range
- All models offered in the range are highly reliable and excellent quality
- Straight body orientation
- Red, yellow and blue colours offered in this range of power connectors
- Conforms to the latest requirements of British and European standards
- Screw terminals accept conductors upto 2.5mm<sup>2</sup> for 16A, 6mm<sup>2</sup> for 32A, 16mm<sup>2</sup> for 63A and 50mm<sup>2</sup> for 125A types

## RS PRO IP67 Red Cable Mount 3P+N+E Industrial Power Plug, Rated At 32.0A, 415.0 V

RS Stock No.: 724-9209



RS Professionally Approved Products bring to you professional quality parts across all product categories. Our product range has been tested by engineers and provides a comparable quality to the leading brands without paying a premium price.

## Product Description

From the trusted brand RS PRO, comes a range of high-quality cable mounted free socket power connectors. Manufactured to industry standards these connectors are easy to assemble and are a fantastic industrial plug solution for powering tools and machinery at a range of different voltage requirements.

## General Specifications

<b>Syntetical Description</b>	Plug
<b>Pole Format</b>	3P+N+E
<b>Hour Position</b>	6h
<b>Gender</b>	Male
<b>Body Orientation</b>	Straight
<b>Material</b>	Engineering Plastic
<b>Colour</b>	Red
<b>Applications</b>	Providing power for machinery on construction sites, Woodworking machines, Maintenance workshops in the light industry

## Electrical Specifications

<b>Current Rating</b>	32A
<b>Voltage Rating</b>	346-415V
<b>Working Frequency</b>	50Hz, 60Hz
<b>Plug/Socket</b>	Plug
<b>Termination Method</b>	Screw
<b>Cable CSA</b>	6.0mm <sup>2</sup>
<b>Contact Material</b>	Nickel plated brass

## Mechanical Specifications

<b>Mounting Type</b>	Cable Mount
----------------------	-------------

## Protection Category

IP Rating

IP67

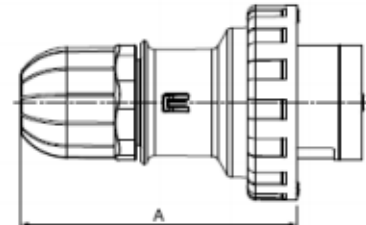
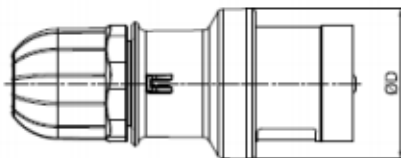
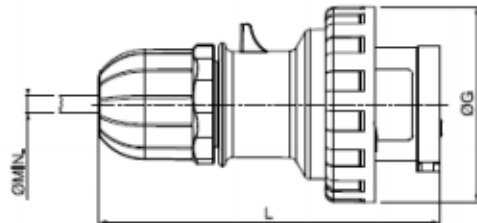
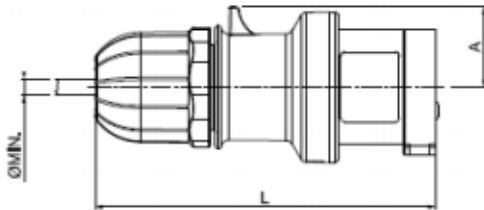
## Approvals

Compliance/Certifications

EN 60309-1, EN 60309-2



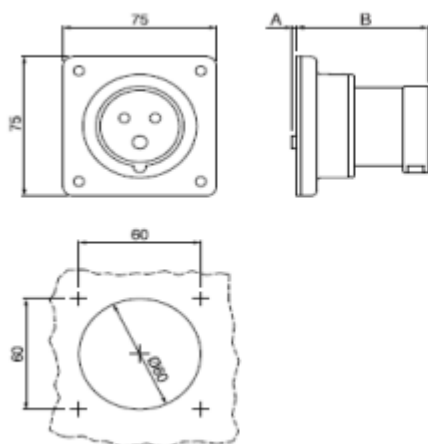
PLUGS



IP44		A	Ø D	L Min	Ø Min
	2P+E	30	56	128	6
16A	3P+E	34	60	135	6
	3P+N+E	38	65	153	9
32A	2P+E	40	65	162	9
	3P+E	40	65	162	9
	3P+N+E	45	73	176	13

IP66/IP67		A	Ø G	L Min	Ø Min
	2P+E	103	73	128	6
16A	3P+E	110	81	135	6
	3P+N+E	129	88	153	9
32A	2P+E	131	93	162	9
	3P+E	131	93	162	9
	3P+N+E	145	101	176	13
63A		160	112	220	17
125A		202	128	272	26

## APPLIANCE INLETS - IP44



IP44	A	B
2P+E	2	65
16A 3P+E	2	65
3P+N+E	2	65
2P+E	19	73
32A 3P+E	19	73
3P+N+E	19	73