

FEATURES

- IP67 ingress protection
- Made from a toughened engineering plastic
- High thermal stability
- High mechanical strength
- Halogen free
- Self-extinguishing
- Seals made from non-aging EPDM elastomer or rubber
- Excellent corrosion and abrasion resistance
- Nickel plated brass contacts

RS PRO IP67 Blue Cable Mount 2P+E Industrial Power Plug, Rated At 32.0A, 230.0 V

RS Stock No.: 724-9202



RS Professionally Approved Products bring to you professional quality parts across all product categories. Our product range has been tested by engineers and provides a comparable quality to the leading brands without paying a premium price.

Product Description

From the trusted RS Pro brand, a range of industrial IP67 watertight cable mount plugs that are reliable and simple to assemble. The outer and inner contact carrier are constructed from a toughened engineering material designed to provide high thermal stability and mechanical strength. Nickel plated brass contact pins ensure excellent corrosion and abrasion resistance. Moulded seals in the front part of the power connector and a bayonet locking ring ensure the RS Pro IP67 glanded plugs are fully sealed when mated. A rugged cable gland at the rear of the watertight plug provide external cable clamping and additional support. Stylishly designed, the RS Pro range of industrial BS4343 plugs perform extremely well in the most challenging environments. All models are highly reliable and excellent quality.

Power plug [724-9145](#) mates with connector (socket) [724-9164](#)

Power plug [724-9154](#) mates with connector (socket) [724-9189](#)

Power plug [724-9186](#) mates with connector (socket) [724-9211](#)

Power plug [724-9195](#) mates with connector (socket) [724-9215](#)

Power plug [724-9198](#) mates with connector (socket) [724-9224](#)

Power plug [724-9202](#) mates with connector (socket) [724-9221](#)

Power plug [724-9209](#) mates with connector (socket) [724-9223](#)

General Specifications

Pole Format	2P+E
Gender	Male
Body Orientation	Straight
Material	Engineering Plastic
Colour	Blue
Applications	Providing power for machinery on construction sites, Woodworking machines, Maintenance workshops in the light industry

Electrical Specifications

Current Rating	32A
Voltage Rating	230V
Plug/Socket	Plug
Contact Material	Nickel plated brass
Termination Method	Screw
Cable CSA	6.0mm ²

Mechanical Specifications

Mounting Type	Cable Mount
---------------	-------------

Protection Category

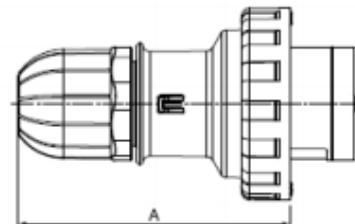
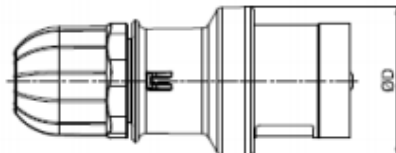
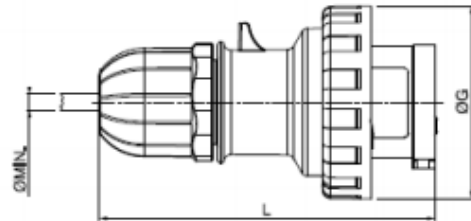
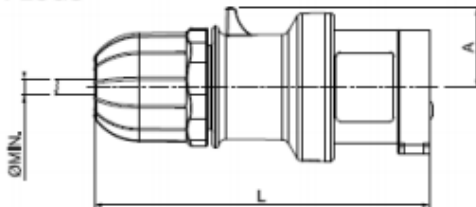
IP Rating	IP67
-----------	------

Approvals

Compliance/Certifications	EN 60529
---------------------------	----------



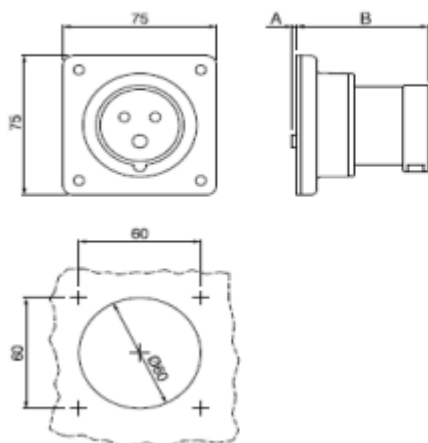
PLUGS



IP44		A	Ø D	L Min	Ø Min
	2P+E	30	56	128	6
16A	3P+E	34	60	135	6
	3P+N+E	38	65	153	9
32A	2P+E	40	65	162	9
	3P+E	40	65	162	9
	3P+N+E	45	73	176	13

IP66/IP67		A	Ø G	L Min	Ø Min
	2P+E	103	73	128	6
16A	3P+E	110	81	135	6
	3P+N+E	129	88	153	9
32A	2P+E	131	93	162	9
	3P+E	131	93	162	9
	3P+N+E	145	101	176	13
63A		160	112	220	17
125A		202	128	272	26

APPLIANCE INLETS - IP44



IP44	A	B
2P+E	2	65
16A 3P+E	2	65
3P+N+E	2	65
2P+E	19	73
32A 3P+E	19	73
3P+N+E	19	73