

FEATURES

- IP44 rating
- Lid equipped with special tab to facilitate single hand opening
- Halogen free
- Cable gland design provides external clamping
- Screw terminals accept conductors upto 2.5mm² for 16A and 6mm² for 32A types

RS PRO IP44 Blue Cable Mount 2P+E Industrial Power Socket, Rated At 32.0A, 230.0V

RS Stock No.: 724-9123



RS Professionally Approved Products bring to you professional quality parts across all product categories. Our product range has been tested by engineers and provides a comparable quality to the leading brands without paying a premium price.

Product Description

These RS Pro Free Sockets are attached to a cable free end, rather than hard mounted, and are for use in industrial applications. The outer casing of these straight sockets is made from engineering plastic and has a cable gland design to provide external clamping. These industrial sockets conform to the latest requirements of British and European standards.

General Specifications

Pole Format	2P+E
Gender	Female
Body Orientation	Straight
Material	Engineering Plastic
Colour	Blue
Applications	Providing power for machinery on construction sites, Woodworking machines, Maintenance workshops in the light industry

Electrical Specifications

Current Rating	32A
Voltage Rating	230V
Plug/Socket	Socket
Termination Method	Screw
Cable CSA	6.0mm ²
Contact Material	Nickel plating Brass

Mechanical Specifications

Mounting Type	Cable Mount
----------------------	-------------

Protection Category

IP Rating

IP44

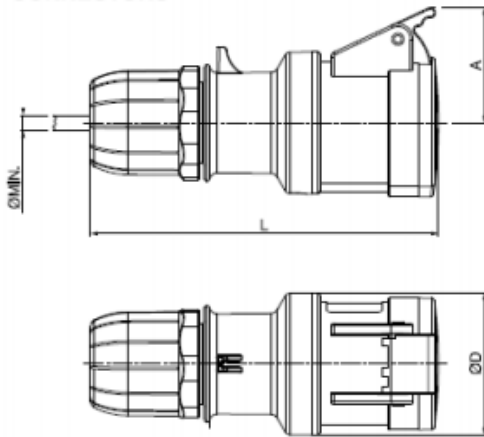
Approvals

Compliance/Certifications

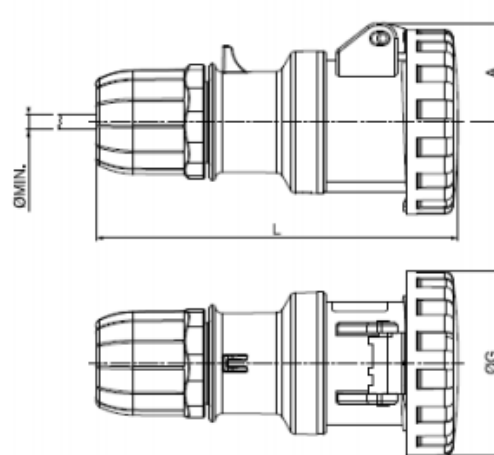
EN 60309-1, EN 60309-2



CONNECTORS

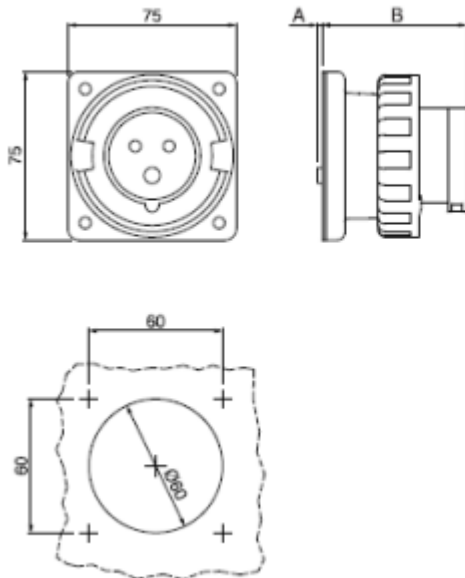


IP44		A	Ø D	L Min	Ø Min
16A	2P+E	46	56	138	6
	3P+E	49	60	145	6
	3P+N+E	54	65	165	9
32A	2P+E	54	65	175	9
	3P+E	54	65	175	9
	3P+N+E	59	73	190	13



IP66/IP67		A	Ø G	L Min	Ø Min
16A	2P+E	39	73	141	6
	3P+E	43	81	148	6
	3P+N+E	51	88	168	9
32A	2P+E	56	93	178	9
	3P+E	56	93	178	9
	3P+N+E	52	101	195	13
63A		57,5	112	230	17
125A		64,25	128	268	26

APPLIANCE INLETS - IP66/IP67



IP66/IP67		A	B
16A	2P+E	2	65
	3P+E	2	65
	3P+N+E	2	65
32A	2P+E	19	73
	3P+E	19	73
	3P+N+E	19	73