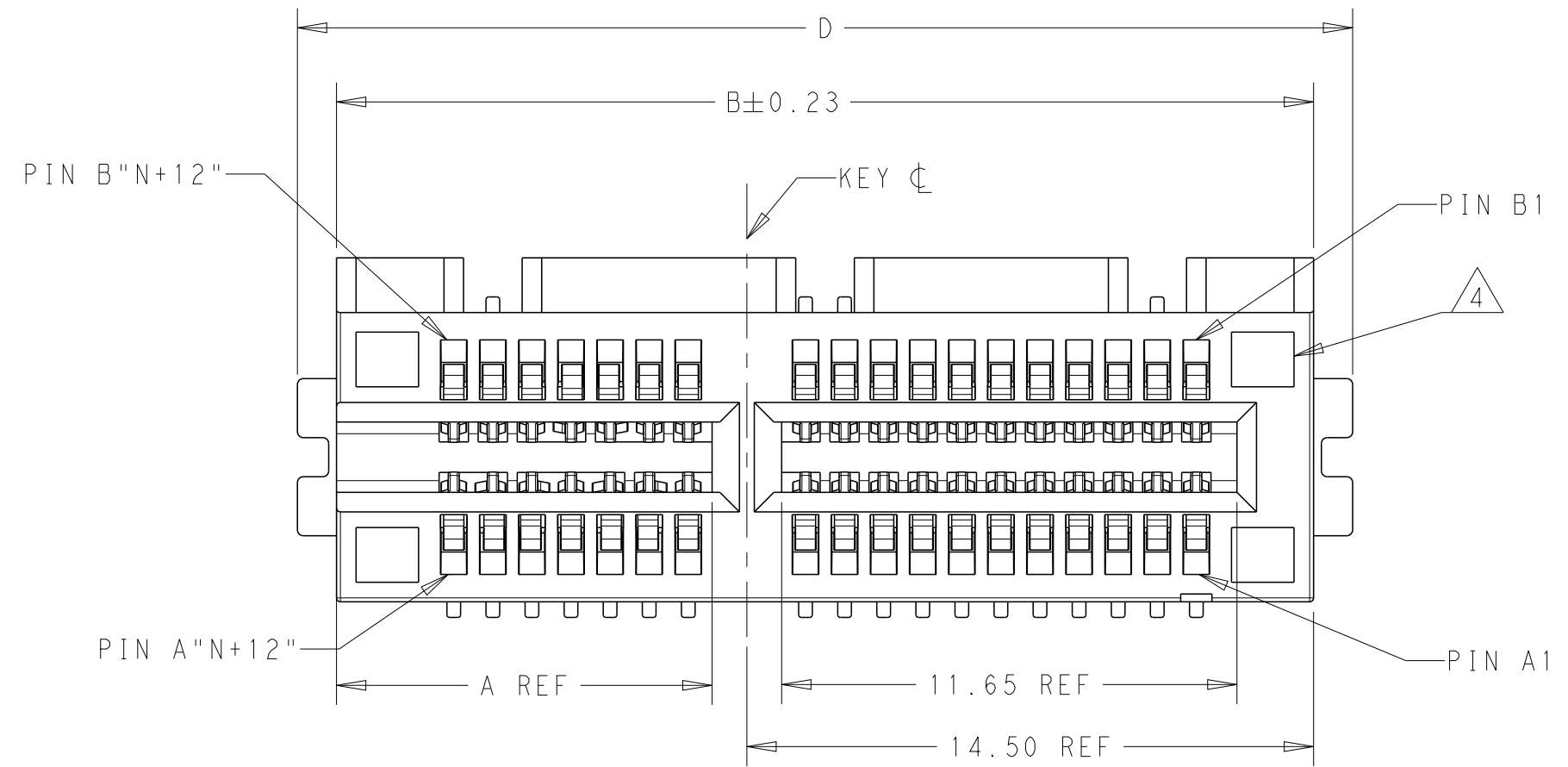
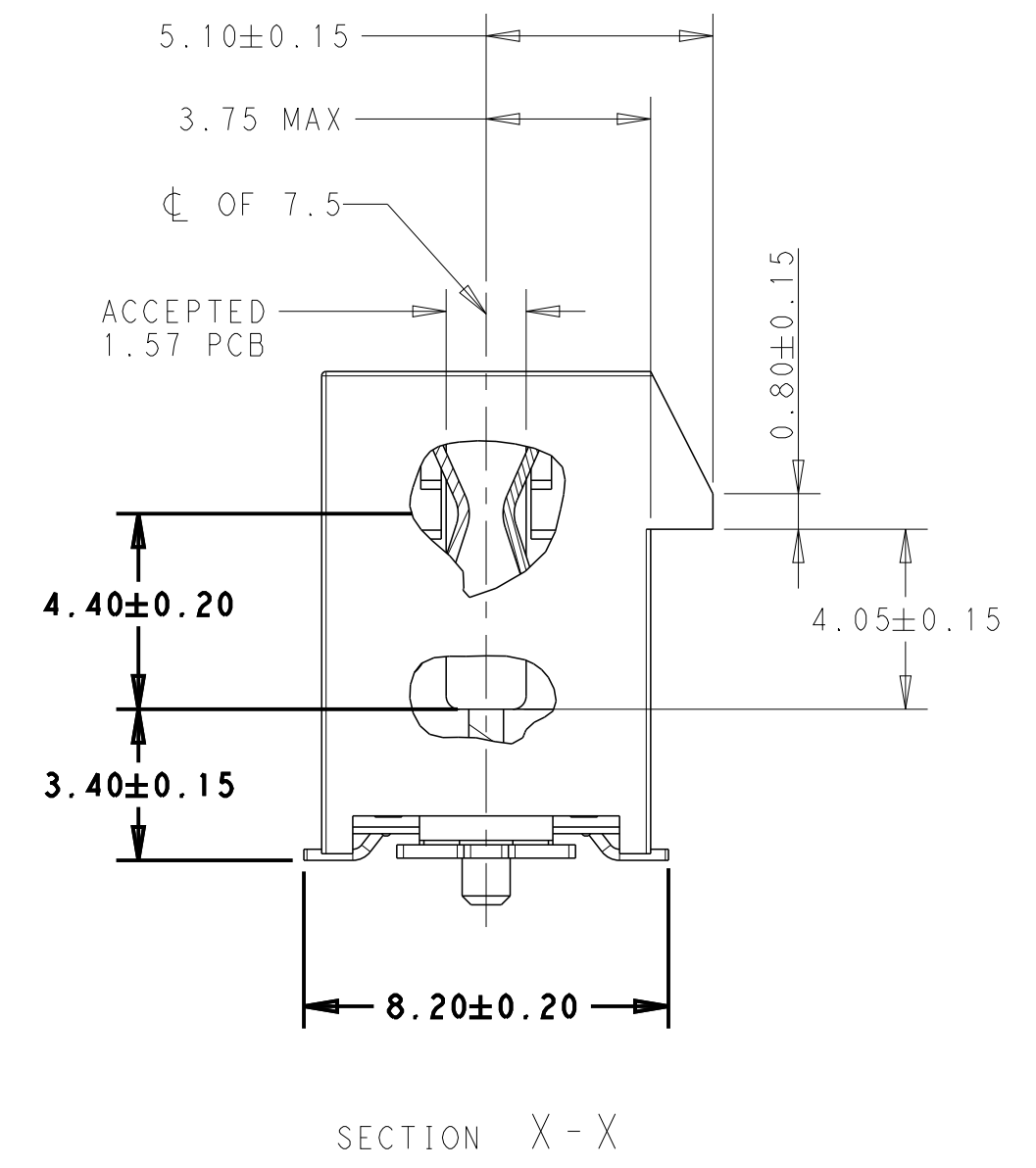
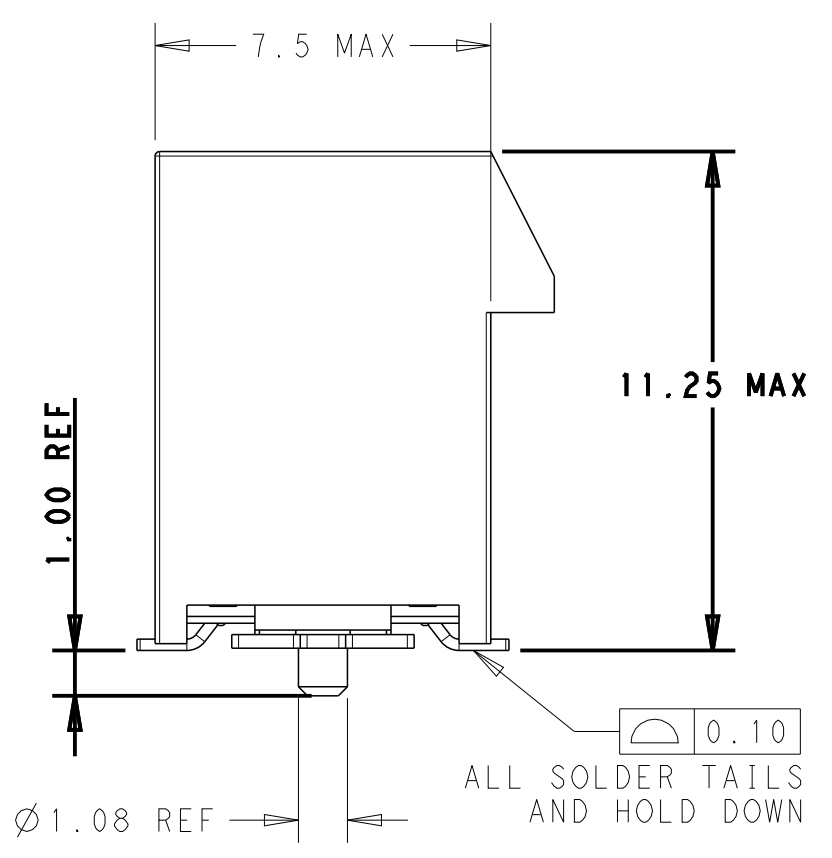
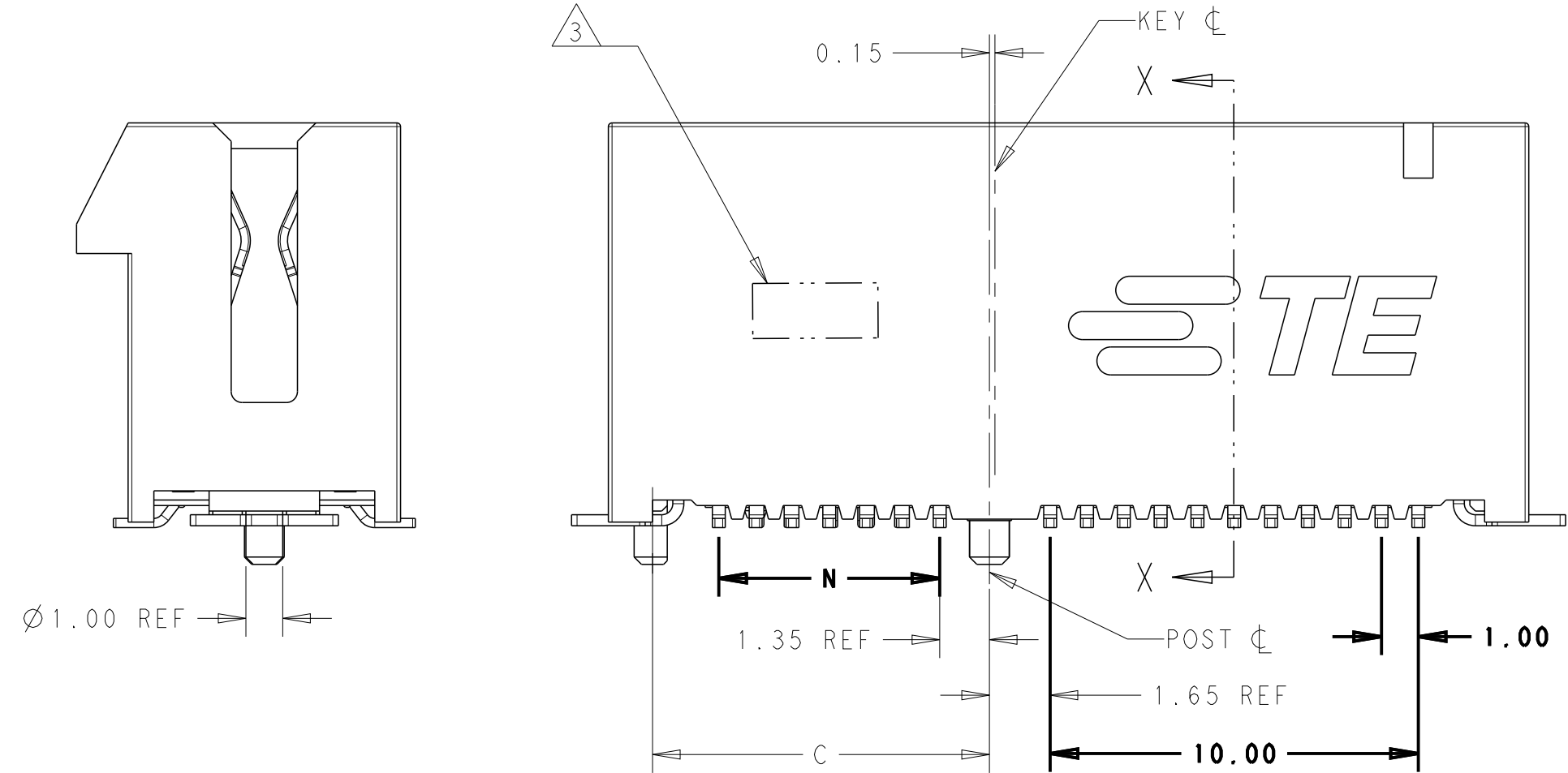


THIS DRAWING IS UNPUBLISHED. RELEASED FOR PUBLICATION 20
 © COPYRIGHT 20 BY - ALL RIGHTS RESERVED.

REVISIONS					
P	LTR	DESCRIPTION	DATE	DWN	APVD
A		A REVISION RELEASE	6JUNE2022	SY	HL
B		UPDATE HARD TRAY IN SHEET5	24NOV2022	MC	HL



- NOTES:
- 1 MATERIAL:
HOUSING: HIGH-TEMP PLASTIC; BLACK, UL 94V-0
CONTACT: COPPER ALLOY
HOLD DOWN: COPPER ALLOY
 - 2 FINISH:
(SEE TABLE) 0.1 INCH GOLD PLATING OR GOLD FLASH OVER PdNi ON CONTACT AREA.
2.54um MATTE-TIN PLATING ON SOLDER TAIL AREA.
1.27um NICKEL UNDERPLATING OVERALL.
 - 3 PCIE5, PART NUMBER AND DC PRINTED IN APPROPRIATE AREA OR OPPOSITE
 - 4 SUCH CORE VOIDS PER MANUFACTURER'S CONVENIENCE.



THIS DRAWING IS A CONTROLLED DOCUMENT.		DWN SANDERS YAN 08APR2020	TE Connectivity	
DIMENSIONS: mm		CHK MIKE.CHEN 08APR2020		
TOLERANCES UNLESS OTHERWISE SPECIFIED:		APVD HOPE LU 08APR2020	NAME PCI EXPRESS CARD EDGE CONNECTOR GEN5, STD, ONE SIDE OPEN	
0 PLC ±	1 PLC ±0.3	PRODUCT SPEC 108-160247	SIZE A2	CAGE CODE 00779
2 PLC ±0.20	3 PLC ±0.050	APPLICATION SPEC -	DRAWING NO C-2371899	RESTRICTED TO -
4 PLC ±	ANGLES ±	WEIGHT -	SCALE 6:1	SHEET 1 OF 6
MATERIAL 1		CUSTOMER DRAWING		REV B

THIS DRAWING IS UNPUBLISHED. RELEASED FOR PUBLICATION 20
 © COPYRIGHT 20 BY - ALL RIGHTS RESERVED.

REVISIONS				
P	LTR	DESCRIPTION	DATE	APVD
-		SEE SHEET 1	-	-

TYPE	L * W * H (TRAY)	PRECIOUS PLATING THICKNESS (TOTAL)	W	V	J	D	N	C	B	A	POS.	PART NUMBER
TAPE & REEL	88 X 13.92 X 24(W*D*P)	30u"	53.5	8	28	58	37	40.15	56	40.61	98	7-2371899-7
HARD TRAY	330 X 235 X 19.3	30u"	45.0	8	44.5	91	70	73.15	89	73.61	164	7-2371899-4
HARD TRAY	330 X 235 X 19.3	30u"	86.5	8	44.5	91	70	73.15	89	73.61	164	5-2371899-8
HARD TRAY	330 X 235 X 19.3	30u"	53.5	8	28	58	37	40.15	56	40.61	98	5-2371899-7
SOFT TRAY	338 X 235 X 20.3	30u"	36.5	8	19.5	41	20	23.15	39	23.61	64	5-2371899-6
SOFT TRAY	TBD	30u"	22.5	8	12.5	27	6	9.15	25	9.61	36	5-2371899-5
HARD TRAY	330 X 235 X 19.3	30u"	10.0	8	44.5	91	70	73.15	89	73.61	164	5-2371899-4
HARD TRAY	330 X 235 X 19.3	30u"	10.0	8	28	58	37	40.15	56	40.61	98	5-2371899-3
SOFT TRAY	338 X 235 X 20.3	30u"	10.0	8	19.5	41	20	23.15	39	23.61	64	5-2371899-2
SOFT TRAY	TBD	30u"	10.0	8	12.5	27	6	9.15	25	9.61	36	5-2371899-1
HARD TRAY	330 X 235 X 19.3	15u"	86.5	8	44.5	91	70	73.15	89	73.61	164	4-2371899-8
HARD TRAY	330 X 235 X 19.3	15u"	53.5	8	28	58	37	40.15	56	40.61	98	4-2371899-7
SOFT TRAY	338 X 235 X 20.3	15u"	36.5	8	19.5	41	20	23.15	39	23.61	64	4-2371899-6
SOFT TRAY	TBD	15u"	22.5	8	12.5	27	6	9.15	25	9.61	36	4-2371899-5
HARD TRAY	330 X 235 X 19.3	15u"	10.0	8	44.5	91	70	73.15	89	73.61	164	4-2371899-4
HARD TRAY	330 X 235 X 19.3	15u"	10.0	8	28	58	37	40.15	56	40.61	98	4-2371899-3
SOFT TRAY	338 X 235 X 20.3	15u"	10.0	8	19.5	41	20	23.15	39	23.61	64	4-2371899-2
SOFT TRAY	TBD	15u"	10.0	8	12.5	27	6	9.15	25	9.61	36	4-2371899-1
HARD TRAY	330 X 235 X 19.3	G/F	86.5	8	44.5	91	70	73.15	89	73.61	164	3-2371899-8
HARD TRAY	330 X 235 X 19.3	G/F	53.5	8	28	58	37	40.15	56	40.61	98	3-2371899-7
SOFT TRAY	338 X 235 X 20.3	G/F	36.5	8	19.5	41	20	23.15	39	23.61	64	3-2371899-6
SOFT TRAY	TBD	G/F	22.5	8	12.5	27	6	9.15	25	9.61	36	3-2371899-5
HARD TRAY	330 X 235 X 19.3	G/F	10.0	8	44.5	91	70	73.15	89	73.61	164	3-2371899-4
HARD TRAY	330 X 235 X 19.3	G/F	10.0	8	28	58	37	40.15	56	40.61	98	3-2371899-3
SOFT TRAY	338 X 235 X 20.3	G/F	10.0	8	19.5	41	20	23.15	39	23.61	64	3-2371899-2
SOFT TRAY	TBD	G/F	10.0	8	12.5	27	6	9.15	25	9.61	36	3-2371899-1
HARD TRAY	330 X 235 X 19.3	30u"		NA	44.5	91	70	73.15	89	73.61	164	2-2371899-4
HARD TRAY	330 X 235 X 19.3	30u"		NA	28	58	37	40.15	56	40.61	98	2-2371899-3
SOFT TRAY	338 X 235 X 20.3	30u"		NA	19.5	41	20	23.15	39	23.61	64	2-2371899-2
SOFT TRAY	TBD	30u"		NA	12.5	27	6	9.15	25	9.61	36	2-2371899-1
HARD TRAY	330 X 235 X 19.3	15u"		NA	44.5	91	70	73.15	89	73.61	164	1-2371899-4
HARD TRAY	330 X 235 X 19.3	15u"		NA	28	58	37	40.15	56	40.61	98	1-2371899-3
SOFT TRAY	338 X 235 X 20.3	15u"		NA	19.5	41	20	23.15	39	23.61	64	1-2371899-2
SOFT TRAY	TBD	15u"		NA	12.5	27	6	9.15	25	9.61	36	1-2371899-1
HARD TRAY	330 X 235 X 19.3	G/F		NA	44.5	91	70	73.15	89	73.61	164	2371899-4
HARD TRAY	330 X 235 X 19.3	G/F		NA	28	58	37	40.15	56	40.61	98	2371899-3
SOFT TRAY	338 X 235 X 20.3	G/F		NA	19.5	41	20	23.15	39	23.61	64	2371899-2
SOFT TRAY	TBD	G/F		NA	12.5	27	6	9.15	25	9.61	36	2371899-1

THIS DRAWING IS A CONTROLLED DOCUMENT.

DWN SANDERS_YAN 08APR2020
 CHK MIKE_CHEN 08APR2020
 APVD HOPE_LU 08APR2020

STE TE Connectivity

NAME: PCI EXPRESS CARD EDGE CONNECTOR GEN5, STD, ONE SIDE OPEN

PRODUCT SPEC: 108-160247

APPLICATION SPEC: -

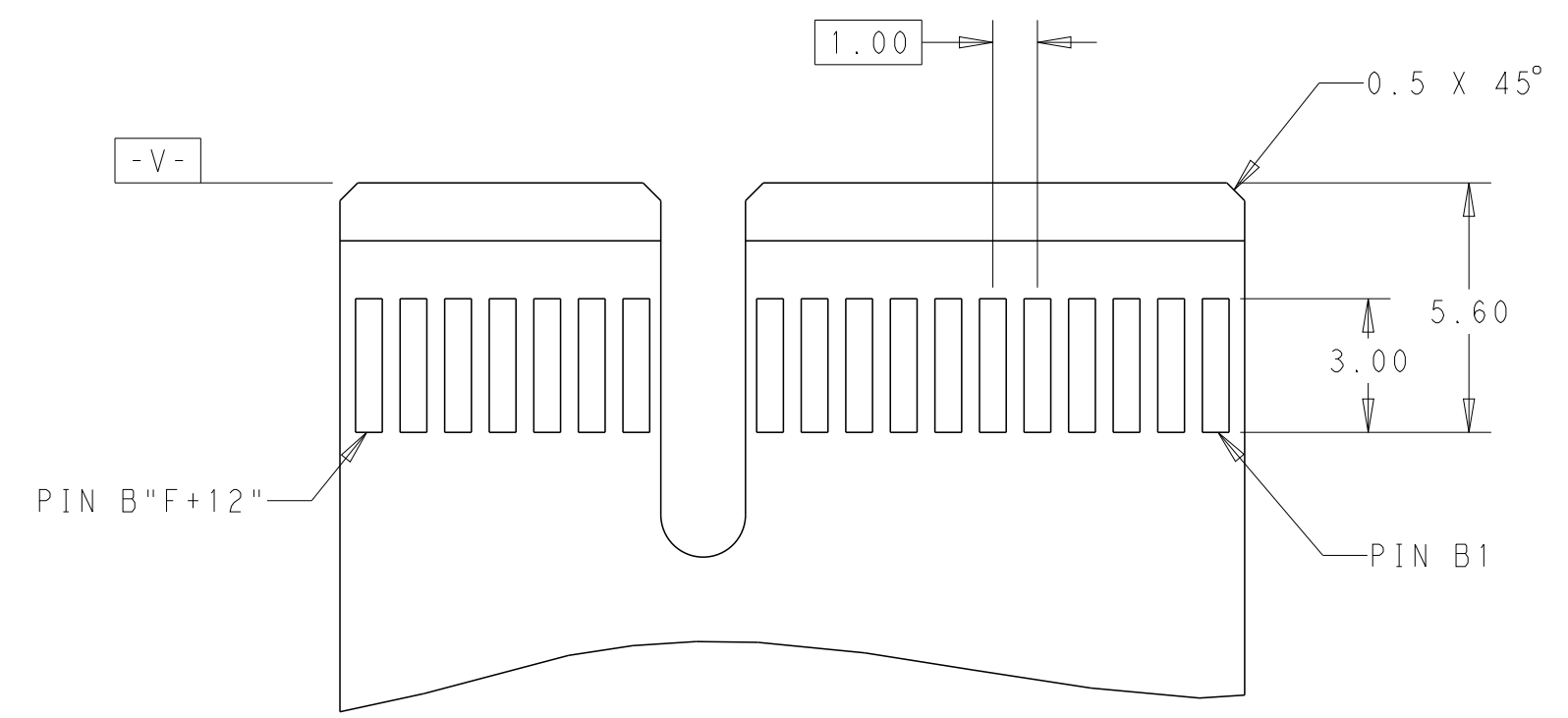
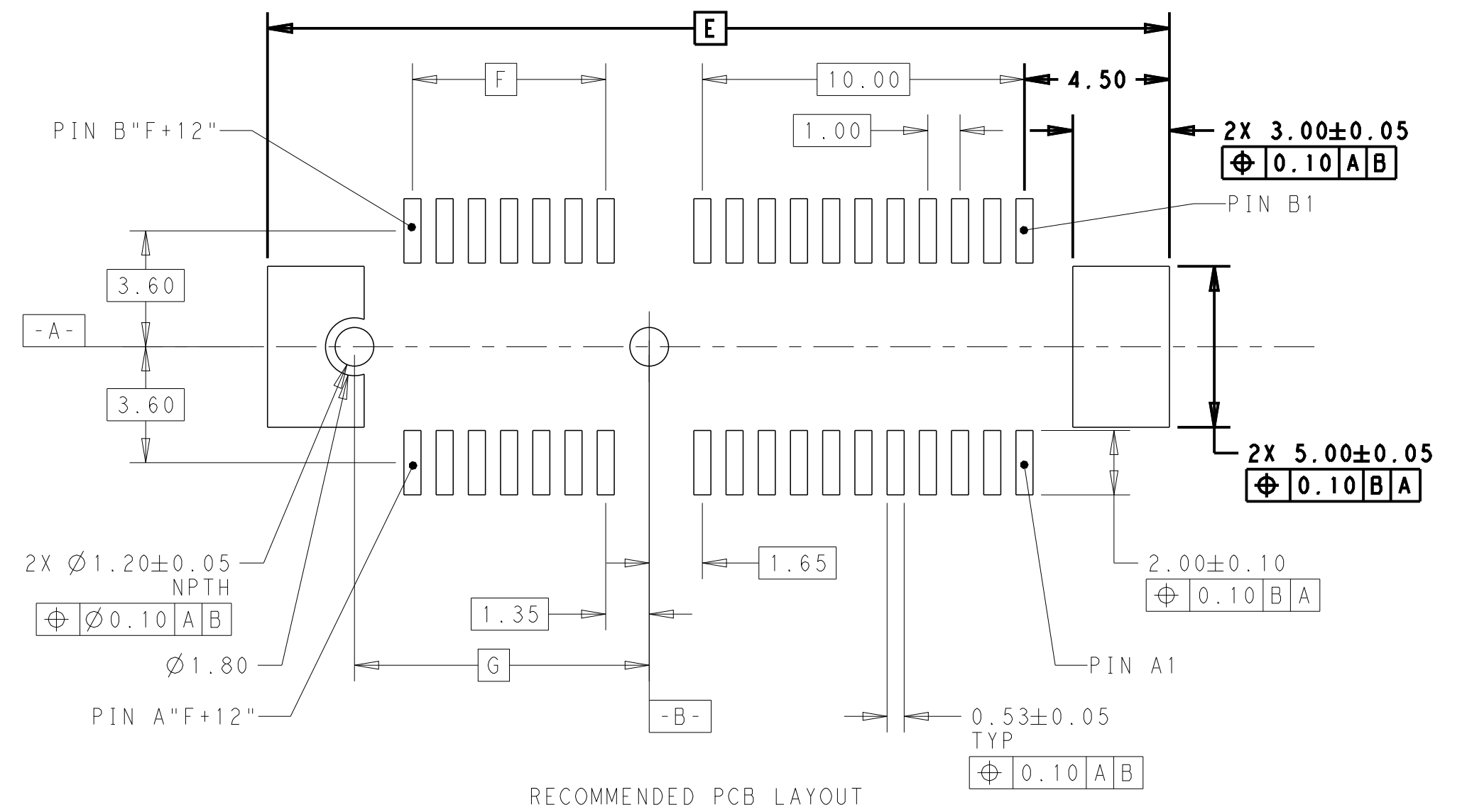
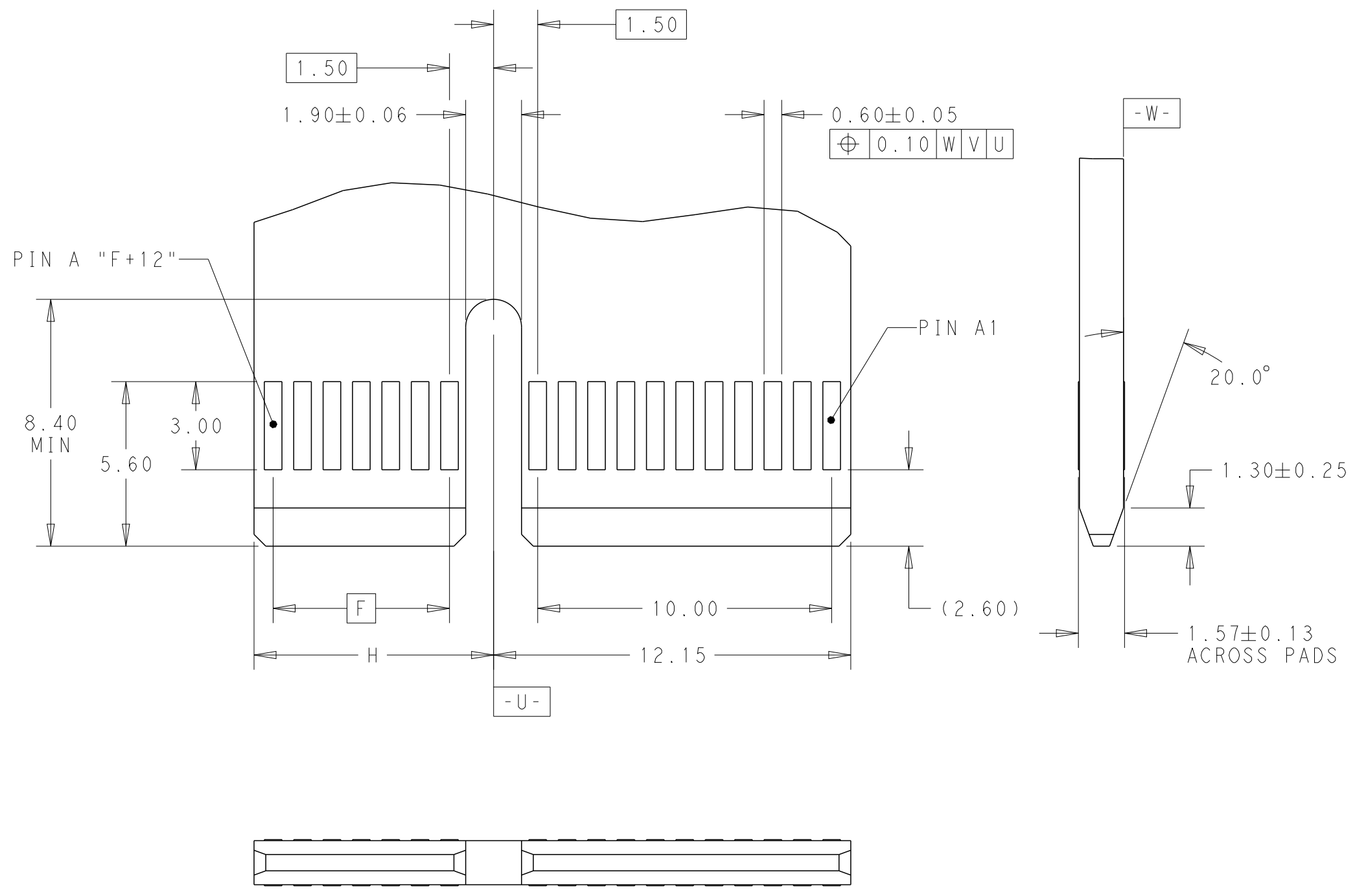
SIZE: A2 CAGE CODE: 00779 DRAWING NO: C-2371899 RESTRICTED TO: -

WEIGHT: -

CUSTOMER DRAWING SCALE: 6:1 SHEET: 2 OF 6 REV: B

THIS DRAWING IS UNPUBLISHED. RELEASED FOR PUBLICATION 20
 © COPYRIGHT 20 BY - ALL RIGHTS RESERVED.

REVISIONS				
P	LTR	DESCRIPTION	DATE	APVD
-	-	SEE SHEET 1	-	-



ADD-IN CARD EDGE-FINGER DIMENSION
 DEFAULT TOLERANCE ±0.13

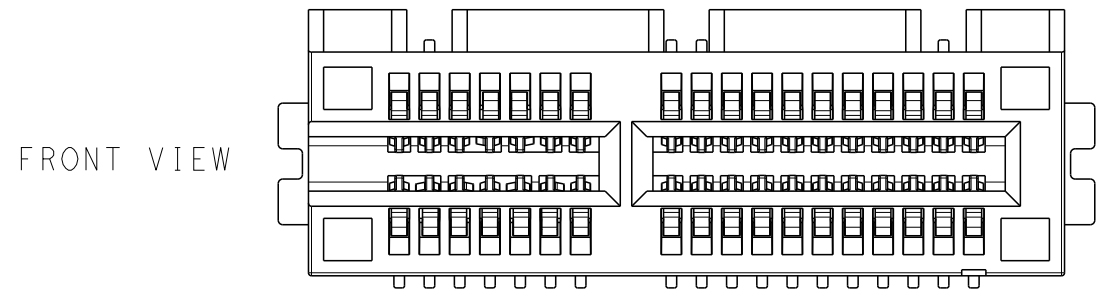
164	92.00	70	73.15	72.15
98	59.00	37	40.15	39.15
64	42.00	20	23.15	22.15
36	28.00	6	9.15	8.15
POS.	DIM. E	DIM. F	DIM. G	DIM. H

THIS DRAWING IS A CONTROLLED DOCUMENT.

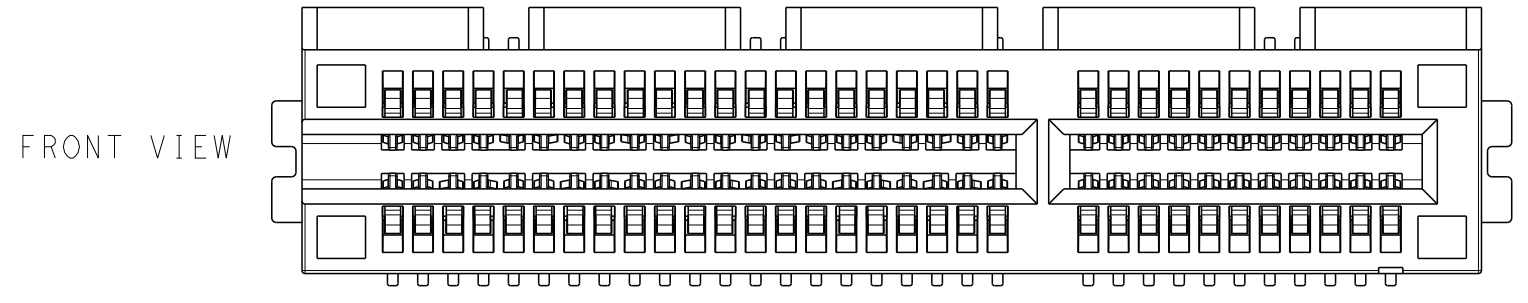
DWN SANDERS YAN 08APR2020	 TE Connectivity	NAME PCI EXPRESS CARD EDGE CONNECTOR GEN5, STD, ONE SIDE OPEN		
CHK MIKE CHEN 08APR2020				
APVD HOPE LU 08APR2020				
PRODUCT SPEC 108-160247				
MATERIAL	SIZE A2	CAGE CODE 00779	DRAWING NO. C-2371899	RESTRICTED TO
	CUSTOMER DRAWING	SCALE 6:1	SHEET 3 OF 6	REV B

THIS DRAWING IS UNPUBLISHED. RELEASED FOR PUBLICATION 20
 © COPYRIGHT 20 BY - ALL RIGHTS RESERVED.

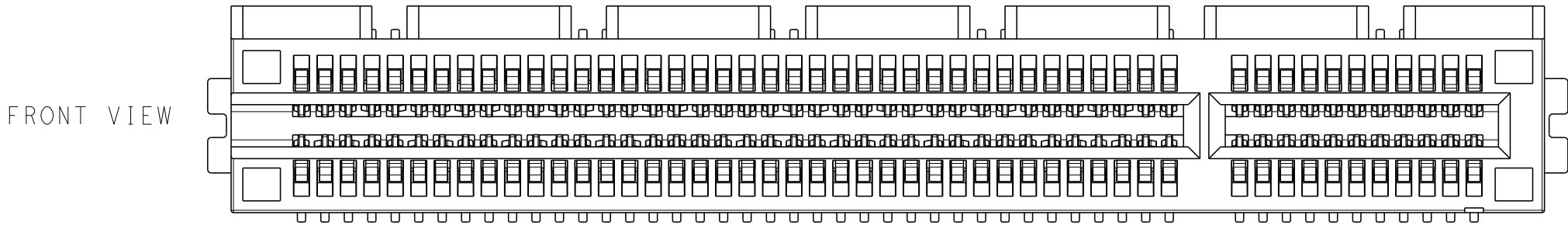
REVISIONS					
P	LTR	DESCRIPTION	DATE	DWN	APVD
-	-	SEE SHEET 1	-	-	-



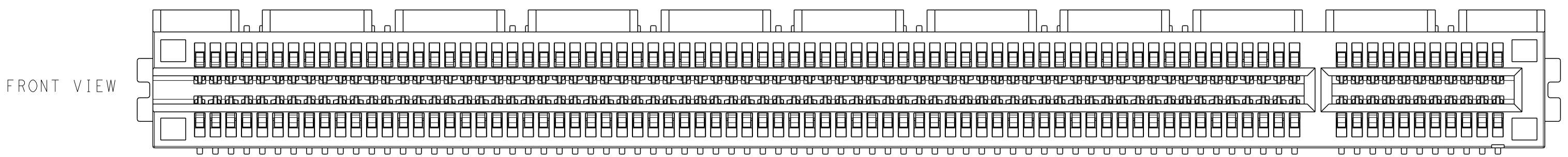
36POS AS SHOWN
SCALE 4:1



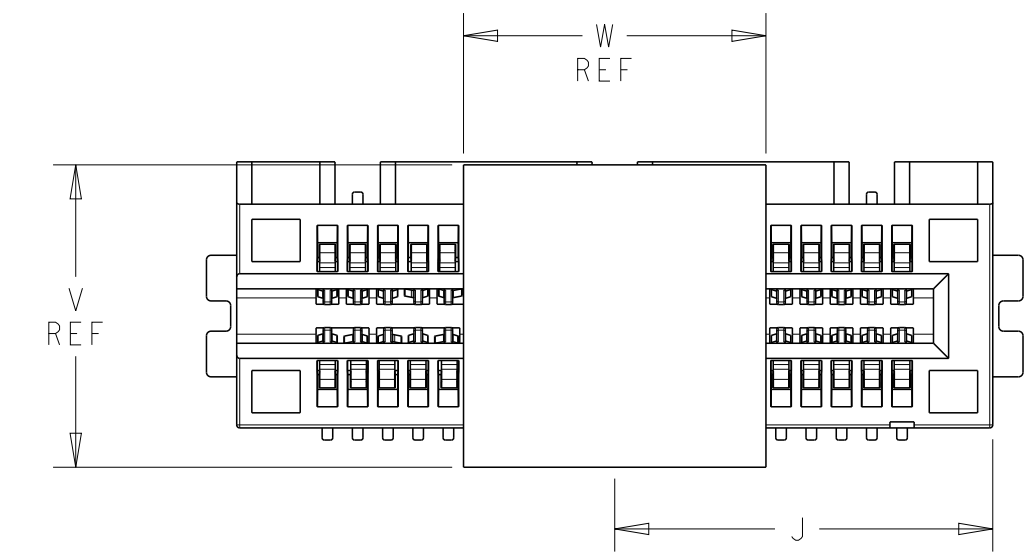
64POS AS SHOWN
SCALE 4:1




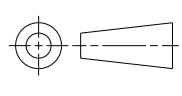
98POS AS SHOWN
SCALE 4:1



164POS AS SHOWN
SCALE 4:1

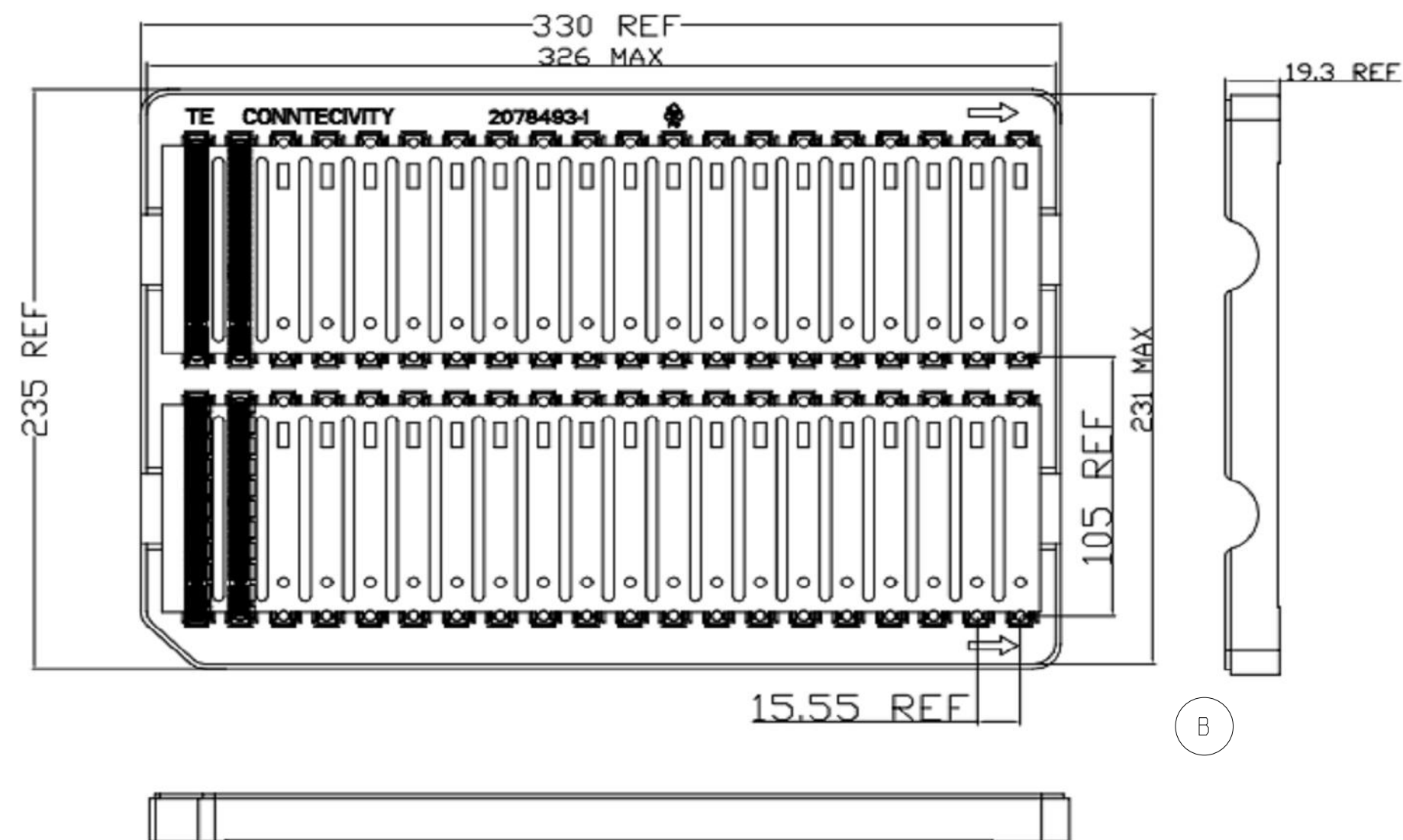


MYLAR SIZE
SCALE 4:1

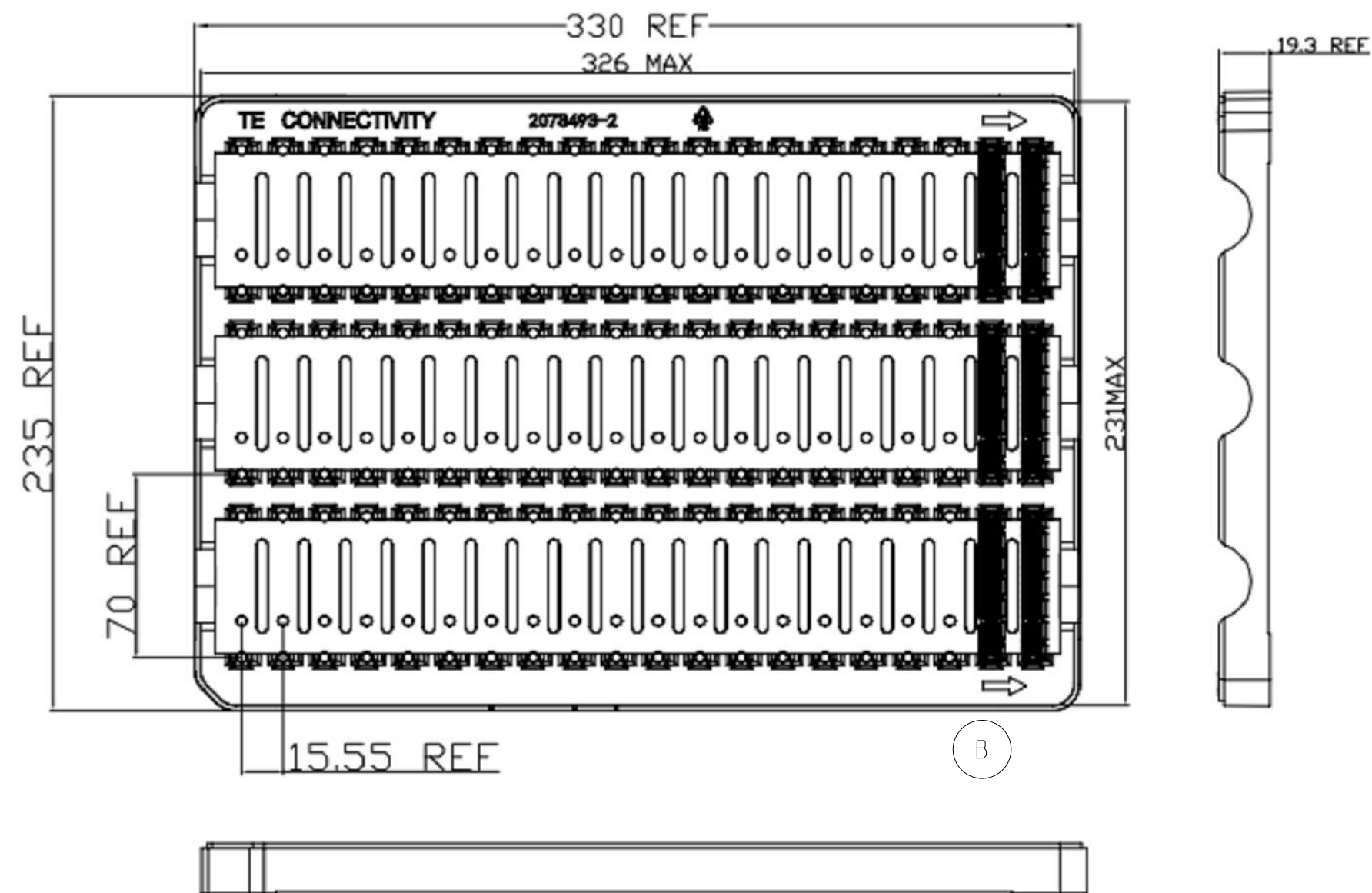
THIS DRAWING IS A CONTROLLED DOCUMENT.		DWN 08APR2020 SANDERS, YAN	 TE Connectivity		
DIMENSIONS: mm		CHK 08APR2020 MIKE, CHEN			
		APVD 08APR2020 HOPE, LU	NAME PCI EXPRESS CARD EDGE CONNECTOR GEN5, STD, ONE SIDE OPEN		
TOLERANCES UNLESS OTHERWISE SPECIFIED:		PRODUCT SPEC 108-160247	SIZE A2	CAGE CODE 00779	DRAWING NO C-2371899
MATERIAL		APPLICATION SPEC -	RESTRICTED TO -		
WEIGHT		CUSTOMER DRAWING	SCALE 6:1	SHEET 4 OF 6	REV B

THIS DRAWING IS UNPUBLISHED. RELEASED FOR PUBLICATION 20
 © COPYRIGHT 20 BY - ALL RIGHTS RESERVED.


REVISIONS					
P	LTR	DESCRIPTION	DATE	DWN	APVD
-	-	SEE SHEET 1	-	-	-



HARD TRAY: FOR 164POS
SCALE 1:2

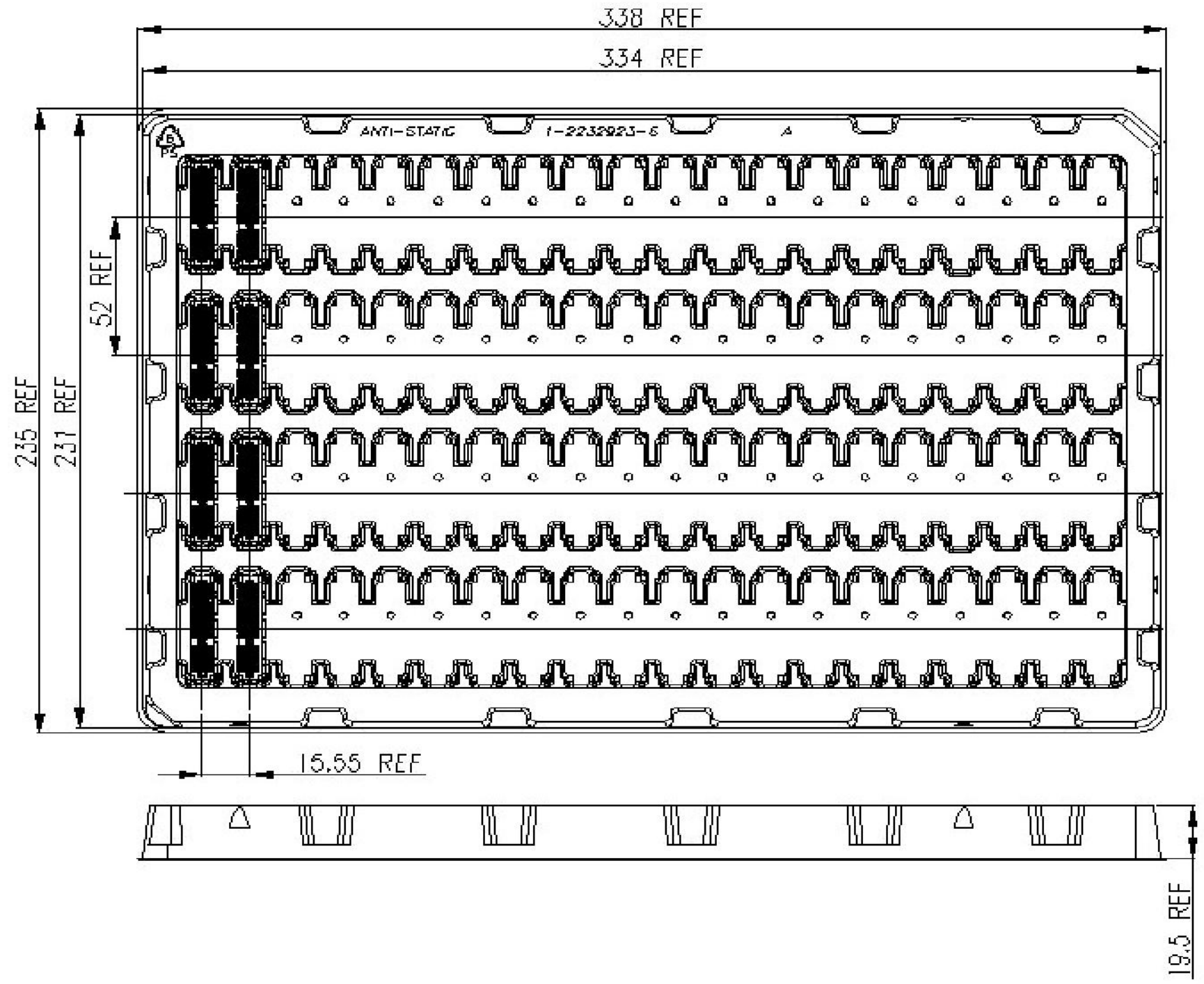


HARD TRAY: FOR 98POS
SCALE 1:2

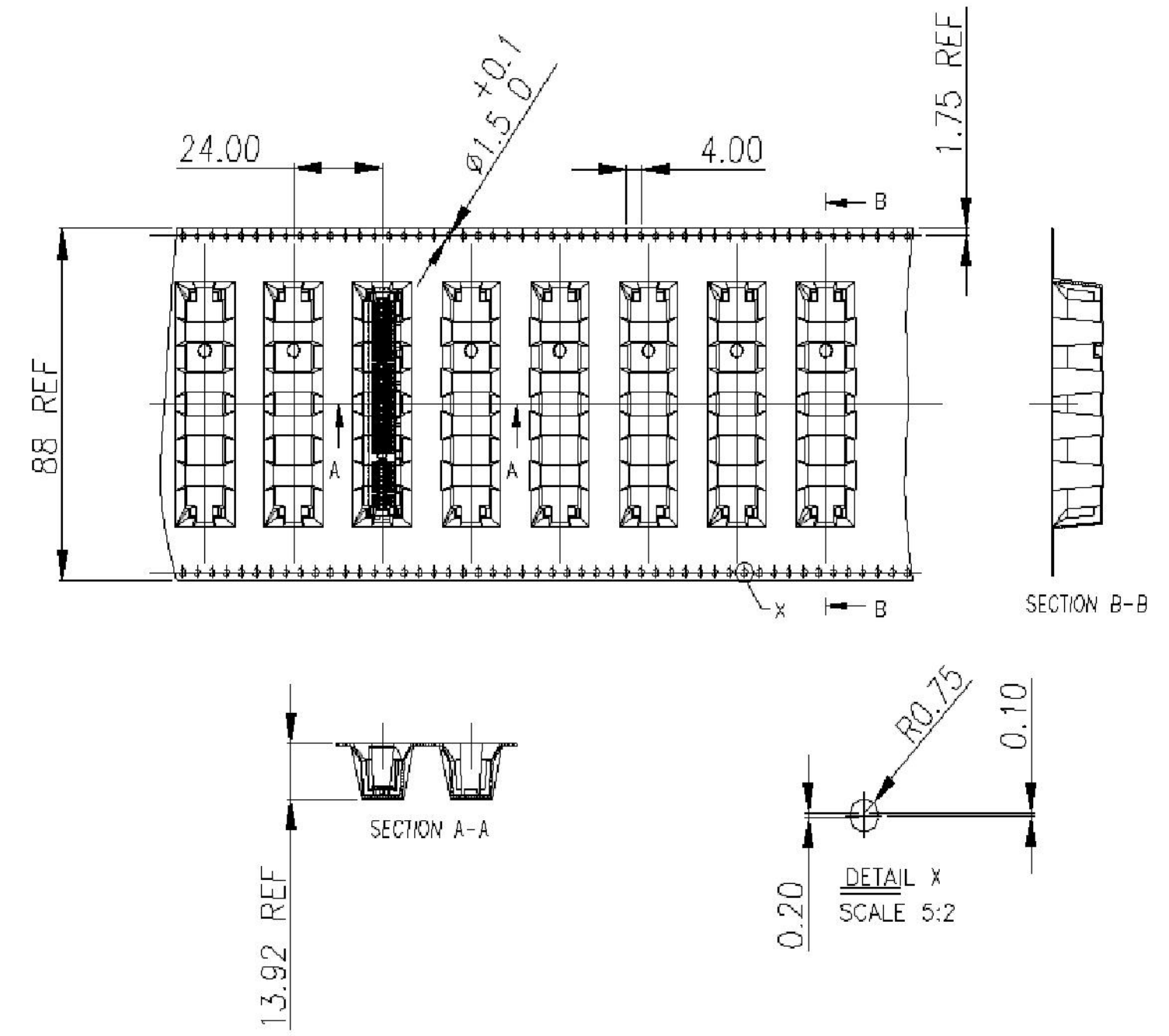
THIS DRAWING IS A CONTROLLED DOCUMENT.		DWN 08APR2020 SANDERS, YAN	 TE Connectivity	
DIMENSIONS: mm		CHK 08APR2020 MIKE, CHEN		
TOLERANCES UNLESS OTHERWISE SPECIFIED:		APVD 08APR2020 HOPE, LU	NAME PCI EXPRESS CARD EDGE CONNECTOR GEN5, STD, ONE SIDE OPEN	
0 PLC ±	1 PLC ±0.3	PRODUCT SPEC 108-160247	SIZE	RESTRICTED TO
2 PLC ±0.20	3 PLC ±0.050	APPLICATION SPEC	CAGE CODE	DRAWING NO
4 PLC ±	ANGLES ±	WEIGHT	A200779	C-2371899
MATERIAL	FINISH	CUSTOMER DRAWING	SCALE 4:1	SHEET 5 OF 6
-	-	-	REV B	

THIS DRAWING IS UNPUBLISHED. RELEASED FOR PUBLICATION 20
 © COPYRIGHT 20 BY - ALL RIGHTS RESERVED.


REVISIONS				
P	LTR	DESCRIPTION	DATE	APVD
-	-	SEE SHEET 1	-	-



SOFT TRAY: FOR 64POS
 SCALE 1:2



TAPE & REEL: FOR 7-2371899-7 (98POS)
 SCALE 1:2

THIS DRAWING IS A CONTROLLED DOCUMENT.		DWN SANDERS_YAN 08APR2020	 TE Connectivity	
DIMENSIONS: mm		CHK MIKE.CHEN 08APR2020		
TOLERANCES UNLESS OTHERWISE SPECIFIED:		APVD HOPE_LU 08APR2020	NAME PCI EXPRESS CARD EDGE CONNECTOR GEN5, STD, ONE SIDE OPEN	
0 PLC	±	PRODUCT SPEC 108-160247	SIZE CAGE CODE DRAWING NO RESTRICTED TO	
1 PLC	±0.3	APPLICATION SPEC	A200779 C-2371899	
2 PLC	±0.20	WEIGHT	SCALE 4:1 SHEET 6 OF 6 REV B	
3 PLC	±0.050	CUSTOMER DRAWING		
4 PLC	±			
ANGLES	±			
FINISH	-			

Mouser Electronics

Authorized Distributor

Click to View Pricing, Inventory, Delivery & Lifecycle Information:

TE Connectivity:

[5-2371899-6](#) [1-2371899-1](#) [1-2371899-2](#) [1-2371899-3](#) [1-2371899-4](#) [2-2371899-1](#) [2-2371899-2](#) [2-2371899-3](#) [2-2371899-4](#) [2371899-1](#) [2371899-2](#) [2371899-3](#) [2371899-4](#) [3-2371899-1](#) [3-2371899-2](#) [3-2371899-3](#) [3-2371899-4](#) [3-2371899-5](#) [3-2371899-6](#) [3-2371899-7](#) [3-2371899-8](#) [4-2371899-1](#) [4-2371899-2](#) [4-2371899-3](#) [4-2371899-4](#) [4-2371899-5](#) [4-2371899-6](#) [4-2371899-7](#) [4-2371899-8](#) [5-2371899-1](#) [5-2371899-2](#) [5-2371899-3](#) [5-2371899-4](#) [5-2371899-5](#) [5-2371899-7](#) [5-2371899-8](#) [7-2371899-4](#) [7-2371899-7](#)