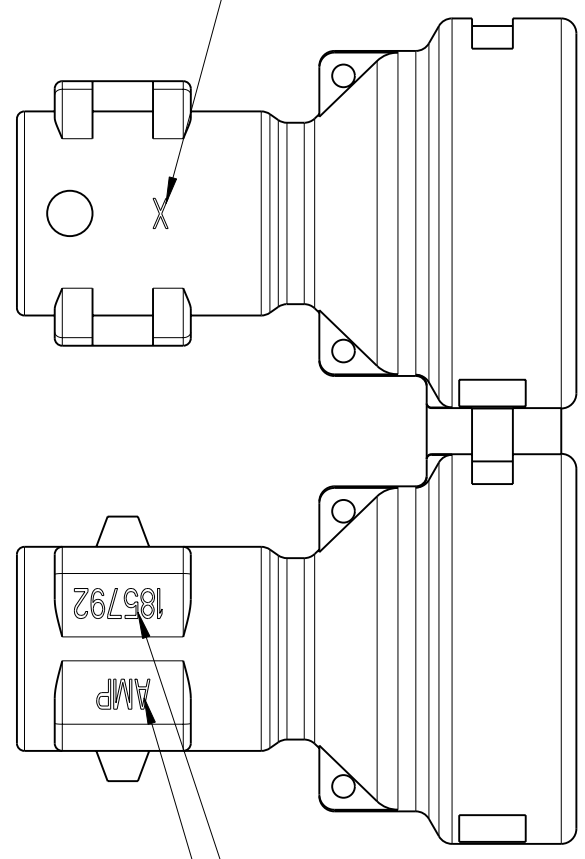


THIS DRAWING IS UNPUBLISHED. RELEASED FOR PUBLICATION 20
 © COPYRIGHT 20 BY TYCO ELECTRONICS CORPORATION. ALL INTERNATIONAL RIGHTS RESERVED.

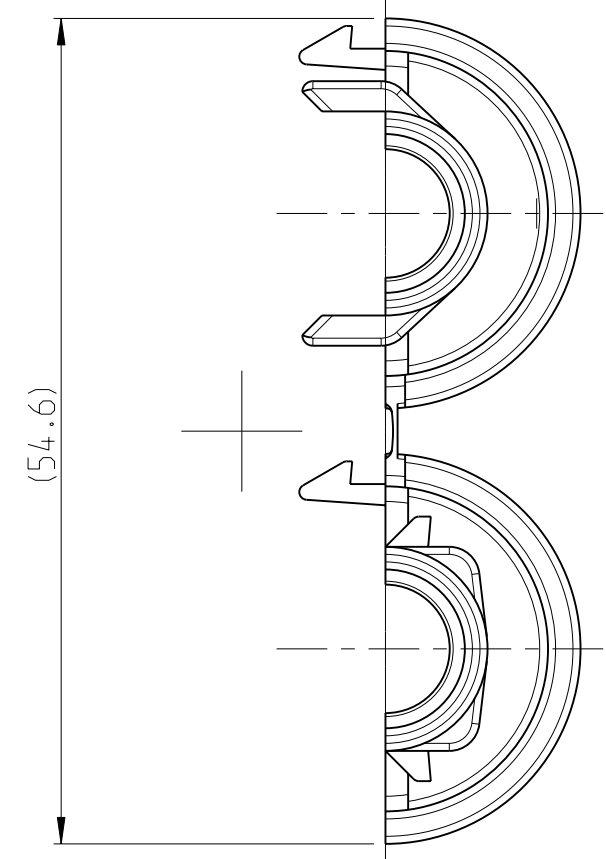
LOC	DIST	REVISIONS			
P	LTR	DESCRIPTION	DATE	DWN	APVD
F	00	A	FIRST ISSUE	16 JUN 2010	P.B JP.P

NUMERO D'EMPREINTES
(MOLD CAVITY NUMBER)



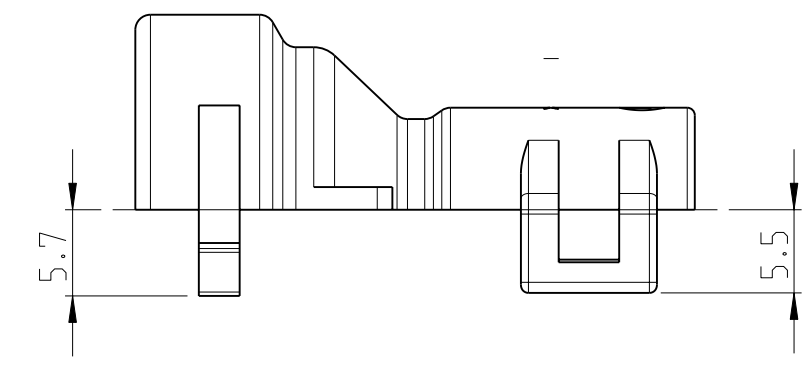
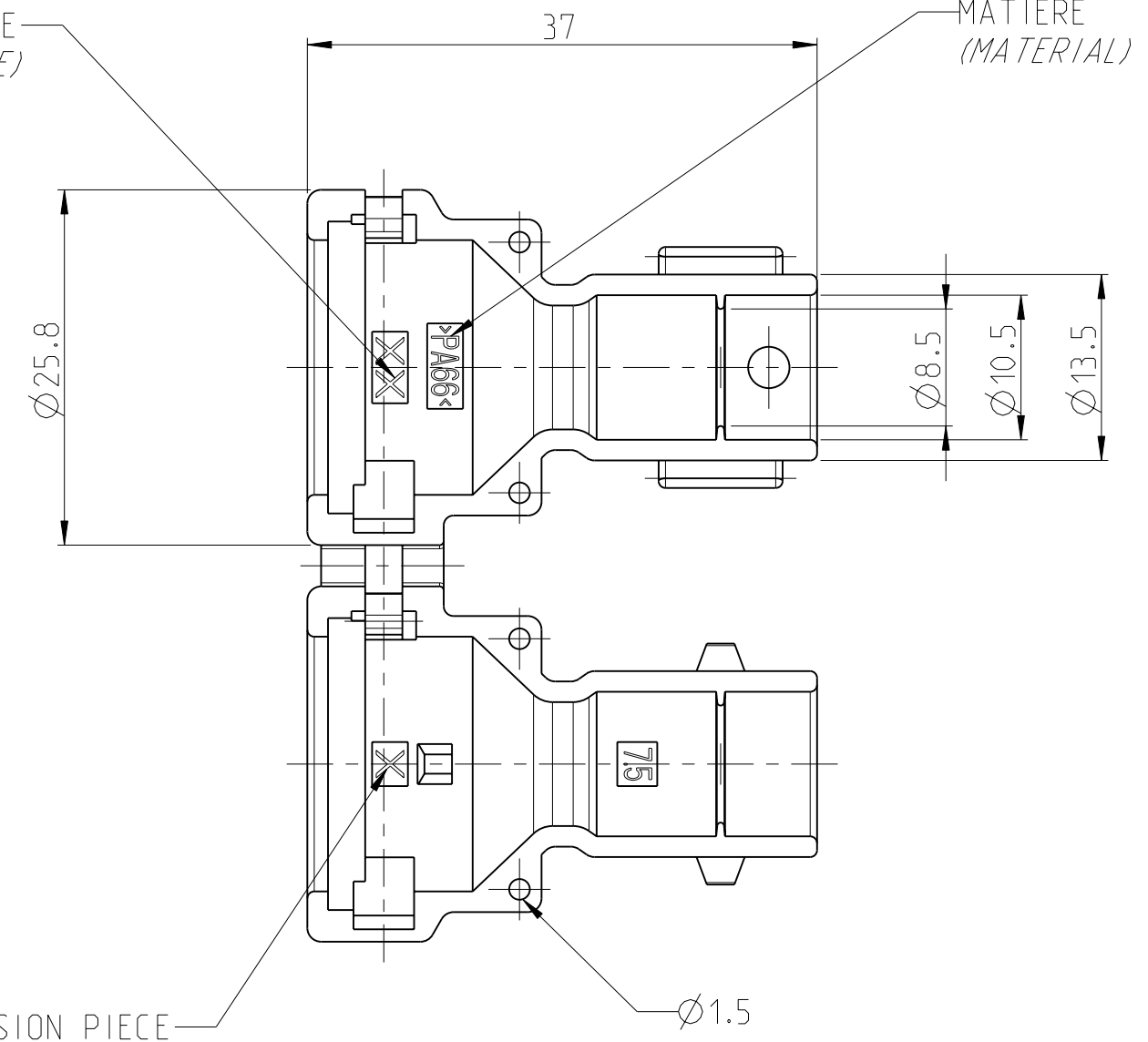
REFERENCE DE LA PIECE
(PART NUMBER)

LOGO TE
(TE LOGO)



DATE DE MOULAGE
(DATE CODE)

INDICE DE REVISION PIECE
(PART REVISION CODE)



185792-1	PA 66	NOIR BLACK
REFERENCE TYCO ELECTRONICS TYCO ELECTRONICS PART NUMBER	MATIERE MATERIAL	COULEUR COLOR

THIS DRAWING IS A CONTROLLED DOCUMENT FOR TYCO ELECTRONICS CORPORATION IT IS SUBJECT TO CHANGE AND THE CONTROLLING ENGINEERING ORGANIZATION SHOULD BE CONTACTED FOR THE LATEST REVISION.		DWN P.BACHELOT 14 JUN 2010	Tyco Electronics France SAS 95300 Pontoise, France	
DIMENSIONS: mm		CHK JP.PICAUD 14 JUN 2010	NAME 180 DEG CAP CORRUGATED TUBE WITH PLUMBING HOLES ADAPTATEUR POUR GAINNE ANNELEE 7.5	
TOLERANCES UNLESS OTHERWISE SPECIFIED:		APVD JJ.REVIL 14 JUN 2010	SIZE A2	CAGE CODE 00779
0 PLC ±		PRODUCT SPEC -	DRAWING NO C=185792	RESTRICTED TO -
1 PLC ±		APPLICATION SPEC -	SCALE 2:1	SHEET 1 OF 1
2 PLC ±0.2		WEIGHT 5 gr	REV A	
3 PLC ±		CUSTOMER DRAWING		
4 PLC ±				
ANGLES ±				
FINISH				
MATERIAL SEE TABLE				