

This document is the property of Amphenol Corporation and is delivered on the express condition that is not to be disclosed, reproduced or used, in whole or in part, for manufacture or sale by anyone other than Amphenol Corporation without its prior consent, and that no right is granted to disclose or to use any information in this document.

The marking on this product doesn't contain environmental hazardous material and must follow one or more specifications per Material Specification SS-00259 for Sony GP compliant or per directive 2011/65/EU for RoHS compliant or per IEC 61249-2-21 for Halogen Free compliant.

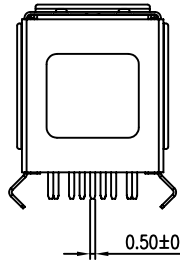
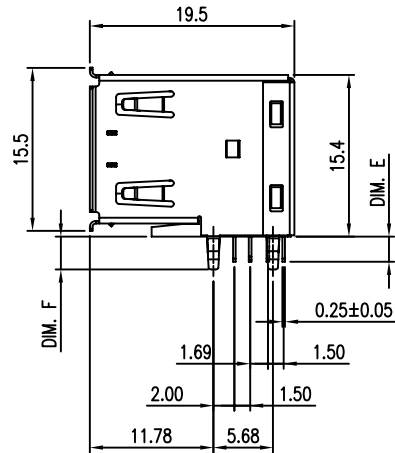
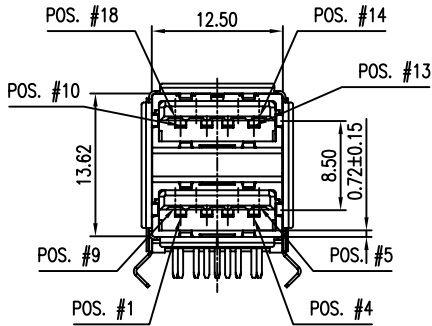
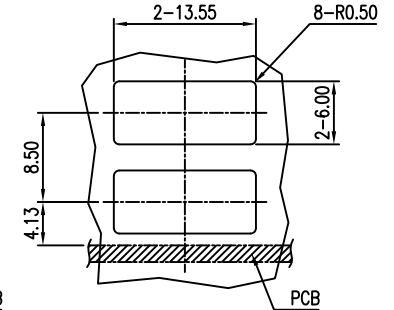
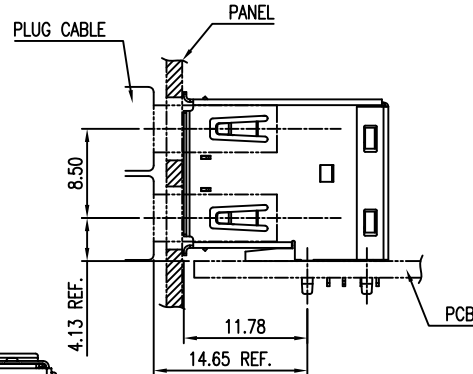
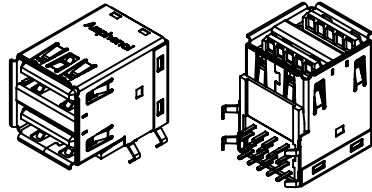
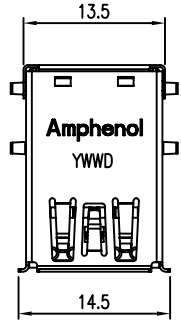
PART NUMBER:
GSB3 112 X X X HR

CONTACT FINISH
3: 30μ" GOLD
4: 2μ" GOLD+
30μ" Ni-Pd

SOLDER TAIL LENGTH
BLANK: Standard (2.4mm)
1: 3.00mm

INSULATOR AND COLOR
1: LCP, Blue
3: LCP, Black
4: Nylon, Blue
6: Nylon, Black

REVISIONS				
SYM	ECN No.	DESCRIPTION	DATE	BY
A		RELEASE TO PRODUCTION	07/02/2010	Sondra Sang
B	NE-10119	MODIFIED THE FRONT SHELL PLATING	07/28/2010	Sondra Sang
C	NE-10123	MODIFIED PINS	08/06/2010	Sondra Sang
D	NE-10161	MODIFIED MATERIAL	10/06/2010	Sondra Sang
E	NE-11083	ADDED PANEL CUTOUT	06/23/2011	Sondra Sang
F	NE-14014	MODIFIED PINS ADDED OPTIONS	01/22/2014	Sondra Sang
A1	NE-15033	ADD SHRAPNEL HEIGHT DIM	08/11/2015	Arron Lin
B1	NE-16280	ADDED D/C PK	12/06/2016	Arron Lin



RECOMMEND MOUNTING CONFIGURATION

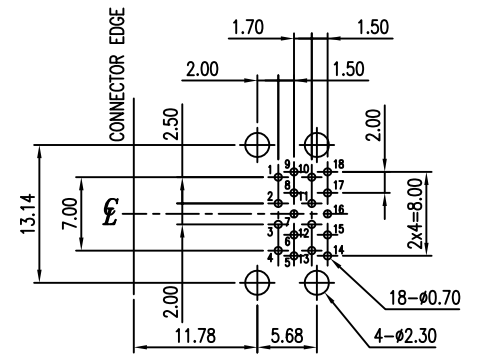
RECOMMEND PANEL CUTOUT



PART NO	DIM. E	DIM. F
GSB3112XXHR	2.4	3.0
GSB3112XX1HR	3.0	3.5

- NOTES:
- HOUSING: HIGH TEMPERATURE THERMOPLASTIC, UL 94V-0 OR 94H-B, COLOR- BLUE (PANTONE 300C) OR BLACK
 - BOTTOM COVER: HIGH TEMPERATURE THERMOPLASTIC, UL 94V-0, COLOR- BLUE (PANTONE 300C) OR BLACK
 - CONTACT: COPPER ALLOY, 0.25mm THICKNESS, 30μ" MIN. GOLD or 2μ" MIN. GOLD +30μ" MIN. Ni-Pd PLATED ON CONTACT AREA, 120μ" MIN. MATTE TIN PLATED ON SOLDERING TAIL, 80μ" MIN. NICKEL UNDER-PLATED OVERALL
 - FRONT SHELL: STAINLESS STEEL, 0.25mm THICKNESS, 30μ" MIN. NICKEL PLATED OVER ALL
 - MIDDLE SHELL: STAINLESS STEEL, 0.25mm THICKNESS,
 - REAR SHELL: STAINLESS STEEL, 0.2mm THICKNESS,
 - THIS PRODUCT DOESN'T CONTAIN ENVIRONMENTAL HAZARDOUS MATERIALS PER DIRECTIVE 2011/65/EU FOR RoHS AND PER IEC 61249-2-21 FOR HALOGEN FREE COMPLIANT.

PIN #	PIN #	SIGNAL NAME
1	10	VBUS
2	11	D-
3	12	D+
4	13	GND
5	14	SSRX-
6	15	SSRX+
7	16	GND_DRAIN
8	17	SSTX-
9	18	SSTX+
SHELL		SHIELD

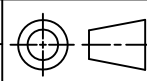


RECOMMENDED PCB LAYOUT- TOP VIEW
(GENERAL TOLERANCE: ±0.05)

PIN ASSIGNMENT

TOLERANCE	APPROVALS	DATE	TITLE	UNIT	SIZE	PART No.
X.	DRAWN Debby Hung	12/06/2016	USB 3.0 CONNECTOR STANDARD A, STACKED, R/A DIP TYPE	mm	A3	GSB3 112 XX XHR
X.X ±0.30						
X.XX ±0.20	CHECKED Roger Tsai	12/06/2016		NA	1 OF 2	GSB311231HR
X.XXX ±0.10						
ANGULAR ±1°	APPROVED Arron Lin	12/06/2016				
UNLESS OTHERWISE SPECIFIED	DWG TYPE CUST DWG	PROJECT CODE OTHER				

Amphenol®
Amphenol Corporation
Amphenol Taiwan Corporation



REV. B1

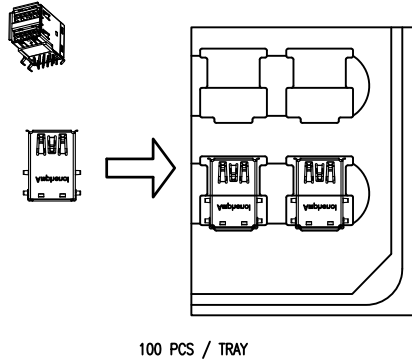
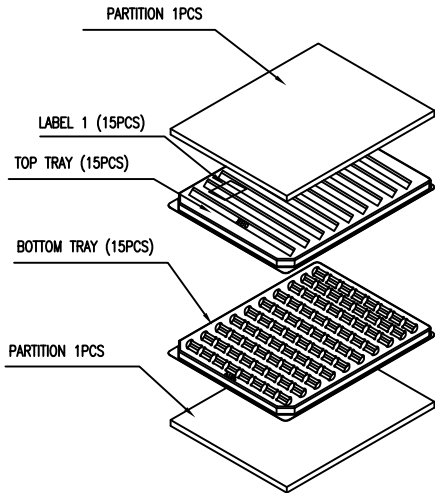
This document is the property of Amphenol Corporation and is delivered on the express condition that is not to be disclosed, reproduced or used, in whole or in part, for manufacture or sale by anyone other than Amphenol Corporation without its prior consent, and that no right is granted to disclose or to use any information in this document.

The marking on this product doesn't contain environmental hazardous material and must follow one or more specifications per Material Specification SS-00259 for Sony GP compliant or per directive 2011/65/EU for RoHS compliant or per IEC 61249-2-21 for Halogen Free compliant.

ORIGINAL

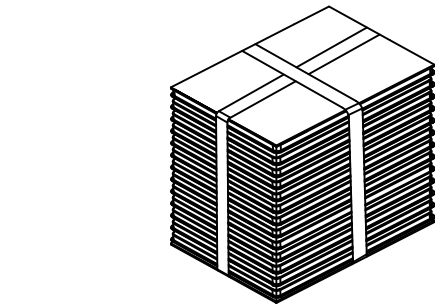


REVISIONS				
SYM	ECN No.	DESCRIPTION	DATE	BY
A		RELEASE TO PRODUCTION	07/02/2010	Sondra Sang
B	NE-10119	MODIFIED THE FRONT SHELL PLATING	07/28/2010	Sondra Sang
C	NE-10123	MODIFIED PNS	08/06/2010	Sondra Sang
D	NE-10161	MODIFIED MATERIAL	10/06/2010	Sondra Sang
E	NE-11083	ADDED PANEL CUTOUT	06/23/2011	Sondra Sang
F	NE-14014	MODIFIED PNS ADDED OPTIONS	01/22/2014	Sondra Sang
A1	NE-15033	ADD SHRAPNEL HEIGHT DIM	08/11/2015	Arron Lin
B1	NE-16280	ADDED D/C PK	12/06/2016	Arron Lin

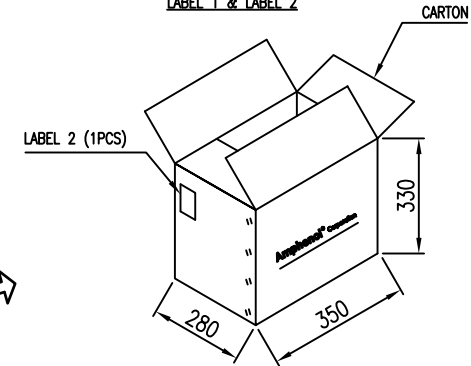
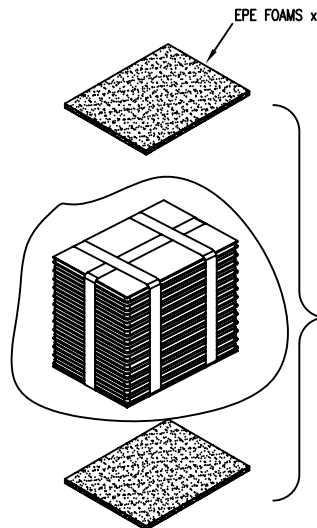


IPN : GSBX11231HR	
QTY : 100	LABEL 1 = QTY : 100
P/O : 411-012345-001	LABEL 2 = QTY : 1500
DATE : 04 / 01 / 2010	
MM / DD / YYYY	
G.W : 15.00 KG	RoHS
Amphenol Taiwan Corporation	

LABEL 1 & LABEL 2



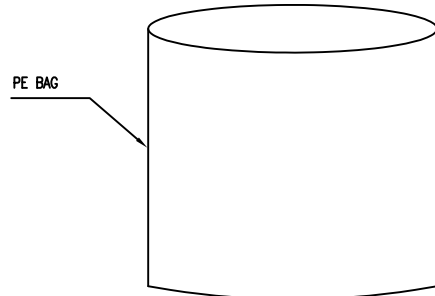
= 15 TRAYS / SETS
+ PARTITION X2PCS



- NOTES:
1. MATERIAL: TRAY- PET
 2. THICKNESS: 0.80 mm MINIMUM
 3. THE BARCODE MUST BE 3 OF 9 BARCODE
 4. COMPONENTS LOAD PER THE TRAY: 100 PCS.
 5. THIS PRODUCT DOESN'T CONTAIN ENVIRONMENTAL HAZARDOUS MATERIALS PER DIRECTIVE 2011/65/EC FOR RoHS COMPLIANT

PART NO.	PCS. / TRAY	TRAY / CARTCON	N.W.	G.W.
GSBX112XXHR	100 PCS.	100X15=1500 PCS.	*	* Kg

(***) FOR REFERENCE



TOLERANCE		APPROVALS		DATE	TITLE	Amphenol®					
X.		DRAWN	Debby Hung	12/06/2016	USB 3.0 CONNECTOR STANDARD A, STACKED, R/A DIP TYPE	Amphenol Corporation					
X.X	±0.30	CHECKED	Roger Tsai	12/06/2016		Amphenol Taiwan Corporation					
X.XX	±0.20	APPROVED	Arron Lin	12/06/2016		PART No.	GSB3 112 XX XHR				
X.XXX	±0.10	DWG TYPE	CUST DWG	PROJECT CODE	OTHER	SHEET	2 OF 2	DWG No.	GSB311231HR	REV.	B1
ANGULAR	±1°				UNIT	mm	SIZE	A3			
UNLESS OTHERWISE SPECIFIED					SCALE	NA	SHEET	2 OF 2			

Mouser Electronics

Authorized Distributor

Click to View Pricing, Inventory, Delivery & Lifecycle Information:

[Amphenol:](#)

[GSB311231HR](#) [GSB3112311HR](#) [GSB311233HR](#)