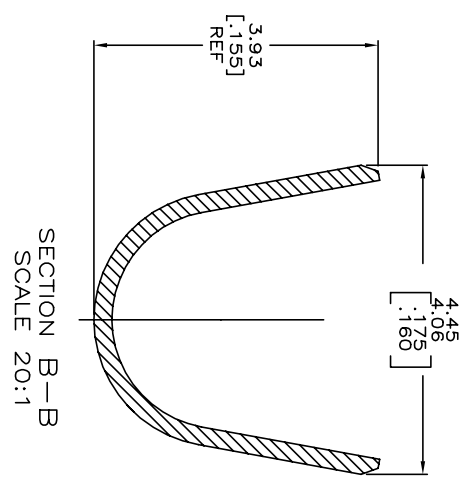
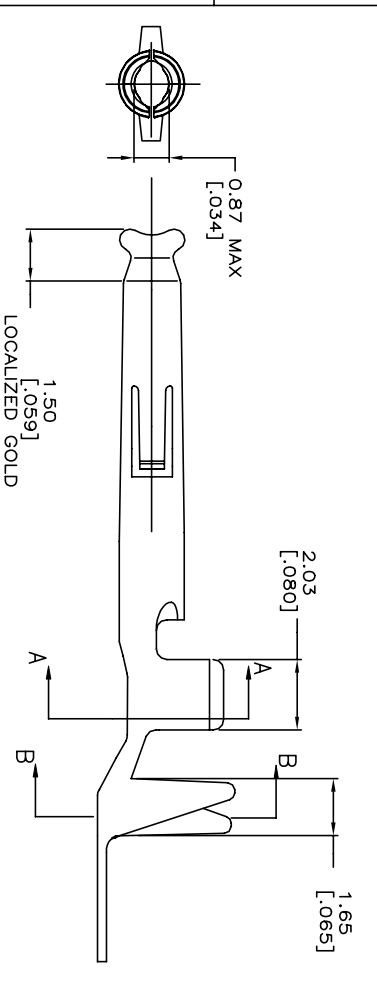
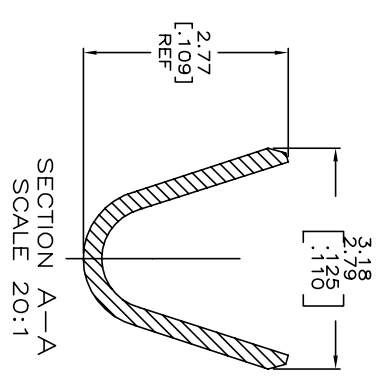


- 1. WIRE RANGE: 0.5-1.4MM<sup>2</sup> (20-16 AWG).
- 2. INSULATION RANGE: 2.01-3.20 [.079-.126] DIA.
- 3. 0.00076 [.000030] MIN GOLD PER IN LOCALIZED GOLD PLATE AREA AND 0.00254-0.00635 [.000100-.000250] BRIGHT TIN-LEAD PER IN LOCALIZED TIN-LEAD PLATE AREA OVER 0.00127 [.000050] MIN NICKEL.



△4	0.20 [.008] PH BRZ	1-794407-1
△4	0.20 [.008] BRASS	1-794407-0
△1	0.25 [.010] PHOS BRONZE	794407-6
△1	0.25 [.010] PHOS BRONZE	794407-4
△1	0.25 [.010] BRASS	794407-3
PRE-TIN	0.25 [.010] BRASS	794407-1

SUPERCEDED BY 1-794407-0



THIS DRAWING IS A CONTROLLED DOCUMENT.

DATE	10/03/00	BY	HOOPER	DATE	10/03/00	BY	HOOPER
REV	000000	DESCRIPTION	MINI UNIVERSAL MATE-N-LOK(TM) SOCKET	REV	000000	DESCRIPTION	MINI UNIVERSAL MATE-N-LOK(TM) SOCKET

TE Connectivity

10.1 1 of 1

# Mouser Electronics

Authorized Distributor

Click to View Pricing, Inventory, Delivery & Lifecycle Information:

[TE Connectivity:](#)

[794407-1 \(MOUSER REEL\)](#) [794407-1 \(CUT STRIP\)](#) [1-794407-0 \(Mouser Reel\)](#) [1-794407-0 \(Cut Strip\)](#)