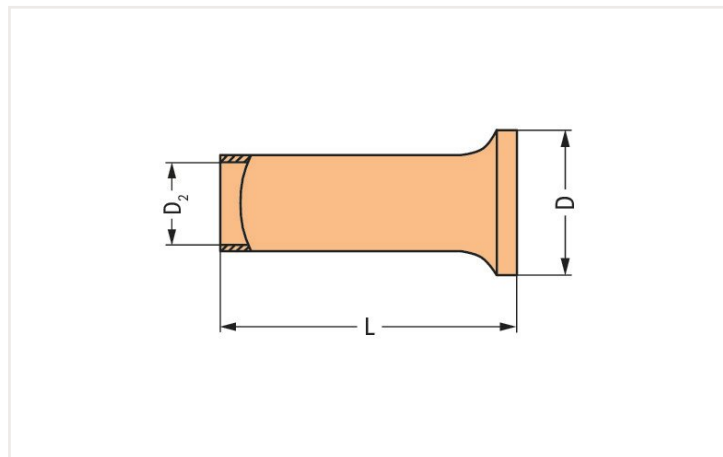


<https://www.wago.com/216-103>



Dimensions in mm

Technical data

Main product function	Ferrule
Sleeve cross-section (AWG)	18 AWG
Sleeve for	1 mm ²

Connection data

Strip length	8 mm / 0.31 inches
--------------	--------------------

Physical data

Length	8 mm
Diameter	2.5 mm
Diameter 2	1.4 mm

Material Data

Fire load	0 MJ
Weight	0.1 g

Commercial data

Product Group	2 (Terminal Block Accessories)
eCl@ss 10.0	27-40-02-01
eCl@ss 9.0	27-40-02-01
ETIM 8.0	EC000005
ETIM 7.0	EC000005
PU (SPU)	5000 (1000) pcs
Packaging type	Box
Country of origin	DE
GTIN	4017332277655
Customs tariff number	85369010000

Downloads

Environmental Product Compliance



Compliance Search

Environmental Product
Compliance 216-103



Documentation

Bid Text

216-103	11.09.2017	doc 24.50 KB	
216-103	19.02.2019	xml 2.77 KB	

Installation notes

A perfect gas-tight crimp – both electrical-
ly and mechanically reliable