

FEATURES

- IP44 ingress protection
- Made from a toughened engineering plastic
- High thermal stability
- High mechanical strength
- Halogen free
- Self-extinguishing
- Nickel plated brass contacts
- Excellent corrosion and abrasion resistance

RS PRO IP44 Red Cable Mount 3P+E Industrial Power Plug, Rated At 32.0A, 415.0 V

RS Stock No.: 724-9091



RS Professionally Approved Products bring to you professional quality parts across all product categories. Our product range has been tested by engineers and provides a comparable quality to the leading brands without paying a premium price.

Product Description

From RS Pro, a range of IP44 splash proof industrial cable mount plugs that are reliable and simple to assemble. The outer casing and inner contact carrier are constructed from a toughened engineering material designed to provide high thermal stability and mechanical strength. Nickel plated brass contact pins ensure excellent corrosion and abrasion resistance. A domed cable gland at the rear of the splash proof connector provide external cable clamping and additional support. Stylishly designed, the RS Pro range of industrial BS4343 plugs perform extremely well in the most challenging environments. All models are highly reliable and excellent quality.

Power plug [724-9088](#) mates with Connector (socket) [724-9108](#)

Power plug [724-9079](#) mates with Connector (socket) [724-9104](#)

Power plug [724-9081](#) mates with Connector (socket) [724-9117](#)

Power plug [724-9085](#) mates with Connector (socket) [724-9110](#)

Power plug [724-9091](#) mates with Connector (socket) [724-9126](#)

Power plug [724-9097](#) mates with Connector (socket) [724-9123](#)

General Specifications

Pole Format	3P+E
Gender	Male
Body Orientation	Straight
Material	Engineering Plastic
Colour	Red
Applications	Providing power for machinery on construction sites, Woodworking machines, Maintenance workshops in the light industry

Electrical Specifications

Current Rating	32A
Voltage Rating	415V
Plug/Socket	Plug
Termination Method	Screw
Cable CSA	6.0mm ²
Contact Material	Nickel plating Brass

Mechanical Specifications

Mounting Type

Cable Mount

Protection Category

IP Rating

IP44

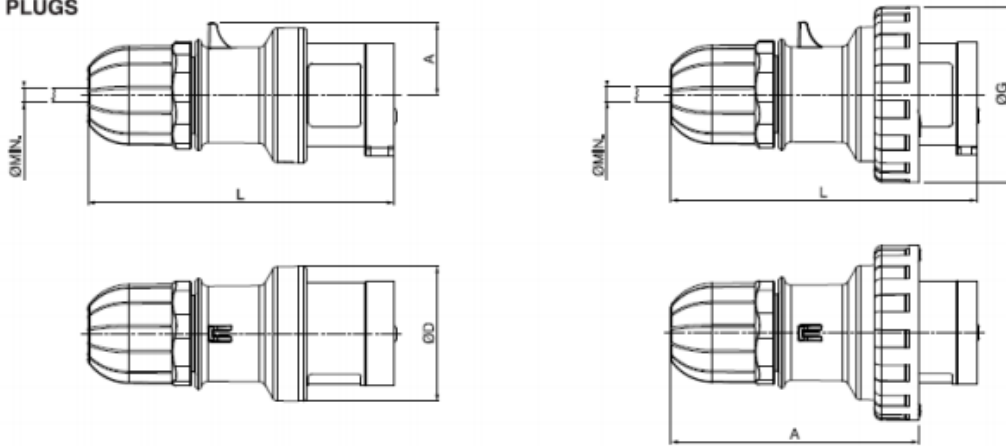
Approvals

Compliance/Certifications

EN 60529



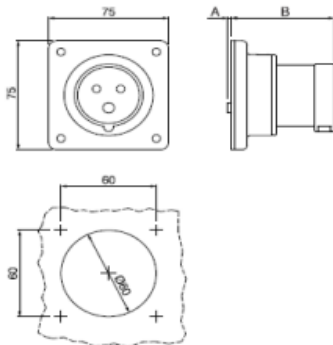
PLUGS



IP44	A	Ø D	L Min	Ø Min
2P+E	30	56	128	6
16A 3P+E	34	60	135	6
3P+N+E	38	65	153	9
2P+E	40	65	162	9
32A 3P+E	40	65	162	9
3P+N+E	45	73	176	13

IP66/IP67	A	Ø G	L Min	Ø Min
2P+E	103	73	128	6
16A 3P+E	110	81	135	6
3P+N+E	129	88	153	9
2P+E	131	93	162	9
32A 3P+E	131	93	162	9
3P+N+E	145	101	176	13
63A	160	112	220	17
125A	202	128	272	26

APPLIANCE INLETS - IP44



IP44	A	B
2P+E	2	65
16A 3P+E	2	65
3P+N+E	2	65
2P+E	19	73
32A 3P+E	19	73
3P+N+E	19	73