

**Adaptor M12 female / RJ45 90°**

4-pol., shielded, CAT5

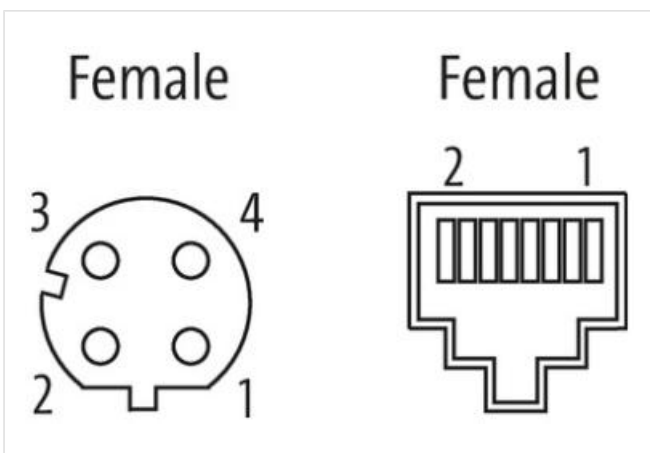
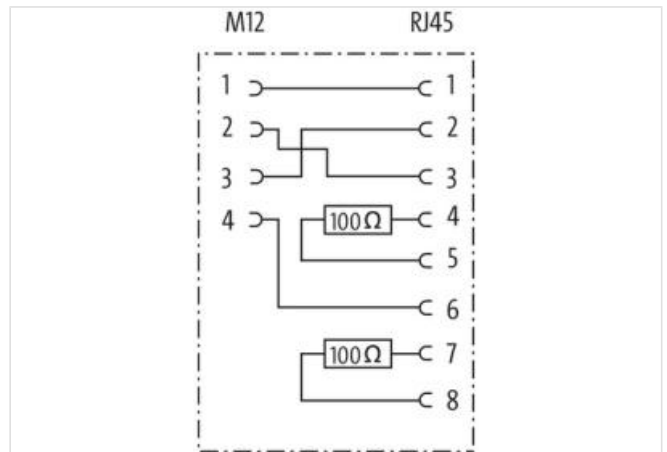
Ethernet CAT5  
 Control cabinet entry system  
 Female straight – female 90°  
 M12 – RJ45, 4-pole  
 D-coded  
 shielded

Plastic housings with good resistance against chemicals and oils.

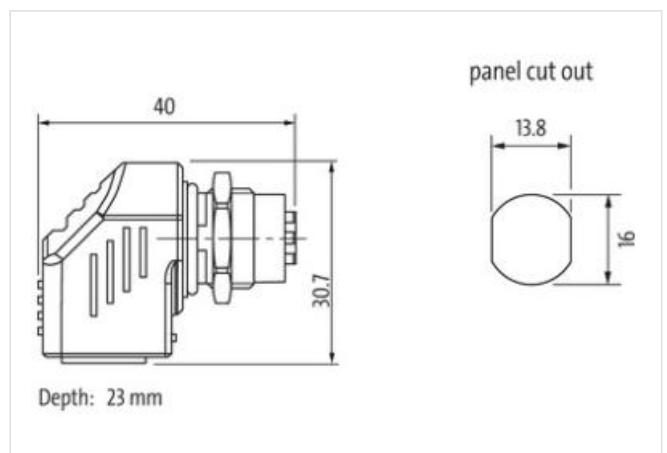
The resistance to aggressive media should be individually tested for your application. Further details on request.

[Link to Product](#)

**Illustration**



Product may differ from Image



**Form**

Form 44681

**Technical Data**

Operating voltage	max. 60 V DC
Operating current per contact	max. 1.76 A
Transfer parameters	CAT5, Class D (ISO/IEC 11801:2002), (EN 50173-1)
Transfer rate	up to 100 Mbit/s full duplex
Coding	M12, D-coded
Protection	IP68 (M12) - IP20 (RJ45)
Material	PUR
Locking material	Brass, chrome plated

**General data**

Temperature range	-25...+85 °C
Mounting plate thickness	2...5 mm

Article No.	7000-44681-0000000
-------------	--------------------

# Mouser Electronics

Authorized Distributor

Click to View Pricing, Inventory, Delivery & Lifecycle Information:

[Murrelektronik:](#)

[7000-44681-0000000](tel:7000-44681-0000000)