

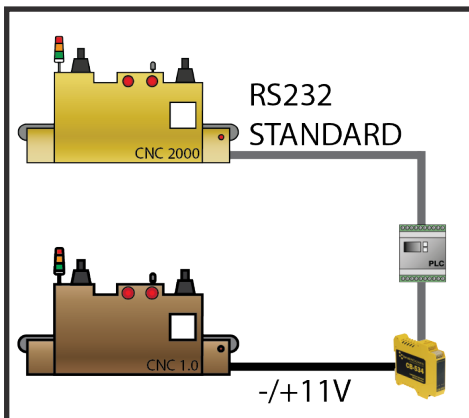
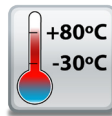
# CB-534 Industrial Isolated RS232 Booster

## RS232 Booster

- Boosts and isolates RS232 signals
- Max baud rate 120,000
- Works at all data word lengths, parity options and stop bit combinations
- -30°C to +80°C / -22°F to +176°F Temperature range

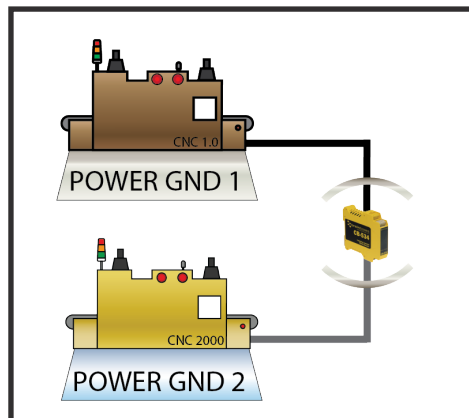


	ISOLATION	OUTPUT SWING -11V to +11V	RS232	RS422/485	PROTOCOL CONVERSION	MAX BAUD
CB-512	✓	✗	✓	✓	✓	1 Mb
CB-523	✗	✗	✓	✓	✓	1 Mb
CB-534	✓	✓	✓	✗	✗	120 kb



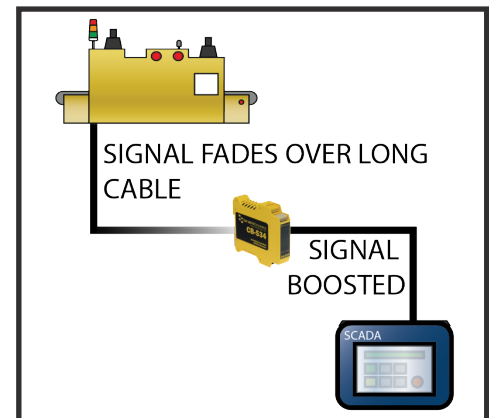
### Connect to legacy equipment

Some machines require a larger voltage input than the RS232 standard. The CB-534 conditions the signal to make it suitable for legacy equipment.



### Protect with Isolation

CB-534 isolates the connected devices from each other. This protects against relative differences in ground voltages.



### Boost RS232 signal

RS232 signal can degrade over long cable runs. The CB-534 boosts the RS232 signal enabling additional distance between connections.



## CB-534

## Industrial Isolated RS232 Booster



Booster for RS232 signal can extend cable length. Works with a wide voltage swing and outputs -11V to +11V signal making it suitable for legacy and non-conforming RS232 equipment. Provides isolation between two RS232 devices. This product doesn't require any software, simply connect using the easy-wire numbered terminal blocks.

### Connectors

Screw Terminals	3.5mm pitch, #22 - #14, 0.5mm <sup>2</sup> -2.5mm <sup>2</sup> pin
Conductor Wire	28 to 16 AWG, 0.14mm to 1.5mm Max

### Environmental

Operating Temperature	-30°C to +80°C / -22°F to +176°F
Storage Temperature	-40°C to +85°C / -40°F to +185°F
Ambient Relative Humidity	5 to 95% (non-condensing)

### Serial Port

Ports	2 RS232
-------	---------

### Port Settings

Baud Rate	120,000 max
Output signal swing	Typ. +/- 11V into RS-232 compliant load
Signals supported	TXD, RXD, RTS, CTS

### Power Supply

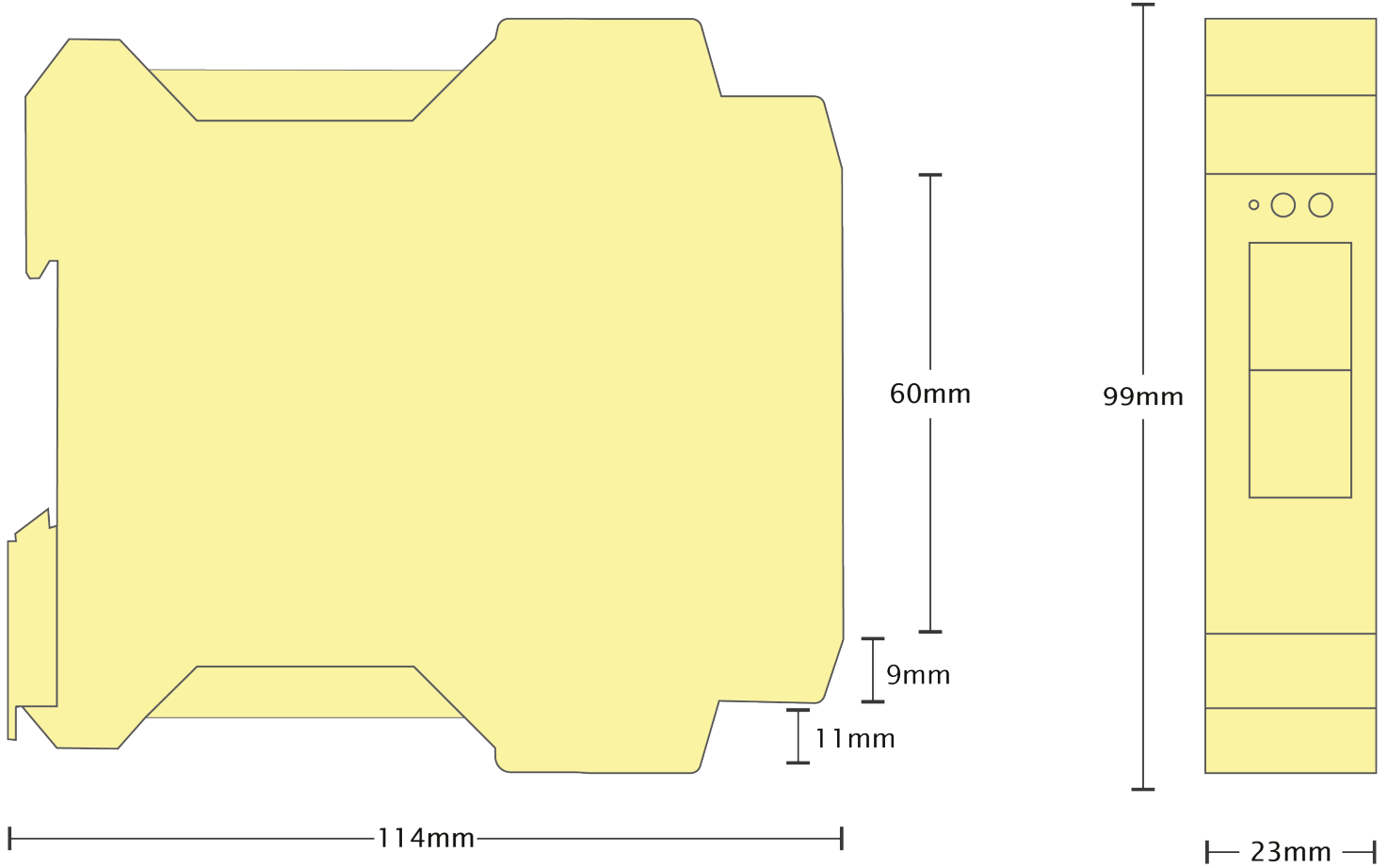
Power Supply input	Redundant DC Dual Power Inputs, reverse polarity protected +5 VDC to +30VDC
Power Consumption	2.5 Watt typical 110mA@24V

# CB-534

## Industrial Isolated RS232 Booster

Housing

IP-20 rated non-conducting polyamide case



Terminal Block Pin Outs: Yellow: Port 1 / Grey: Port 2

	Pin 1	Pin 2	Pin 3	Pin 4	Pin 5
RS232	SIG GND	CTS	RxD	RTS	TxD
Black: +5V to +30V DC Power Input					
Power	-V	+VA	+VB	-V	Func GND

### Lifetime Warranty and Support:

We can help with every aspect of your project, from getting you up and running to custom application.

## CB-534

## Industrial Isolated RS232 Booster

### Packaging Information

Packaging	Installation CD including manual, Quick Start Guide, Device
Packaged Weight	0.206 kg, 7.27 ounces
Packaged Dims	160x135x49 mm, 6.3x5.3x1.9 inches
GTIN Universal Code	837324004045

### Approvals

Industry Approvals	Microsoft Certified Gold Partner, WEEE, RoHS, AEO (C-TPAT), CE
--------------------	--

### Product Support

Warranty	Lifetime - online registration required
Support	Lifetime Web, Email and Phone Support from fully qualified, friendly staff who work in and alongside the Product Development Team

### Additional Information

OEM option	Available for bulk buy OEM
Made In	Manufactured in the UK by Brainboxes Winner 2005 European Electronics Industry Awards 'Manufacturer of the Year'
Customisable	Brainboxes operate a 'Perfect Fit Custom Design' policy for volume users. More info:sales@brainboxes.com



#### PW-600

Power supply with connectors for UK, USA, EU and AUS mains socket. 'Tails' are suitable for connecting to screw terminal blocks.



#### PW-650

Power supply with USB connector and prewired screw terminal block. Suitable for use with 5V USB ports.



#### ES Range

Ethernet to Serial products are available in a range of formats and specifications.

[www.brainboxes.com](http://www.brainboxes.com)