



## QUAD, 12-BIT, LOW-POWER, VOLTAGE OUTPUT, I<sup>2</sup>C INTERFACE DIGITAL-TO-ANALOG CONVERTER

### FEATURES

- **Micropower Operation: 600  $\mu$ A at 5 V  $V_{DD}$**
- **Power-On Reset to Zero**
- **+2.7 V to +5.5 V Analog Power Supply**
- **12-Bit Monotonic**
- **I<sup>2</sup>C™ Interface Up to 3.4 Mbps**
- **Data Transmit Capability**
- **On-Chip Output Buffer Amplifier, Rail-to-Rail Operation**
- **Double-Buffered Input Register**
- **Address Support for up to Four DAC7574s**
- **Synchronous Update Support for up to 16 Channels**
- **Operation From -40°C to 105°C**
- **Small 10 Lead MSOP Package**

### APPLICATIONS

- **Process Control**
- **Data Acquisition Systems**
- **Closed-Loop Servo Control**
- **PC Peripherals**
- **Portable Instrumentation**

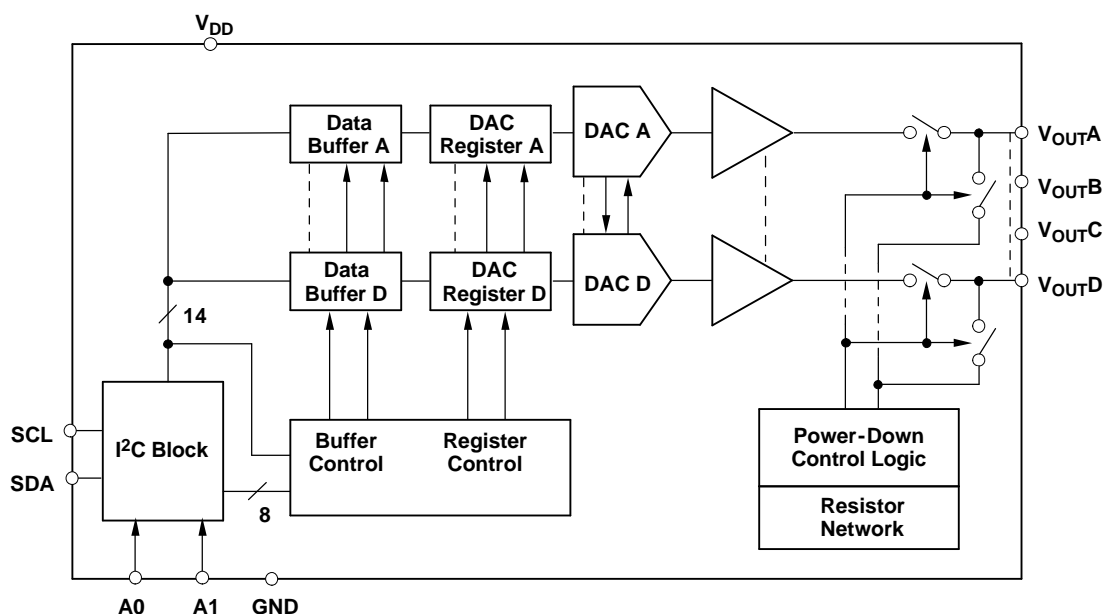
### DESCRIPTION

The DAC7574 is a low-power, quad channel, 12-bit buffered voltage output DAC. Its on-chip precision output amplifier allows rail-to-rail output swing to be achieved. The DAC7574 utilizes an I<sup>2</sup>C compatible two wire serial interface supporting high-speed interface mode with address support of up to four DAC7574s for a total of 16 channels on the bus.

The DAC7574 uses  $V_{DD}$  and GND to set the output range of the DAC. The DAC7574 incorporates a power-on-reset circuit that ensures that the DAC output powers up at zero volts and remains there until a valid write takes place to the device. The DAC7574 contains a power-down feature, accessed via the internal control register, that reduces the current consumption of the device to 200 nA at 5 V.

The low power consumption of this part in normal operation makes it ideally suited to portable battery operated equipment. The power consumption is less than 3mW at  $V_{DD} = 5$  V reducing to 1  $\mu$ W in power-down mode.

The DAC7574 is available in a 10-lead MSOP package.



I<sup>2</sup>C is a trademark of Philips Corporation.



Please be aware that an important notice concerning availability, standard warranty, and use in critical applications of Texas Instruments semiconductor products and disclaimers thereto appears at the end of this data sheet.

# DAC7574

SLAS375–JUNE 2003

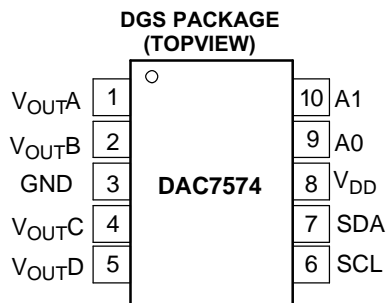


This integrated circuit can be damaged by ESD. Texas Instruments recommends that all integrated circuits be handled with appropriate precautions. Failure to observe proper handling and installation procedures can cause damage.

ESD damage can range from subtle performance degradation to complete device failure. Precision integrated circuits may be more susceptible to damage because very small parametric changes could cause the device not to meet its published specifications.

## PACKAGE/ORDERING INFORMATION

| PRODUCT | PACKAGE | PACKAGE DRAWING NUMBER | SPECIFICATION TEMPERATURE RANGE | PACKAGE MARKING | ORDERING NUMBER | TRANSPORT MEDIA          |
|---------|---------|------------------------|---------------------------------|-----------------|-----------------|--------------------------|
| DAC7574 | 10-MSOP | DGS                    | -40°C TO +105°C                 | D774            | DAC7574IDGS     | 80 Piece Tube            |
|         |         |                        |                                 |                 | DAC7574IDGSR    | 2500 Piece Tape and Reel |



## PIN DESCRIPTIONS

| PIN | NAME               | DESCRIPTION  |
|-----|--------------------|--|
| 1   | V <sub>OUT</sub> A | Analog output voltage from DAC A                     |
| 2   | V <sub>OUT</sub> B | Analog output voltage from DAC B                     |
| 3   | GND                | Ground reference point for all circuitry on the part |
| 4   | V <sub>OUT</sub> C | Analog output voltage from DAC C                     |
| 5   | V <sub>OUT</sub> D | Analog output voltage from DAC D                     |
| 6   | SCL                | Serial clock input                                   |
| 7   | SDA                | Serial data input and output                         |
| 8   | V <sub>DD</sub>    | Analog voltage supply input                          |
| 9   | A0                 | Device address select - I <sup>2</sup> C             |
| 10  | A1                 | Device address select - I <sup>2</sup> C             |

## ABSOLUTE MAXIMUM RATINGS (1)

|   |                                   |
|---|-----------------------------------|
| V <sub>DD</sub> to GND                          | -0.3 V to +6 V                    |
| Digital input voltage to GND                    | -0.3 V to V <sub>DD</sub> + 0.3 V |
| V <sub>OUT</sub> to GND                         | -0.3 V to V <sub>DD</sub> + 0.3 V |
| Operating temperature range                     | - 40°C to +105°C                  |
| Storage temperature range                       | - 65°C to +150°C                  |
| Junction temperature range (T <sub>J</sub> max) | +150°C                            |
| Power dissipation:                              |                                   |
| Thermal impedance (θ <sub>JA</sub> )            | 270°C/W                           |
| Thermal impedance (θ <sub>JC</sub> )            | 77°C/W                            |
| Lead temperature, soldering:                    |                                   |
| Vapor phase (60s)                               | 215°C                             |
| Infrared (15s)                                  | 220°C                             |

- (1) Stresses above those listed under Absolute Maximum Ratings may cause permanent damage to the device. Exposure to absolute maximum conditions for extended periods may affect device reliability.

**ELECTRICAL CHARACTERISTICS**
 $V_{DD} = 2.7\text{ V to }5.5\text{ V}$ ,  $R_L = 2\text{ k}\Omega\text{ to GND}$ ;  $C_L = 200\text{ pF to GND}$ ; all specifications  $-40^\circ\text{C to }+105^\circ\text{C}$ , unless otherwise specified.

| PARAMETER  | TEST CONDITIONS                                       | MIN                 | TYP     | MAX                 | UNITS                        |
|--|---|---------------------|---------|---------------------|------------------------------|
| <b>STATIC PERFORMANCE (1)</b>                            |   |                     |         |                     |                              |
| Resolution   |   | 12                  |         |                     | Bits                         |
| Relative accuracy  |   |                     |         | $\pm 8$             | LSB                          |
| Differential nonlinearity                                | Specified monotonic by design                         |                     |         | $\pm 1$             | LSB                          |
| Zero-scale error   |   |                     | 5       | 20                  | mV                           |
| Full-scale error   |   |                     | -0.15   | $\pm 1.0$           | % of FSR                     |
| Gain error   |   |                     |         | $\pm 1.0$           | % of FSR                     |
| Zero code error drift                                    |   |                     | $\pm 7$ |                     | $\mu\text{V}/^\circ\text{C}$ |
| Gain temperature coefficient                             |   |                     | $\pm 3$ |                     | ppm of FSR/ $^\circ\text{C}$ |
| <b>OUTPUT CHARACTERISTICS (2)</b>                        |   |                     |         |                     |                              |
| Output voltage range                                     |   | 0                   |         | $V_{DD}$            | V                            |
| Output voltage settling time (full scale)                | $R_L = \infty$ ; $0\text{ pF} < C_L < 200\text{ pF}$  |                     | 8       | 10                  | $\mu\text{s}$                |
|  | $R_L = \infty$ ; $C_L = 500\text{ pF}$                |                     | 12      |                     | $\mu\text{s}$                |
| Slew rate  |   |                     | 1       |                     | V/ $\mu\text{s}$             |
| DC crosstalk (channel-to-channel)                        |   |                     | 0.25    |                     | LSB                          |
| AC crosstalk (channel-to-channel)                        | 1 kHz Sine Wave                                       |                     | -100    |                     | dB                           |
| Capacitive load stability                                | $R_L = \infty$  |                     | 470     |                     | pF                           |
|  | $R_L = 2\text{ k}\Omega$                              |                     | 1000    |                     | pF                           |
| Digital-to-analog glitch impulse                         | 1 LSB change around major carry                       |                     | 12      |                     | nV-s                         |
| Digital feedthrough                                      |   |                     | 0.3     |                     | nV-s                         |
| DC output impedance                                      |   |                     | 1       |                     | $\Omega$                     |
| Short-circuit current                                    | $V_{DD} = 5\text{ V}$                                 |                     | 50      |                     | mA                           |
|  | $V_{DD} = 3\text{ V}$                                 |                     | 20      |                     | mA                           |
| Power-up time  | Coming out of power-down mode, $V_{DD} = +5\text{ V}$ |                     | 2.5     |                     | $\mu\text{s}$                |
|  | Coming out of power-down mode, $V_{DD} = +3\text{ V}$ |                     | 5       |                     | $\mu\text{s}$                |
| <b>LOGIC INPUTS (2)</b>                                  |   |                     |         |                     |                              |
| Input current  |   |                     |         | $\pm 1$             | $\mu\text{A}$                |
| $V_{IN\_L}$ , Input low voltage                          |   |                     |         | $0.3 \times V_{DD}$ | V                            |
| $V_{IN\_H}$ , Input high voltage                         | $V_{DD} = 3\text{ V}$                                 | $0.7 \times V_{DD}$ |         |                     | V                            |
| Pin Capacitance  |   |                     |         | 3                   | pF                           |
| <b>POWER REQUIREMENTS</b>                                |   |                     |         |                     |                              |
| $V_{DD}$   |   | 2.7                 |         | 5.5                 | V                            |
| $I_{DD}$ (normal operation), including reference current | Excluding load current                                |                     |         |                     |                              |
| $I_{DD}@ V_{DD} = +3.6\text{V to }+5.5\text{V}$          | $V_{IH} = V_{DD}$ and $V_{IL} = \text{GND}$           |                     | 600     | 900                 | $\mu\text{A}$                |
| $I_{DD}@ V_{DD} = +2.7\text{V to }+3.6\text{V}$          | $V_{IH} = V_{DD}$ and $V_{IL} = \text{GND}$           |                     | 550     | 750                 | $\mu\text{A}$                |
| $I_{DD}$ (all power-down modes)                          |   |                     |         |                     |                              |
| $I_{DD}@ V_{DD} = +3.6\text{V to }+5.5\text{V}$          | $V_{IH} = V_{DD}$ and $V_{IL} = \text{GND}$           |                     | 0.2     | 1                   | $\mu\text{A}$                |
| $I_{DD}@ V_{DD} = +2.7\text{V to }+3.6\text{V}$          | $V_{IH} = V_{DD}$ and $V_{IL} = \text{GND}$           |                     | 0.05    | 1                   | $\mu\text{A}$                |
| <b>POWER EFFICIENCY</b>                                  |   |                     |         |                     |                              |
| $I_{OUT}/I_{DD}$   | $I_{LOAD} = 2\text{ mA}$ , $V_{DD} = +5\text{ V}$     |                     | 93%     |                     |                              |

(1) Linearity tested using a reduced code range of 48 to 4047; output unloaded.

(2) Specified by design and characterization, not production tested.

**ELECTRICAL CHARACTERISTICS (continued)**

V<sub>DD</sub> = 2.7 V to 5.5 V, R<sub>L</sub> = 2 kΩ to GND; C<sub>L</sub> = 200 pF to GND; all specifications -40°C to +105°C, unless otherwise specified.

| PARAMETER                | TEST CONDITIONS | MIN | TYP | MAX  | UNITS |
|--------------------------|-----------------|-----|-----|------|-------|
| <b>TEMPERATURE RANGE</b> |                 |     |     |      |       |
| Specified performance    |                 | -40 |     | +105 | °C    |

**TIMING CHARACTERISTICS**

V<sub>DD</sub> = 2.7 V to 5.5 V, R<sub>L</sub> = 2 kΩ to GND; all specifications -40°C to +105°C, unless otherwise specified.

| SYMBOL                             | PARAMETER   | TEST CONDITIONS                              | MIN                    | TYP | MAX  | UNITS |
|------------------------------------|---|--|------------------------|-----|------|-------|
| f <sub>SCL</sub>                   | SCL clock frequency   | Standard mode                                |                        |     | 100  | kHz   |
|                                    |   | Fast mode                                    |                        |     | 400  | kHz   |
|                                    |   | High-Speed Mode, C <sub>B</sub> = 100 pF max |                        |     | 3.4  | MHz   |
|                                    |   | High-speed mode, C <sub>B</sub> = 400 pF max |                        |     | 1.7  | MHz   |
| t <sub>BUF</sub>                   | Bus free time between a STOP and START condition                                      | Standard mode                                | 4.7                    |     |      | μs    |
|                                    |   | Fast mode                                    | 1.3                    |     |      | μs    |
| t <sub>HD</sub> ; t <sub>STA</sub> | Hold time (repeated) START condition  | Standard mode                                | 4.0                    |     |      | μs    |
|                                    |   | Fast mode                                    | 600                    |     |      | ns    |
|                                    |   | High-speed mode                              | 160                    |     |      | ns    |
| t <sub>LOW</sub>                   | LOW period of the SCL clock   | Standard mode                                | 4.7                    |     |      | μs    |
|                                    |   | Fast mode                                    | 1.3                    |     |      | μs    |
|                                    |   | High-speed mode, C <sub>B</sub> = 100 pF max | 160                    |     |      | ns    |
|                                    |   | High-speed mode, C <sub>B</sub> = 400 pF max | 320                    |     |      | ns    |
| t <sub>HIGH</sub>                  | HIGH period of the SCL clock  | Standard mode                                | 4.0                    |     |      | μs    |
|                                    |   | Fast mode                                    | 600                    |     |      | ns    |
|                                    |   | High-Speed Mode, C <sub>B</sub> = 100 pF max | 60                     |     |      | ns    |
|                                    |   | High-speed mode, C <sub>B</sub> = 400 pF max | 120                    |     |      | ns    |
| t <sub>SU</sub> ; t <sub>STA</sub> | Setup time for a repeated START condition   | Standard mode                                | 4.7                    |     |      | μs    |
|                                    |   | Fast mode                                    | 600                    |     |      | ns    |
|                                    |   | High-speed mode                              | 160                    |     |      | ns    |
| t <sub>SU</sub> ; t <sub>DAT</sub> | Data setup time   | Standard mode                                | 250                    |     |      | ns    |
|                                    |   | Fast mode                                    | 100                    |     |      | ns    |
|                                    |   | High-speed mode                              | 10                     |     |      | ns    |
| t <sub>HD</sub> ; t <sub>DAT</sub> | Data hold time  | Standard mode                                | 0                      |     | 3.45 | μs    |
|                                    |   | Fast mode                                    | 0                      |     | 0.9  | μs    |
|                                    |   | High-speed mode, C <sub>B</sub> = 100 pF max | 0                      |     | 70   | ns    |
|                                    |   | High-speed mode, C <sub>B</sub> = 400 pF max | 0                      |     | 150  | ns    |
| t <sub>RCL</sub>                   | Rise time of SCL signal   | Standard mode                                | 20 × 0.1C <sub>B</sub> |     | 1000 | ns    |
|                                    |   | Fast mode                                    | 20 × 0.1C <sub>B</sub> |     | 300  | ns    |
|                                    |   | High-speed mode, C <sub>B</sub> = 100 pF max | 10                     |     | 40   | ns    |
|                                    |   | High-speed mode, C <sub>B</sub> = 400 pF max | 20                     |     | 80   | ns    |
| t <sub>RCL1</sub>                  | Rise time of SCL signal after a repeated START condition and after an acknowledge BIT | Standard mode                                | 20 × 0.1C <sub>B</sub> |     | 1000 | ns    |
|                                    |   | Fast mode                                    | 20 × 0.1C <sub>B</sub> |     | 300  | ns    |
|                                    |   | High-speed mode, C <sub>B</sub> = 100 pF max | 10                     |     | 80   | ns    |
|                                    |   | High-speed mode, C <sub>B</sub> = 400 pF max | 20                     |     | 160  | ns    |
| t <sub>FCL</sub>                   | Fall time of SCL signal   | Standard mode                                | 20 × 0.1C <sub>B</sub> |     | 300  | ns    |
|                                    |   | Fast mode                                    | 20 × 0.1C <sub>B</sub> |     | 300  | ns    |
|                                    |   | High-speed mode, C <sub>B</sub> = 100 pF max | 10                     |     | 40   | ns    |
|                                    |   | High-speed mode, C <sub>B</sub> = 400 pF max | 20                     |     | 80   | ns    |

**TIMING CHARACTERISTICS (continued)**
 $V_{DD} = 2.7\text{ V to }5.5\text{ V}$ ,  $R_L = 2\text{ k}\Omega$  to GND; all specifications  $-40^\circ\text{C to }+105^\circ\text{C}$ , unless otherwise specified.

| SYMBOL            | PARAMETER   | TEST CONDITIONS                            | MIN                | TYP | MAX  | UNITS         |
|-------------------|---|--|--------------------|-----|------|---------------|
| $t_{RDA}$         | Rise time of SDA signal   | Standard mode                              | $20 \times 0.1C_B$ |     | 1000 | ns            |
|                   |   | Fast mode                                  | $20 \times 0.1C_B$ |     | 300  | ns            |
|                   |   | High-speed mode, $C_B = 100\text{ pF max}$ | 10                 |     | 80   | ns            |
|                   |   | High-speed mode, $C_B = 400\text{ pF max}$ | 20                 |     | 160  | ns            |
| $t_{FDA}$         | Fall time of SDA signal   | Standard mode                              | $20 \times 0.1C_B$ |     | 300  | ns            |
|                   |   | Fast mode                                  | $20 \times 0.1C_B$ |     | 300  | ns            |
|                   |   | High-speed mode, $C_B = 100\text{ pF max}$ | 10                 |     | 80   | ns            |
|                   |   | High-speed mode, $C_B = 400\text{ pF max}$ | 20                 |     | 160  | ns            |
| $t_{SU}; t_{STO}$ | Setup time for STOP condition   | Standard mode                              | 4.0                |     |      | $\mu\text{s}$ |
|                   |   | Fast mode                                  | 600                |     |      | ns            |
|                   |   | High-speed mode                            | 160                |     |      | ns            |
| $C_B$             | Capacitive load for SDA and SCL   |  |                    |     | 400  | pF            |
| $t_{SP}$          | Pulse width of spike suppressed   | Fast mode                                  |                    |     | 50   | ns            |
|                   |   | High-speed mode                            |                    |     | 10   | ns            |
| $V_{NH}$          | Noise margin at the HIGH level for each connected device (including hysteresis) | Standard mode                              | 0.2 $V_{DD}$       |     |      | V             |
|                   |   | Fast mode                                  |                    |     |      |               |
|                   |   | High-speed mode                            |                    |     |      |               |
| $V_{NL}$          | Noise margin at the LOW level for each connected device (including hysteresis)  | Standard mode                              | 0.1 $V_{DD}$       |     |      | V             |
|                   |   | Fast mode                                  |                    |     |      |               |
|                   |   | High-speed mode                            |                    |     |      |               |

**TYPICAL CHARACTERISTICS**

At  $T_A = +25^\circ\text{C}$ , unless otherwise noted.

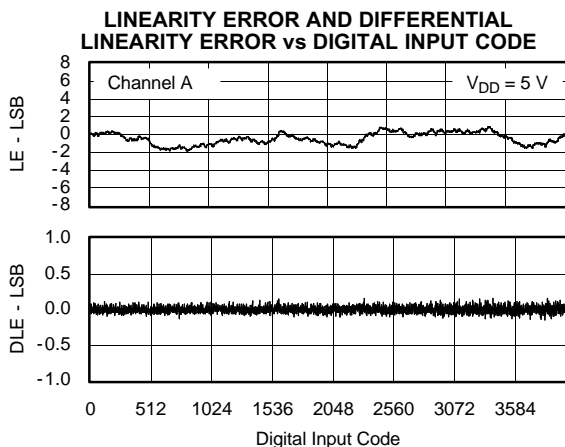


Figure 1.

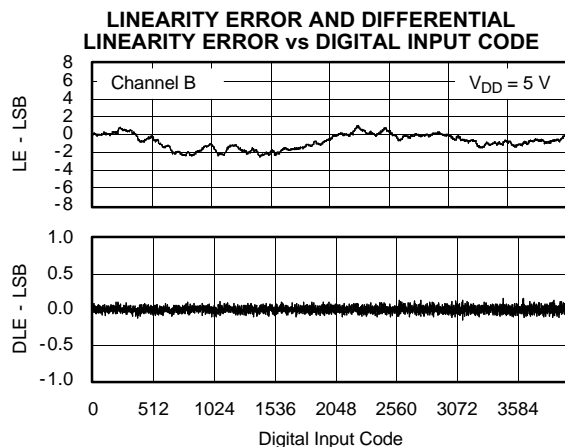


Figure 2.

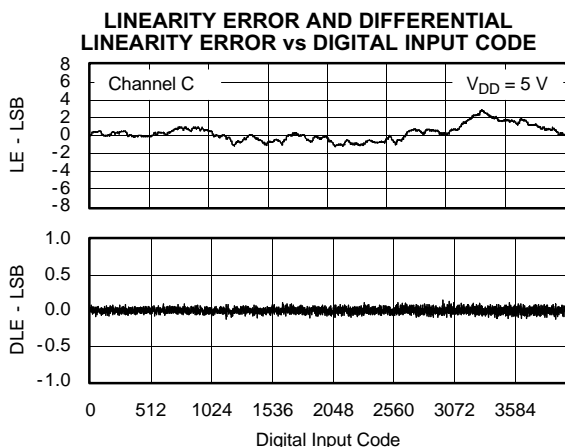


Figure 3.

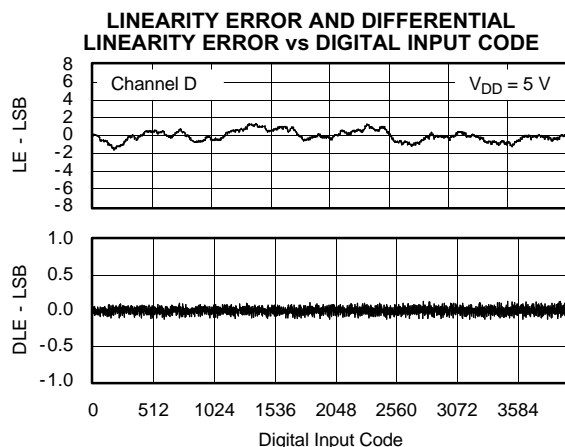


Figure 4.

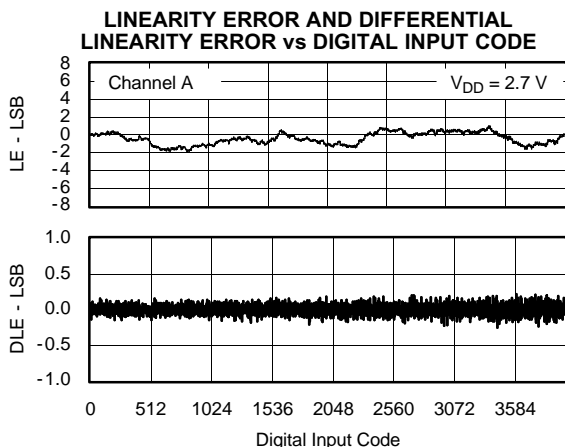


Figure 5.

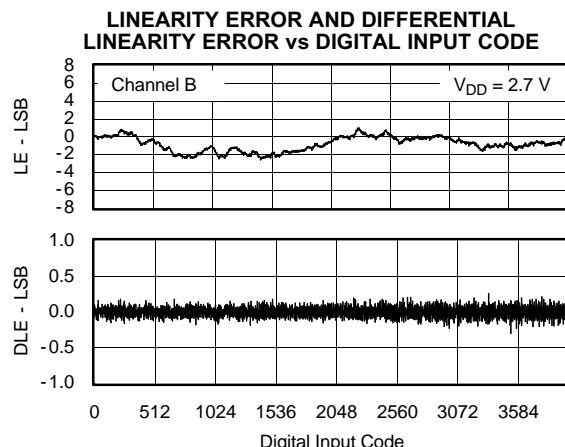
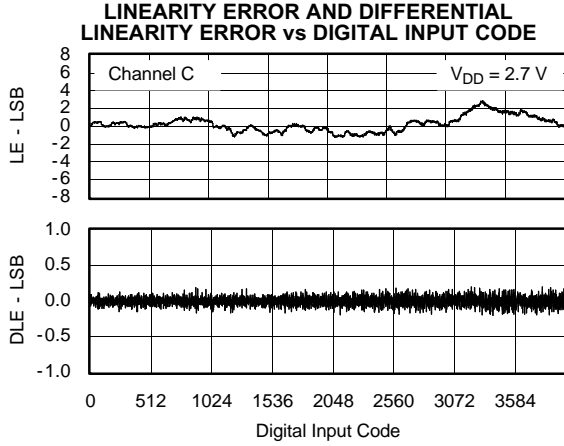


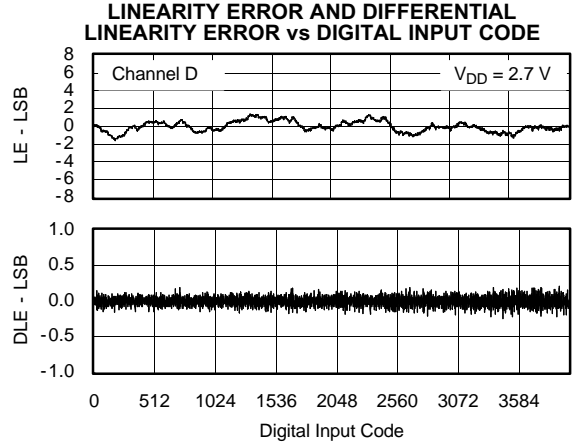
Figure 6.

**TYPICAL CHARACTERISTICS (continued)**

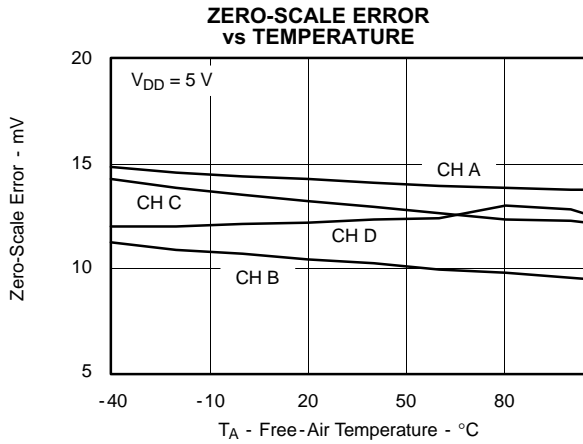
At  $T_A = +25^\circ\text{C}$ , unless otherwise noted.



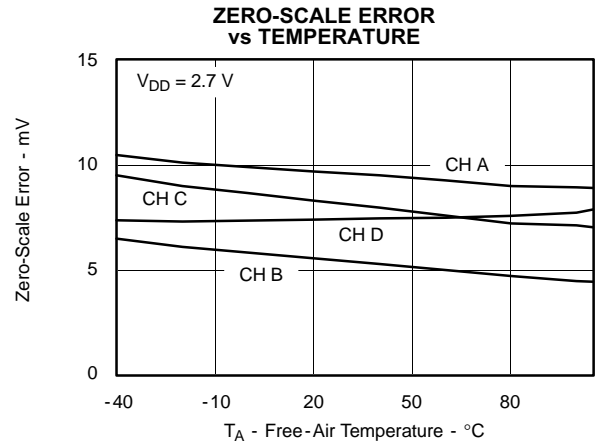
**Figure 7.**



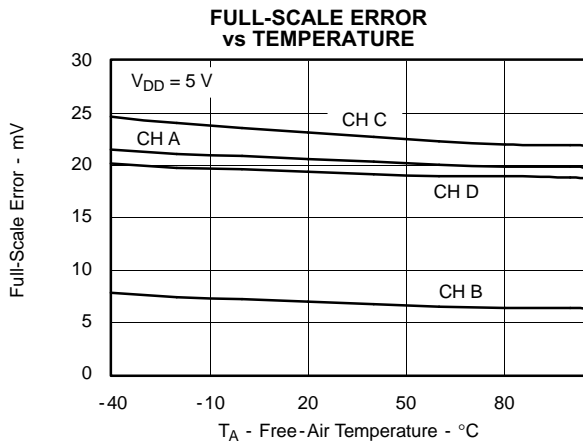
**Figure 8.**



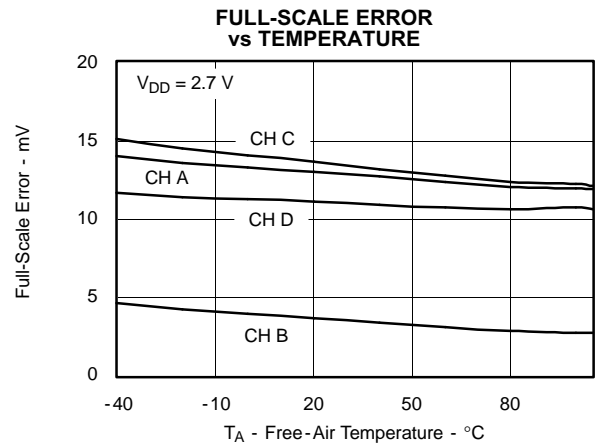
**Figure 9.**



**Figure 10.**



**Figure 11.**



**Figure 12.**

**TYPICAL CHARACTERISTICS (continued)**

At  $T_A = +25^\circ\text{C}$ , unless otherwise noted.

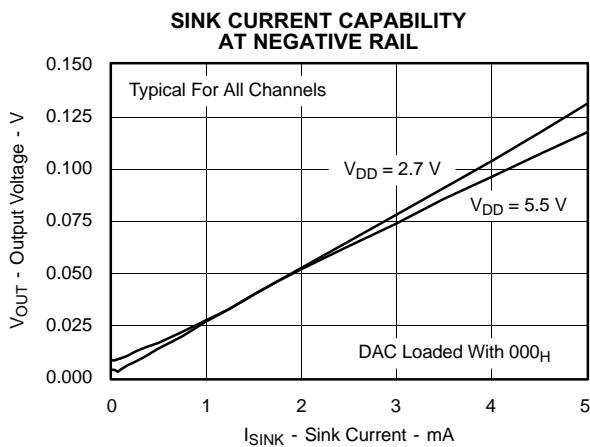


Figure 13.

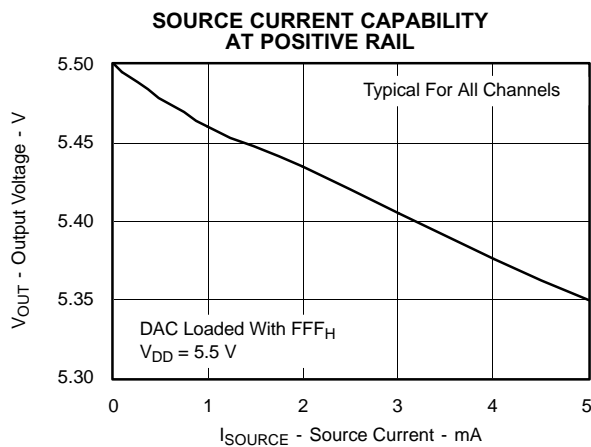


Figure 14.

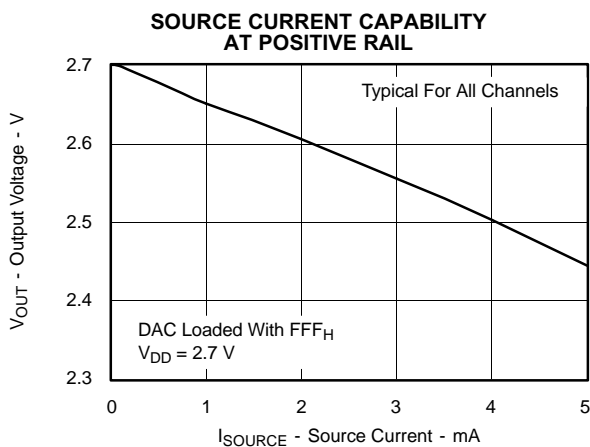


Figure 15.

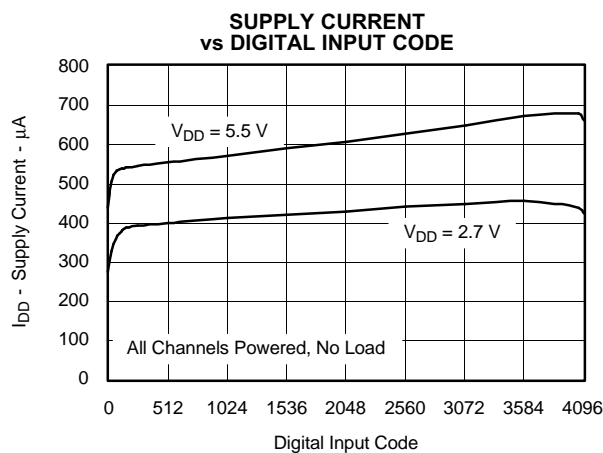


Figure 16.

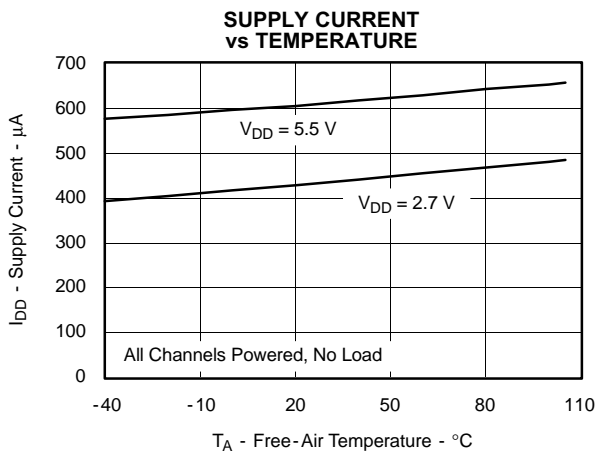


Figure 17.

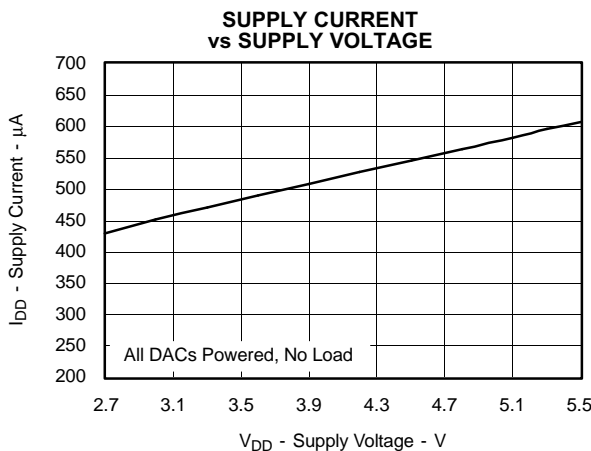
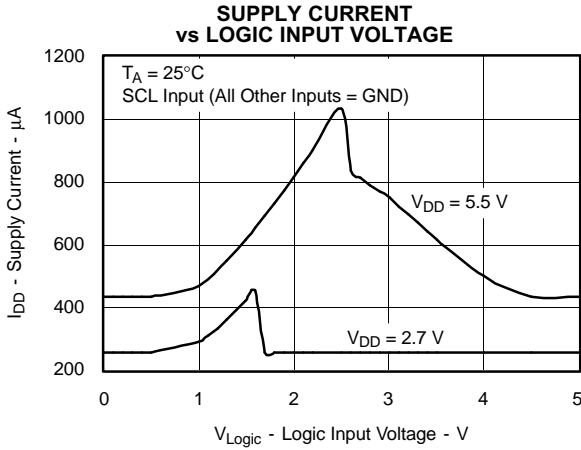


Figure 18.

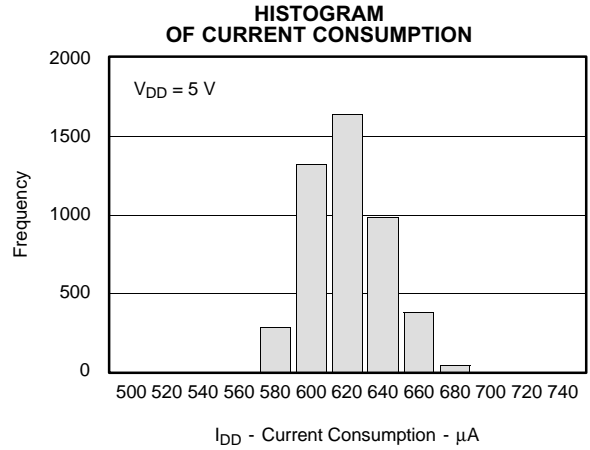


**TYPICAL CHARACTERISTICS (continued)**

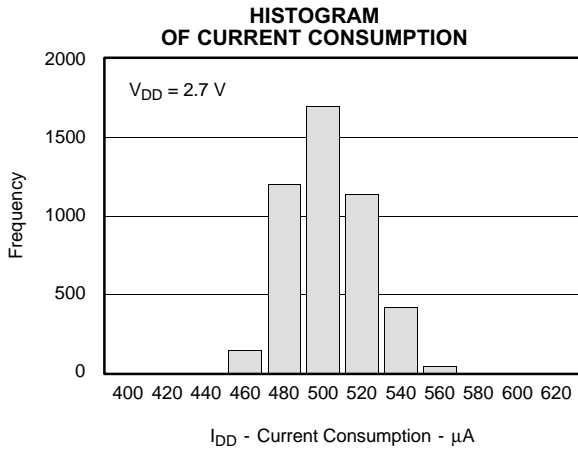
At  $T_A = +25^\circ\text{C}$ , unless otherwise noted.



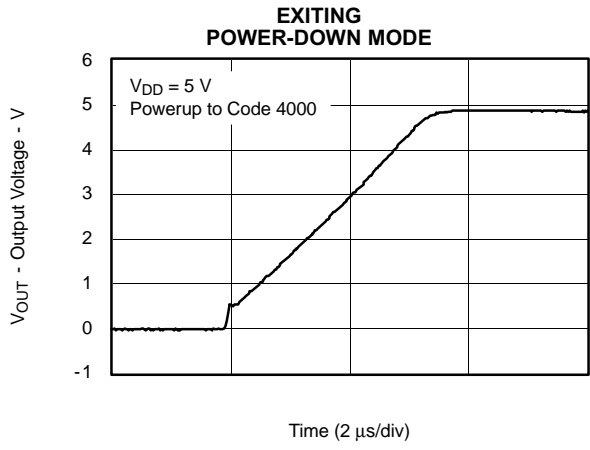
**Figure 19.**



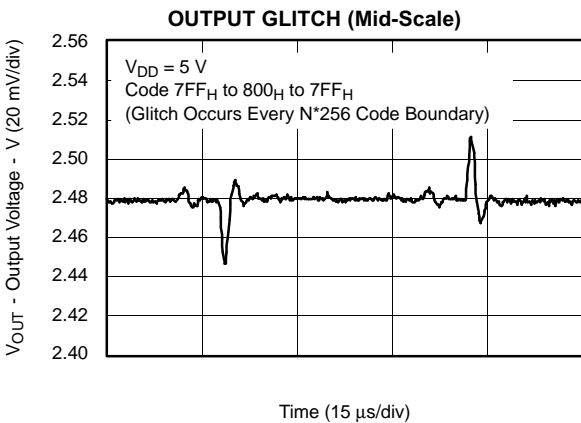
**Figure 20.**



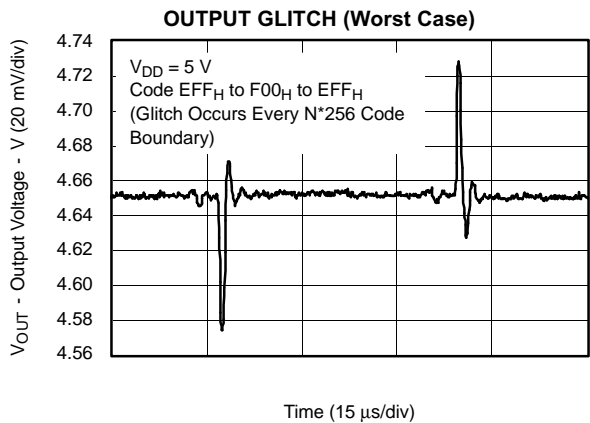
**Figure 21.**



**Figure 22.**



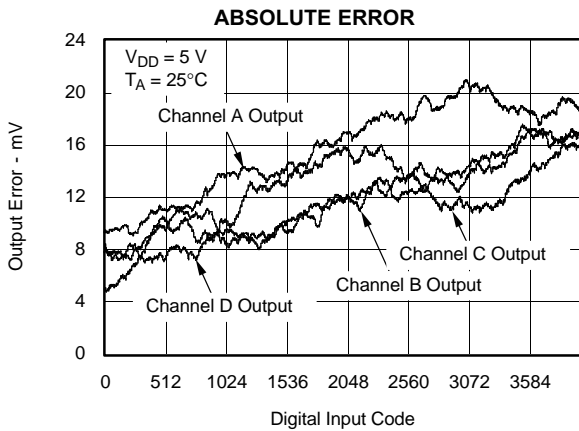
**Figure 23.**



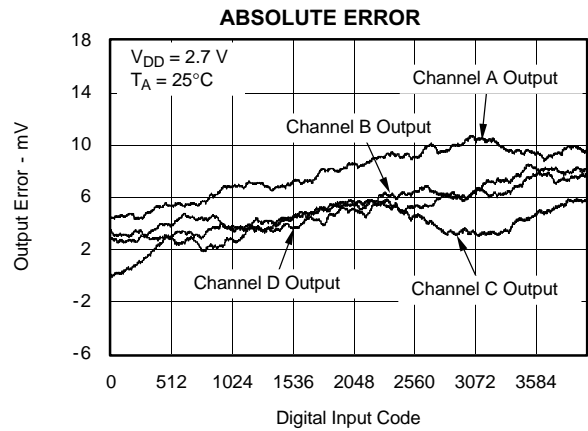
**Figure 24.**

**TYPICAL CHARACTERISTICS (continued)**

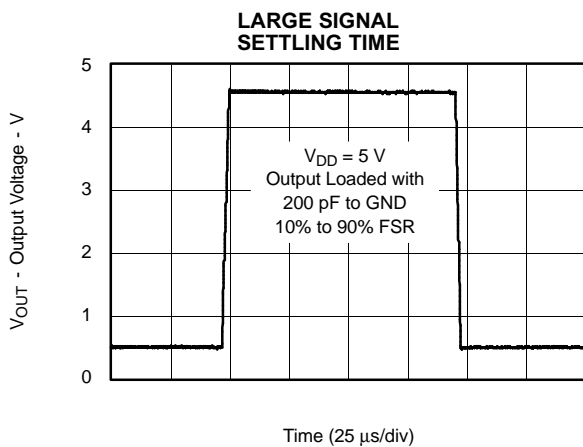
At  $T_A = +25^\circ\text{C}$ , unless otherwise noted.



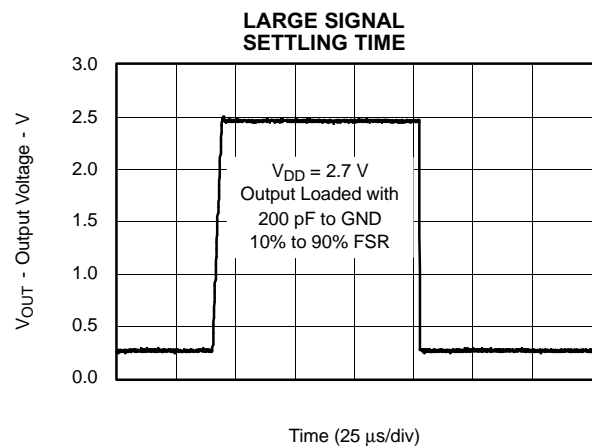
**Figure 25.**



**Figure 26.**



**Figure 27.**

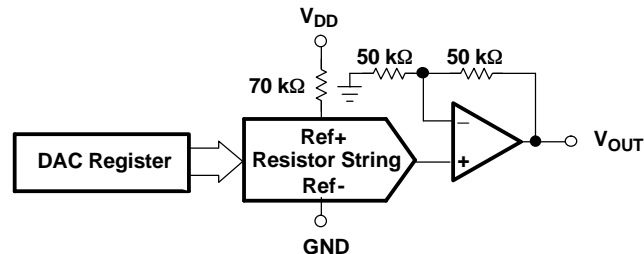


**Figure 28.**

## THEORY OF OPERATION

### D/A SECTION

The architecture of the DAC7574 consists of a string DAC followed by an output buffer amplifier. Figure 29 shows a generalized block diagram of the DAC architecture.



**Figure 29. R-String DAC Architecture**

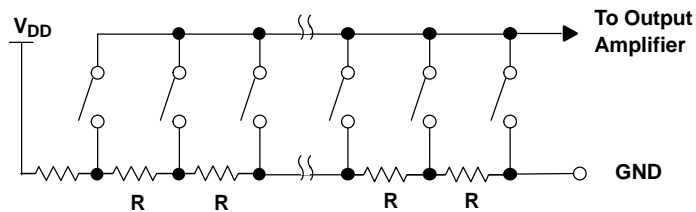
The input coding to the DAC7574 is unsigned binary, which gives the ideal output voltage as:

$$V_{OUT} = V_{DD} \times \frac{D}{4096} \quad (1)$$

Where D = decimal equivalent of the binary code that is loaded to the DAC register; it can range from 0 to 4095.

### RESISTOR STRING

The resistor string section is shown in Figure 30. It is basically a divide-by-2 resistor, followed by a string of resistors, each of value R. The code loaded into the DAC register determines at which node on the string the voltage is tapped off to be fed into the output amplifier by closing one of the switches connecting the string to the amplifier. Because the architecture consists of a string of resistors, it is specified monotonic.



**Figure 30. Typical Resistor String**

### Output Amplifier

The output buffer is a gain-of-2 noninverting amplifiers, capable of generating rail-to-rail voltages on its output, which gives an output range of 0V to  $V_{DD}$ . It is capable of driving a load of 2 k $\Omega$  in parallel with 1000 pF to GND. The source and sink capabilities of the output amplifier can be seen in the typical curves. The slew rate is 1 V/ $\mu$ s with a half-scale settling time of 8  $\mu$ s with the output unloaded.

### I<sup>2</sup>C Interface

I<sup>2</sup>C is a 2-wire serial interface developed by Philips Semiconductor (see I<sup>2</sup>C-Bus Specification, Version 2.1, January 2000). The bus consists of a data line (SDA) and a clock line (SCL) with pullup structures. When the bus is *idle*, both SDA and SCL lines are pulled high. All the I<sup>2</sup>C compatible devices connect to the I<sup>2</sup>C bus through open drain I/O pins, SDA and SCL. A *master* device, usually a microcontroller or a digital signal processor, controls the bus. The master is responsible for generating the SCL signal and device addresses. The master also generates specific conditions that indicate the START and STOP of data transfer. A *slave* device receives and/or transmits data on the bus under control of the master device.

## THEORY OF OPERATION (continued)

The DAC7574 works as a slave and supports the following data transfer *modes*, as defined in the I<sup>2</sup>C-Bus Specification: standard mode (100 kbps), fast mode (400 kbps), and high-speed mode (3.4 Mbps). The data transfer protocol for standard and fast modes is exactly the same, therefore they are referred to as F/S-mode in this document. The protocol for high-speed mode is different from the F/S-mode, and it is referred to as H/S-mode. The DAC7574 supports 7-bit addressing; 10-bit addressing and general call address are *not* supported.

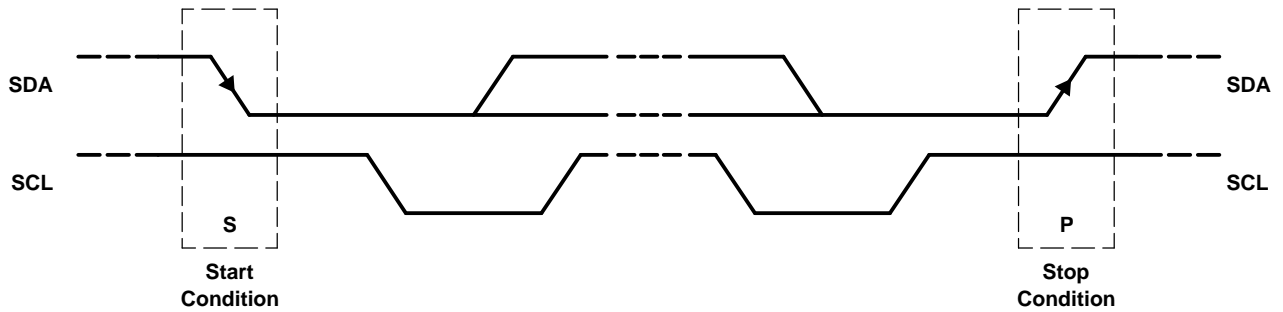
### F/S-Mode Protocol

- The *master* initiates data transfer by generating a *start condition*. The *start condition* is when a high-to-low transition occurs on the SDA line while SCL is high, as shown in Figure 31. All I<sup>2</sup>C-compatible devices should recognize a *start condition*.
- The master then generates the SCL pulses, and transmits the 7-bit address and the *read/write direction bit*  $R/\overline{W}$  on the SDA line. During all transmissions, the master ensures that data is *valid*. A *valid data* condition requires the SDA line to be stable during the entire high period of the clock pulse (see Figure 32). All devices recognize the address sent by the master and compare it to their internal fixed addresses. Only the slave device with a matching address generates an *acknowledge* (see Figure 33) by pulling the SDA line low during the entire high period of the 9<sup>th</sup> SCL cycle. Upon detecting this acknowledge, the master knows that communication link with a slave has been established.
- The master generates further SCL cycles to either *transmit* data to the slave ( $R/\overline{W}$  bit 1) or *receive* data from the slave ( $R/\overline{W}$  bit 0). In either case, the *receiver* needs to acknowledge the data sent by the *transmitter*. So acknowledge signal can either be generated by the master or by the slave, depending on which one is the receiver. 9-bit valid data sequences consisting of 8-bit data and 1-bit acknowledge can continue as long as necessary.
- To signal the end of the data transfer, the master generates a *stop condition* by pulling the SDA line from low to high while the SCL line is high (see Figure 31). This releases the bus and stops the communication link with the addressed slave. All I<sup>2</sup>C compatible devices must recognize the stop condition. Upon the receipt of a *stop condition*, all devices know that the bus is released, and they wait for a *start condition* followed by a matching address.

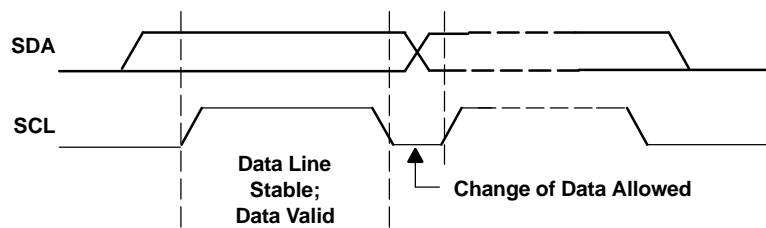
### H/S-Mode Protocol

- When the bus is idle, both SDA and SCL lines are pulled high by the pullup devices.
- The master generates a start condition followed by a valid serial byte containing H/S master code 00001XXX. This transmission is made in F/S-mode at no more than 400 Kbps. No device is allowed to acknowledge the H/S master code, but all devices must recognize it and switch their internal setting to support 3.4 Mbps operation.
- The master then generates a *repeated start condition* (a repeated start condition has the same timing as the start condition). After this repeated start condition, the protocol is the same as F/S-mode, except that transmission speeds up to 3.4 Mbps are allowed. A stop condition ends the H/S-mode and switches all the internal settings of the slave devices to support the F/S-mode. Instead of using a stop condition, repeated start conditions should be used to secure the bus in H/S-mode.

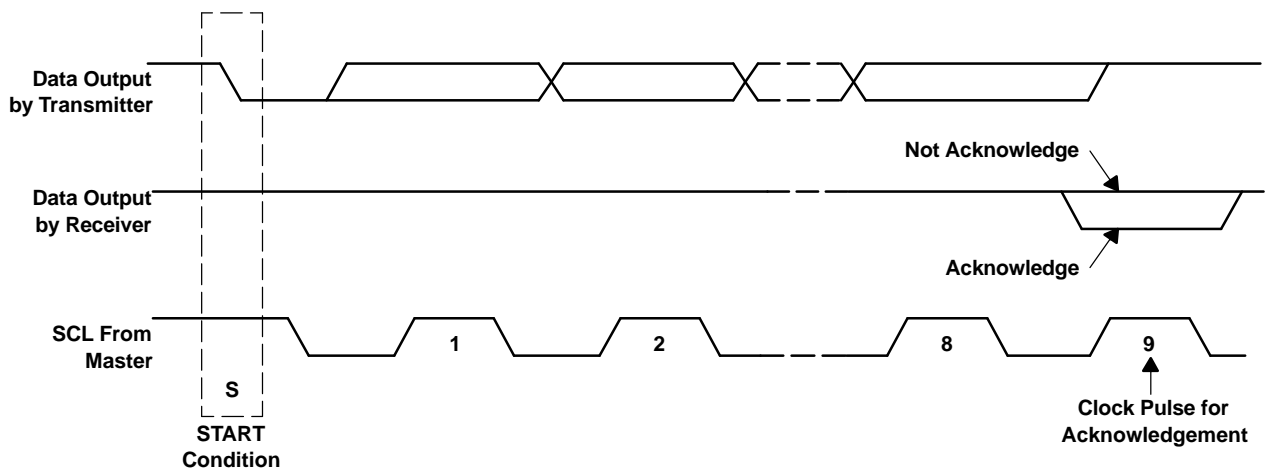
**THEORY OF OPERATION (continued)**



**Figure 31. START and STOP Conditions**



**Figure 32. Bit Transfer on the I<sup>2</sup>C Bus**



**Figure 33. Acknowledge on the I<sup>2</sup>C Bus**

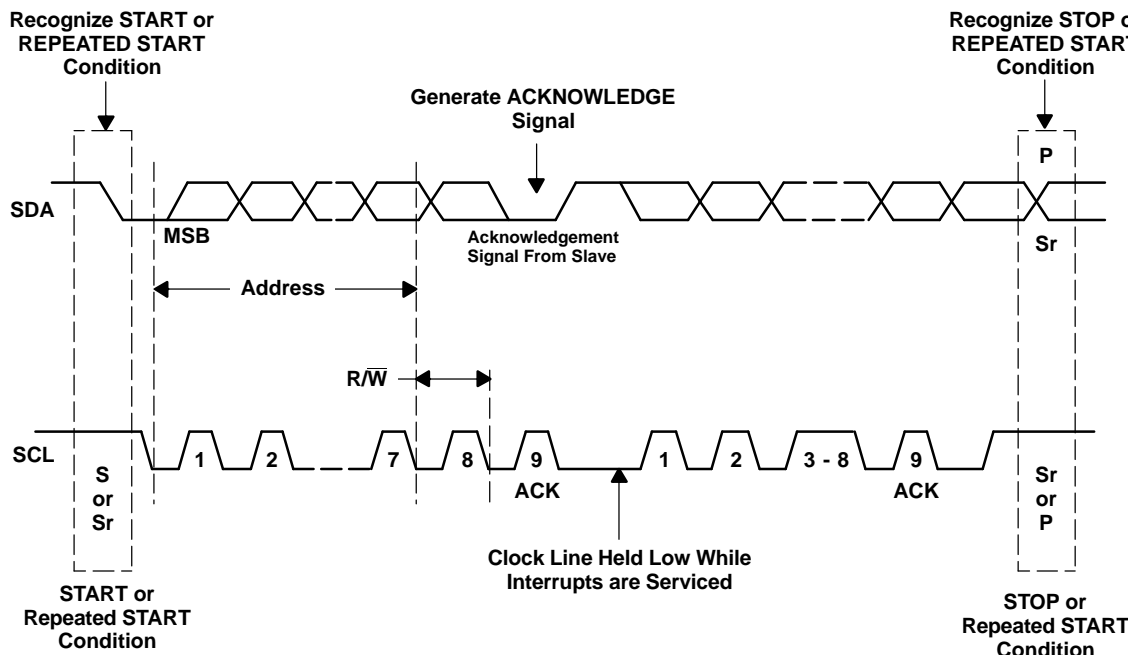


Figure 34. Bus Protocol

### DAC7574 I<sup>2</sup>C Update Sequence

The DAC7574 requires a start condition, a valid I<sup>2</sup>C address, a control byte, an MSB byte, and an LSB byte for a single update. After the receipt of each byte, DAC7574 acknowledges by pulling the SDA line low during the high period of a single clock pulse. A valid I<sup>2</sup>C address selects the DAC7574. The control byte sets the operational mode of the selected DAC7574. Once the operational mode is selected by the control byte, DAC7574 expects an MSB byte followed by an LSB byte for data update to occur. DAC7574 performs an update on the falling edge of the acknowledge signal that follows the LSB byte.

Control byte needs not to be resent until a change in operational mode is required. The bits of the control byte continuously determine the type of update performed. Thus, for the first update, DAC7574 requires a start condition, a valid I<sup>2</sup>C address, a control byte, an MSB byte and an LSB byte. For all consecutive updates, DAC7574 needs an MSB byte and an LSB byte as long as the control command remains the same.

Using the I<sup>2</sup>C high-speed mode ( $f_{scl} = 3.4 \text{ MHz}$ ), the clock running at 3.4 MHz, each 12-bit DAC update other than the first update can be done within 18 clock cycles (MSB byte, acknowledge signal, LSB byte, acknowledge signal), at 188.88 KSPS. Using the fast mode ( $f_{scl} = 400 \text{ kHz}$ ), clock running at 400 kHz, maximum DAC update rate is limited to 22.22 KSPS. Once a stop condition is received DAC7574 releases the I<sup>2</sup>C bus and awaits a new start condition.

### Address Byte

| MSB |   |   |   |   |    |    | LSB |
|-----|---|---|---|---|----|----|-----|
| 1   | 0 | 0 | 1 | 1 | A1 | A0 | R/W |

The address byte is the first byte received following the START condition from the master device. The first five bits (MSBs) of the address are factory preset to 10011. The next two bits of the address are the device select bits A1 and A0. The A1, A0 address inputs can be connected to V<sub>DD</sub> or digital GND, or can be actively driven by TTL/CMOS logic levels. The device address is set by the state of these pins during the power-up sequence of the DAC7574. Up to 4 devices (DAC7574) can still be connected to the same I<sup>2</sup>C-Bus.

### Broadcast Address Byte

| MSB |   |   |   |   |   |   | LSB |
|-----|---|---|---|---|---|---|-----|
| 1   | 0 | 0 | 1 | 0 | 0 | 0 | 0   |

Broadcast addressing is also supported by DAC7574. Broadcast addressing can be used for synchronously updating or powering down multiple DAC7574 devices. DAC7574 is designed to work with other members of the DAC857x and DAC757x families to support multichannel synchronous update. Using the broadcast address, DAC7574 responds regardless of the states of the address pins. Broadcast is supported only in write mode (Master writes to DAC7574).

### Control Byte

| MSB |   |    |    |   |      |      | LSB |
|-----|---|----|----|---|------|------|-----|
| 0   | 0 | L1 | L0 | X | Sel1 | Sel0 | PD0 |

**Table 1. Control Register Bit Descriptions**

| Bit Name | Bit Number/Description  |   |   |
|----------|-------------------------|---|---|
| L1       | Load1 (Mode Select) Bit |   | Are used for selecting the update mode.   |
| L2       | Load0 (Mode Select) Bit |   |   |
|          | 00                      | Store I <sup>2</sup> C data. The contents of MS-BYTE and LS-BYTE (or power down information) are stored in the temporary register of a selected channel. This mode does not change the DAC output of the selected channel.  |   |
|          | 01                      | Update selected DAC with I <sup>2</sup> C data. Most commonly utilized mode. The contents of MS-BYTE and LS-BYTE (or power down information) are stored in the temporary register and in the DAC register of the selected channel. This mode changes the DAC output of the selected channel with the new data.                                  |   |
|          | 10                      | 4-Channel synchronous update. The contents of MS-BYTE and LS-BYTE (or power down information) are stored in the temporary register and in the DAC register of the selected channel. Simultaneously, the other three channels get updated with previously stored data from the temporary register. This mode updates all four channels together. |   |
|          | 11                      | Broadcast update mode. This mode has two functions. In broadcast mode, DAC7574 responds regardless of local address matching, and channel selection becomes irrelevant as all channels update. This mode is intended to enable up to 16 channels simultaneous update, if used with the I <sup>2</sup> C broadcast address (1001 0000).          |   |
|          |                         | If Sel1=0   | All four channels are updated with the contents of their temporary register data. |
|          |                         | If Sel1=1   | All four channels are updated with the MS-BYTE and LS-BYTE data or powerdown.     |
| Sel1     | Buff Sel1 Bit           |   | Channel Select Bits   |
| Sel0     | Buff Sel0 Bit           |   |   |
|          | 00                      | Channel A   |   |
|          | 01                      | Channel B   |   |
|          | 10                      | Channel C   |   |
|          | 11                      | Channel D   |   |
| PD0      | Power Down Flag         |   |   |
|          | 0                       | Normal operation  |   |
|          | 1                       | Power-down flag (MSB7 and MSB6 indicate a power-down operation, as shown in Table 2).   |   |

**Table 2. Control Byte**

| C7   | C6 | C5    | C4    | C3         | C2                  | C1       | C0  | MSB7        | MSB6        | MSB5...      | DESCRIPTION  |
|--|----|-------|-------|------------|---------------------|----------|-----|-------------|-------------|--------------|--|
| 0  | 0  | Load1 | Load0 | Don't Care | Ch Sel 1            | Ch Sel 0 | PD0 | MSB (PD1)   | MSB-1 (PD2) | MSB-2 ...LSB |  |
| <b>(Address Select)</b>  |    |       |       |            |                     |          |     |             |             |              |  |
|  |    | 0     | 0     | X          | 0                   | 0        | 0   | Data        |             |              | Write to temporary register A (TRA) with data                |
|  |    | 0     | 0     | X          | 0                   | 1        | 0   | Data        |             |              | Write to temporary register B (TRB) with data                |
|  |    | 0     | 0     | X          | 1                   | 0        | 0   | Data        |             |              | Write to temporary register C (TRC) with data                |
|  |    | 0     | 0     | X          | 1                   | 1        | 0   | Data        |             |              | Write to temporary register D (TRD) with data                |
|  |    | 0     | 0     | X          | (00, 01, 10, or 11) |          | 1   | see Table 8 | 0           |              | Write to TRx (selected by C2 & C1 w/Powerdown Command)       |
|  |    | 0     | 1     | X          | (00, 01, 10, or 11) |          | 0   | Data        |             |              | Write to TRx (selected by C2 & C1 and load DACx w/data)      |
|  |    | 0     | 1     | X          | (00, 01, 10, or 11) |          | 1   | see Table 8 | 0           |              | Power-down DACx (selected by C2 and C1)                      |
|  |    | 1     | 0     | X          | (00, 01, 10, or 11) |          | 0   | Data        |             |              | Write to TRx (selected by C2 & C1 w/ data and load all DACs) |
|  |    | 1     | 0     | X          | (00, 01, 10, or 11) |          | 1   | see Table 8 | 0           |              | Power-down DACx (selected by C2 and C1) & load all DACs      |
| <b>Broadcast Modes (controls up to 4 devices on a single serial bus)</b> |    |       |       |            |                     |          |     |             |             |              |  |
| X  | X  | 1     | 1     | X          | 0                   | X        | X   | X           |             |              | Update all DACs, all devices with previously stored TRx data |
| X  | X  | 1     | 1     | X          | 1                   | X        | 0   | Data        |             |              | Update all DACs, all devices with MSB[7:0] and LSB[7:0] data |
| X  | X  | 1     | 1     | X          | 1                   | X        | 1   | see Table 8 | 0           |              | Power-down all DACs, all devices                             |

**Most Significant Byte**

Most Significant Byte MSB[7:0] consists of eight most significant bits of 12-bit unsigned binary D/A conversion data. C0=1, MSB[7], MSB[6] indicate a powerdown operation as shown in Table 8.

**Least Significant Byte**

Least Significant Byte LSB[7:0] consists of the 4 least significant bits of the 12-bit unsigned binary D/A conversion data, followed by 4 don't care bits. DAC7574 updates at the falling edge of the acknowledge signal that follows the LSB[0] bit.

**Default Readback Condition**

If the user initiates a readback of a specified channel without first writing data to that specified channel, the default readback is all zeros, since the readback register is initialized to 0 during the power on reset phase.



### LDAC Functionality

Depending on the control byte, DACs are synchronously updated on the falling edge of the acknowledge signal that follows LS byte. The LDAC pin is required only when an external timing signal is used to update all the channels of the DAC asynchronously. LDAC is a positive edge triggered asynchronous input that allows four DAC output voltages to be updated simultaneously with temporary register data. The LDAC trigger should only be used after the buffers temporary registers are properly updated through software.

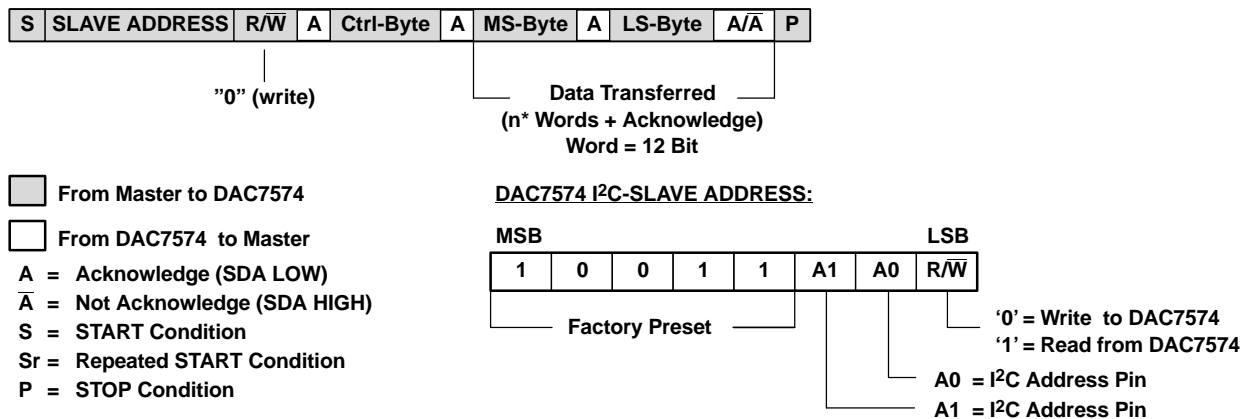
### DAC7574 Registers

**Table 3. DAC7574 Architecture Register Descriptions**

| Register                                   | Description  |
|--|--|
| CTRL[7:0]                                  | Stores 8-bit wide control byte sent by the master  |
| MSB[7:0]                                   | Stores the 8 most significant bits of unsigned binary data sent by the master. Can also store 2-bit power-down data.   |
| LSB[7:0]                                   | Stores the 4 least significant bits of unsigned binary data sent by the master.  |
| TRA[13:0], TRB[13:0], TRC[13:0], TRD[13:0] | 14-bit temporary storage registers assigned to each channel. Two MSBs store power-down information, 12 LSBs store data.  |
| DRA[13:0], DRB[13:0], DRC[13:0], DRD[13:0] | 14-bit DAC registers for each channel. Two MSBs store power-down information, 12 LSBs store DAC data. An update of this register means a DAC update with data or power-down. |

### DAC7574 as a Slave Receiver - Standard and Fast Mode

Figure 35 shows the standard and fast mode master transmitter addressing a DAC7574 *Slave Receiver* with a 7-bit address.



**Figure 35. Standard and Fast Mode: Slave Receiver**

# DAC7574

SLAS375–JUNE 2003

## DAC7574 as a Slave Receiver - High-Speed Mode

Figure 36 shows the high-speed mode master transmitter addressing a DAC7574 *Slave Receiver* with a 7-bit address.

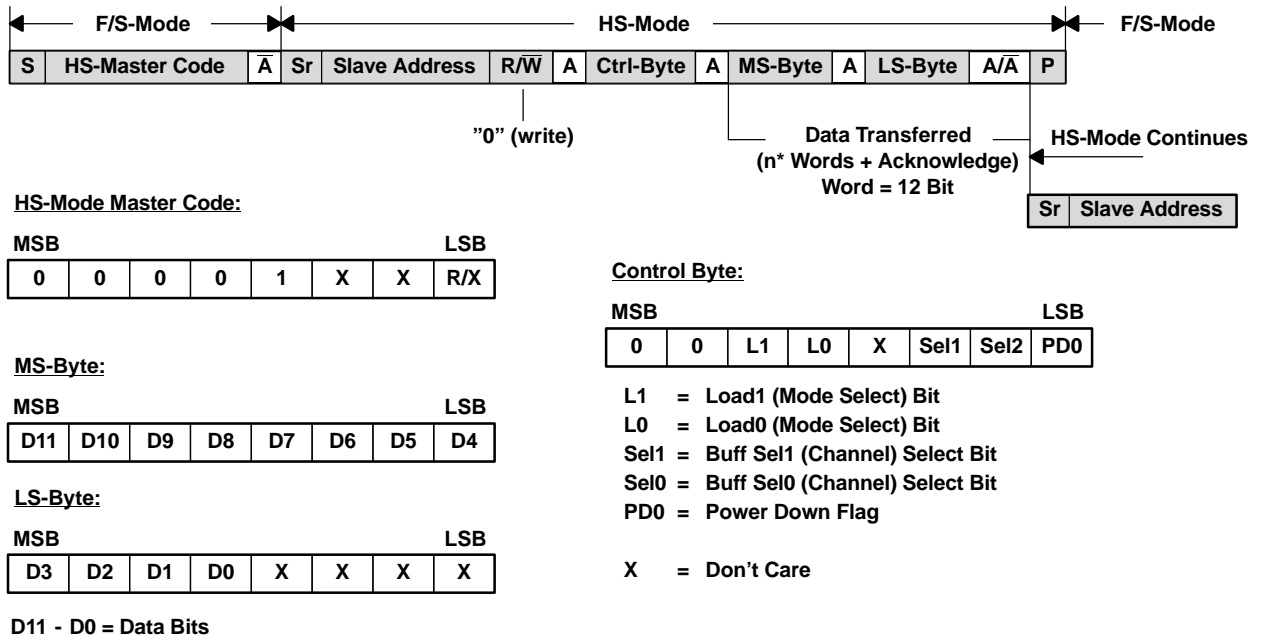


Figure 36. High-Speed Mode: Slave Receiver

## Master Transmitter Writing to a Slave Receiver (DAC7574) in Standard/Fast Modes

All write access sequences begin with the device address (with  $R/\overline{W} = 0$ ) followed by the control byte. This control byte specifies the operation mode of DAC7574 and determines which channel of DAC7574 is being accessed in the subsequent read/write operation. The LSB of the control byte (PD0-Bit) determines if the following data is power-down data or regular data.

With (PD0-Bit = 0) the DAC7574 expects to receive data in the following sequence *HIGH-BYTE –LOW-BYTE – HIGH-BYTE – LOW-BYTE...*, until a STOP Condition or REPEATED START Condition on the I<sup>2</sup>C-Bus is recognized (refer to the DATA INPUT MODE section of Table 4).

With (PD0-Bit = 1) the DAC7574 expects to receive 2 Bytes of power-down data (refer to the POWER DOWN MODE section of Table 4).

**Table 4. Write Sequence in F/S Mode**

| DATA INPUT MODE |                                    |     |        |        |    |            |            |                  |   |
|-----------------|------------------------------------|-----|--------|--------|----|------------|------------|------------------|---|
| Transmitter     | MSB                                | 6   | 5      | 4      | 3  | 2          | 1          | LSB              | Comment                                 |
| Master          | Start                              |     |        |        |    |            |            |                  | Begin sequence                          |
| Master          | 1                                  | 0   | 0      | 1      | 1  | A1         | A0         | $R/\overline{W}$ | Write addressing ( $R/\overline{W}=0$ ) |
| DAC7574         | DAC7574 Acknowledges               |     |        |        |    |            |            |                  |   |
| Master          | 0                                  | 0   | Load 1 | Load 0 | x  | Buff Sel 1 | Buff Sel 0 | PD0              | Control byte ( <b>PD0=0</b> )           |
| DAC7574         | DAC7574 Acknowledges               |     |        |        |    |            |            |                  |   |
| Master          | D11                                | D10 | D9     | D8     | D7 | D6         | D5         | D4               | Writing data word, high byte            |
| DAC7574         | DAC7574 Acknowledges               |     |        |        |    |            |            |                  |   |
| Master          | D3                                 | D2  | D1     | D0     | x  | x          | x          | x                | Writing data word, low byte             |
| DAC7574         | DAC7574 Acknowledges               |     |        |        |    |            |            |                  |   |
| Master          | Data or Stop or Repeated Start (1) |     |        |        |    |            |            |                  | Data or done (2)                        |
| POWER DOWN MODE |                                    |     |        |        |    |            |            |                  |   |
| Transmitter     | MSB                                | 6   | 5      | 4      | 3  | 2          | 1          | LSB              | Comment                                 |
| Master          | Start                              |     |        |        |    |            |            |                  | Begin sequence                          |
| Master          | 1                                  | 0   | 0      | 1      | 1  | A1         | A0         | $R/\overline{W}$ | Write addressing ( $R/\overline{W}=0$ ) |
| DAC7574         | DAC7574 Acknowledges               |     |        |        |    |            |            |                  |   |
| Master          | 0                                  | 0   | Load 1 | Load 0 | x  | Buff Sel 1 | Buff Sel 0 | PD0              | Control byte ( <b>PD0 = 1</b> )         |
| DAC7574         | DAC7574 Acknowledges               |     |        |        |    |            |            |                  |   |
| Master          | PD1                                | PD2 | 0      | 0      | 0  | 0          | 0          | 0                | Writing data word, high byte            |
| DAC7574         | DAC7574 Acknowledges               |     |        |        |    |            |            |                  |   |
| Master          | 0                                  | 0   | 0      | 0      | x  | x          | x          | x                | Writing data word, low byte             |
| DAC7574         | DAC7574 Acknowledges               |     |        |        |    |            |            |                  |   |
| Master          | Stop or Repeated Start (1)         |     |        |        |    |            |            |                  | Done                                    |

(1) Use repeated START to secure bus operation and loop back to the stage of write addressing for next Write.

(2) Once DAC7574 is properly addressed and control byte is sent, HIGH-BYTE-LOW-BYTE sequences can repeat until a STOP condition or repeated START condition is received.

### Master Transmitter Writing to a Slave Receiver (DAC7574) in HS Mode

When writing data to the DAC7574 in HS-mode, the master begins to transmit what is called the *HS-Master Code* (0000 1XXX) in F/S-mode. No device is allowed to acknowledge the *HS-Master Code*, so the *HS-Master Code* is followed by a NOT acknowledge.

The master then *switches* to HS-mode and issues a *repeated start* condition, followed by the address byte (with  $R/\bar{W} = 0$ ) after which the DAC7574 acknowledges by pulling SDA low. This address byte is usually followed by the control byte, which is also acknowledged by the DAC7574. The LSB of the control byte (PD0-Bit) determines if the following data is *power-down data* or regular data.

With (PD0-Bit = 0) the DAC7574 expects to receive data in the following sequence HIGH-BYTE – LOW-BYTE – HIGH-BYTE – LOW-BYTE..., until a STOP condition or *repeated start* condition on the I<sup>2</sup>C-Bus is recognized (refer to Table 5 HS-MODE WRITE SEQUENCE - DATA).

With (PD0-Bit = 1) the DAC7574 expects to receive 2 bytes of power-down data (refer to Table 5 HS-MODE WRITE SEQUENCE - POWER DOWN).

**Table 5. Master Transmitter Writes to Slave Receiver (DAC7574) in HS-Mode**

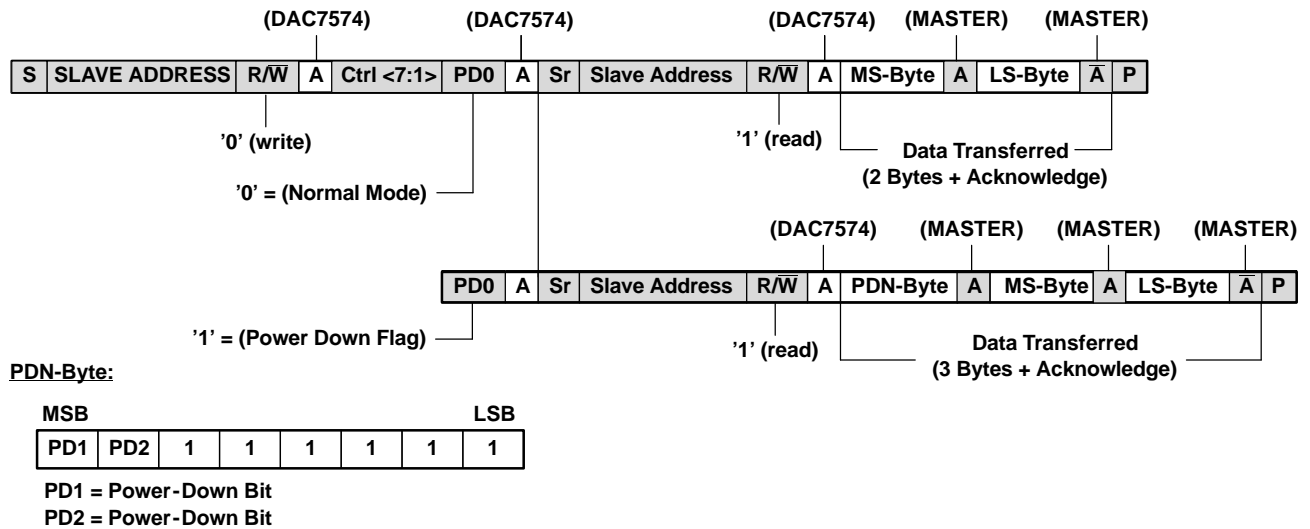
| HS MODE WRITE SEQUENCE - DATA       |                                    |     |        |        |    |            |            |             |  |
|-------------------------------------|------------------------------------|-----|--------|--------|----|------------|------------|-------------|--|
| Transmitter                         | MSB                                | 6   | 5      | 4      | 3  | 2          | 1          | LSB         | Comment                                  |
| Master                              | Start                              |     |        |        |    |            |            |             | Begin sequence                           |
| Master                              | 0                                  | 0   | 0      | 0      | 1  | X          | X          | X           | HS Mode Master Code                      |
| NONE                                | Not Acknowledge                    |     |        |        |    |            |            |             | No device may acknowledge HS master code |
| Master                              | Repeated Start                     |     |        |        |    |            |            |             |  |
| Master                              | 1                                  | 0   | 0      | 1      | 1  | A1         | A0         | $R/\bar{W}$ | Write addressing ( $R/\bar{W}=0$ )       |
| DAC7574                             | DAC7574 Acknowledges               |     |        |        |    |            |            |             |  |
| Master                              | 0                                  | 0   | Load 1 | Load 0 | 0  | Buff Sel 1 | Buff Sel 0 | PD0         | Control byte (PD0=0)                     |
| DAC7574                             | DAC7574 Acknowledges               |     |        |        |    |            |            |             |  |
| Master                              | D11                                | D10 | D9     | D8     | D7 | D6         | D5         | D4          | Writing data word, MSB                   |
| DAC7574                             | DAC7574 Acknowledges               |     |        |        |    |            |            |             |  |
| Master                              | D3                                 | D2  | D1     | D0     | x  | x          | x          | x           | Writing data word, LSB                   |
| DAC7574                             | DAC7574 Acknowledges               |     |        |        |    |            |            |             |  |
| Master                              | Data or Stop or Repeated Start (1) |     |        |        |    |            |            |             | Data or done (2)                         |
| HS MODE WRITE SEQUENCE - POWER DOWN |                                    |     |        |        |    |            |            |             |  |
| Transmitter                         | MSB                                | 6   | 5      | 4      | 3  | 2          | 1          | LSB         | Comment                                  |
| Master                              | Start                              |     |        |        |    |            |            |             | Begin sequence                           |
| Master                              | 0                                  | 0   | 0      | 0      | 1  | X          | X          | X           | HS Mode Master Code                      |
| NONE                                | Not Acknowledge                    |     |        |        |    |            |            |             | No device may acknowledge HS master code |
| Master                              | Repeated Start                     |     |        |        |    |            |            |             |  |
| Master                              | 1                                  | 0   | 0      | 1      | 1  | A1         | A0         | $R/\bar{W}$ | Write addressing ( $R/\bar{W} = 0$ )     |
| DAC7574                             | DAC7574 Acknowledges               |     |        |        |    |            |            |             |  |
| Master                              | 0                                  | 0   | Load 1 | Load 2 | 0  | Buff Sel 1 | Buff Sel 0 | PD0         | Control Byte (PD0=1)                     |
| DAC7574                             | DAC7574 Acknowledges               |     |        |        |    |            |            |             |  |
| Master                              | PD1                                | PD2 | 0      | 0      | 0  | 0          | 0          | 0           | Writing data word, high byte             |
| DAC7574                             | DAC7574 Acknowledges               |     |        |        |    |            |            |             |  |
| Master                              | 0                                  | 0   | 0      | 0      | x  | x          | x          | x           | Writing data word, low byte              |
| DAC7574                             | DAC7574 Acknowledges               |     |        |        |    |            |            |             |  |
| Master                              | Stop or repeated start (1)         |     |        |        |    |            |            |             | Done                                     |

(1) Use repeated start to secure bus operation and loop back to the stage of write addressing for next Write.

(2) Once DAC7574 is properly addressed and control byte is sent, high-byte-low-byte sequences can repeat until a stop or repeated start condition is received.

### DAC7574 as a Slave Transmitter - Standard and Fast Mode

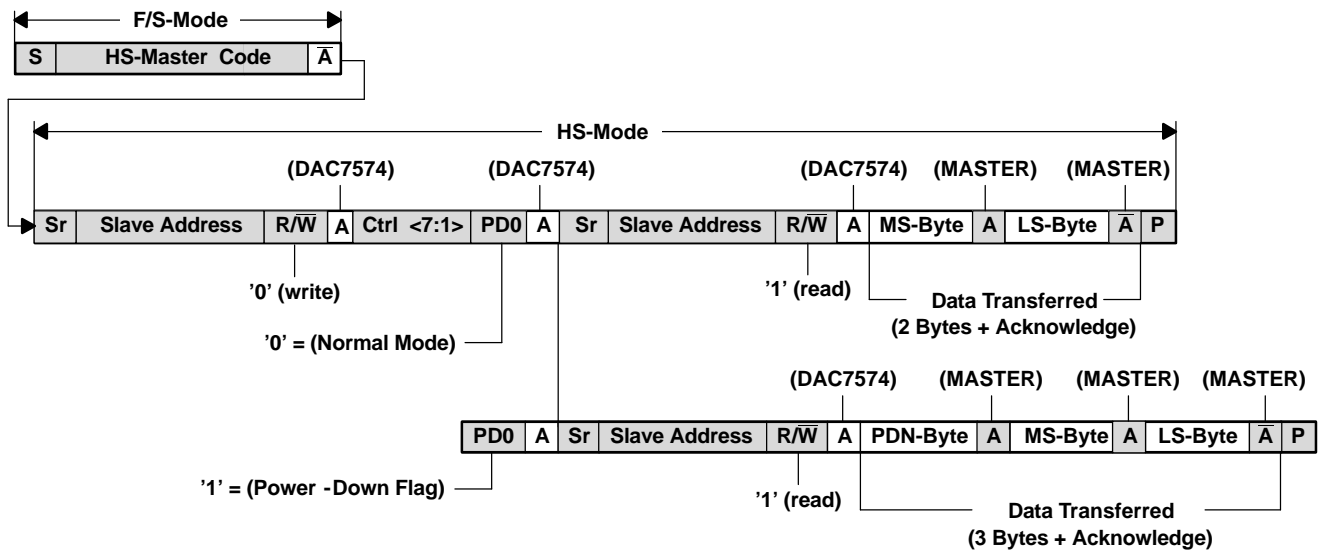
Figure 37 shows the standard and fast mode master transmitter addressing a DAC7574 *Slave Transmitter* with a 7-bit address.



**Figure 37. Standard and Fast Mode: Slave Transmitter**

### DAC7574 as a Slave Transmitter - High-Speed Mode

Figure 38 shows an I<sup>2</sup>C-Master addressing DAC7574 in high-speed mode (with a 7-bit address), as a *Slave Transmitter*.



**Figure 38. High-Speed Mode: Slave Transmitter**

**Master Receiver Reading From a Slave Transmitter (DAC7574) in Standard/Fast Modes**

When reading data back from the DAC7574, the user begins with an address byte (with  $R/\overline{W} = 0$ ) after which the DAC7574 will acknowledge by pulling SDA low. This address byte is usually followed by the Control Byte, which is also acknowledged by the DAC7574. Following this there is a REPEATED START condition by the Master and the address is resent with ( $R/\overline{W} = 1$ ). This is acknowledged by the DAC7574, indicating that it is prepared to transmit data. Two or three bytes of data are then read back from the DAC7574, depending on the (PD0-Bit). The value of *Buff-Sel1* and *Buff-Sel0* determines, which channel data is read back. A STOP Condition follows.

With the (PD0-Bit = 0) the DAC7574 transmits 2 bytes of data, *HIGH-BYTE* followed by the *LOW-BYTE* (refer to Table 2. Data Readback Mode - 2 bytes).

With the (PD0-Bit = 1) the DAC7574 transmits 3 bytes of data, *POWER-DOWN-BYTE* followed by the *HIGH-BYTE* followed by the *LOW-BYTE* (refer to Table 2. Data Readback Mode - 3 bytes).

**Table 6. Read Sequence in F/S Mode**

| DATA READBACK MODE - 2 BYTES |                            |     |        |        |    |            |            |                  |  |
|------------------------------|----------------------------|-----|--------|--------|----|------------|------------|------------------|--|
| Transmitter                  | MSB                        | 6   | 5      | 4      | 3  | 2          | 1          | LSB              | Comment                                  |
| Master                       | Start                      |     |        |        |    |            |            |                  | Begin sequence                           |
| Master                       | 1                          | 0   | 0      | 1      | 1  | A1         | A0         | $R/\overline{W}$ | Write addressing ( $R/\overline{W}=0$ )  |
| DAC7574                      | DAC7574 Acknowledges       |     |        |        |    |            |            |                  |  |
| Master                       | 0                          | 0   | Load 1 | Load 0 | x  | Buff Sel 1 | Buff Sel 0 | PD0              | Control byte (PD0=0)                     |
| DAC7574                      | DAC7574 Acknowledges       |     |        |        |    |            |            |                  |  |
| Master                       | Repeated Start             |     |        |        |    |            |            |                  |  |
| Master                       | 1                          | 0   | 0      | 1      | 1  | A1         | A0         | $R/\overline{W}$ | Read addressing ( $R/\overline{W} = 1$ ) |
| DAC7574                      | DAC7574 Acknowledges       |     |        |        |    |            |            |                  |  |
| DAC7574                      | D11                        | D10 | D9     | D8     | D7 | D6         | D5         | D4               | Reading data word, high byte             |
| Master                       | Master Acknowledges        |     |        |        |    |            |            |                  |  |
| DAC7574                      | D3                         | D2  | D1     | D0     | x  | x          | x          | x                | Reading data word, low byte              |
| Master                       | Master Not Acknowledges    |     |        |        |    |            |            |                  | Master signal end of read                |
| Master                       | Stop or Repeated Start (1) |     |        |        |    |            |            |                  | Done                                     |
| DATA READBACK MODE - 3 BYTES |                            |     |        |        |    |            |            |                  |  |
| Transmitter                  | MSB                        | 6   | 5      | 4      | 3  | 2          | 1          | LSB              | Comment                                  |
| Master                       | Start                      |     |        |        |    |            |            |                  | Begin sequence                           |
| Master                       | 1                          | 0   | 0      | 1      | 1  | A1         | A0         | $R/\overline{W}$ | Write addressing ( $R/\overline{W}=0$ )  |
| DAC7574                      | DAC7574 Acknowledges       |     |        |        |    |            |            |                  |  |
| Master                       | 0                          | 0   | Load 1 | Load 0 | x  | Buff Sel 1 | Buff Sel 0 | PD0              | Control byte (PD0=1)                     |
| DAC7574                      | DAC7574 Acknowledges       |     |        |        |    |            |            |                  |  |
| Master                       | Repeated Start             |     |        |        |    |            |            |                  |  |
| Master                       | 1                          | 0   | 0      | 1      | 1  | A1         | A0         | $R/\overline{W}$ | Read addressing ( $R/\overline{W} = 1$ ) |
| DAC7574                      | DAC7574 Acknowledges       |     |        |        |    |            |            |                  |  |
| DAC7574                      | PD1                        | PD2 | 1      | 1      | 1  | 1          | 1          | 1                | Read power down byte                     |
| Master                       | Master Acknowledges        |     |        |        |    |            |            |                  |  |
| DAC7574                      | D11                        | D10 | D9     | D8     | D7 | D6         | D5         | D4               | Reading data word, high byte             |
| Master                       | Master Acknowledges        |     |        |        |    |            |            |                  |  |
| DAC7574                      | D3                         | D2  | D1     | D0     | x  | x          | x          | x                | Reading data word, low byte              |
| Master                       | Master Not Acknowledges    |     |        |        |    |            |            |                  | Master signal end of read                |
| Master                       | Stop or Repeated Start (1) |     |        |        |    |            |            |                  | Done                                     |

(1) Use repeated start to secure bus operation and loop back to the stage of write addressing for next Write.

## Master Receiver Reading From a Slave Transmitter (DAC7574) in HS-Mode

When reading data to the DAC7574 in HS-MODE, the master begins to transmit, what is called the *HS-Master Code* (0000 1XXX) in F/S-mode. No device is allowed to acknowledge the *HS-Master Code*, so the *HS-Master Code* is followed by a NOT acknowledge.

The Master then *switches* to HS-mode and issues a REPEATED START condition, followed by the address byte (with  $R/\overline{W} = 0$ ) after which the DAC7574 acknowledges by pulling SDA low. This address byte is usually followed by the control byte, which is also acknowledged by the DAC7574.

Then there is a REPEATED START condition initiated by the master and the address is resent with ( $R/\overline{W} = 1$ ). This is acknowledged by the DAC7574, indicating that it is prepared to transmit data. Two or Three bytes of data are then read back from the DAC7574, depending on the (PD0-Bit). The value of *Buff-Sel1* and *Buff-Sel0* determines, which channel data is read back. A STOP condition follows.

With the (PD0-Bit = 0) the DAC7574 transmits 2 bytes of data, *HIGH-BYTE* followed by *LOW-BYTE* (refer to Table 7 HS-Mode Readback Sequence).

With the (PD0-Bit = 1) the DAC7574 transmits 3 bytes of data, *POWER-DOWN-BYTE* followed by the *HIGH-BYTE* followed by the *LOW-BYTE* (refer to Table 7 HS-Mode Readback Sequence).

**Table 7. Master Receiver Reading Slave Transmitter (DAC7574) in HS-Mode**

| HS MODE READBACK SEQUENCE |                         |     |        |        |    |            |            |                  |  |
|---------------------------|-------------------------|-----|--------|--------|----|------------|------------|------------------|--|
| Transmitter               | MSB                     | 6   | 5      | 4      | 3  | 2          | 1          | LSB              | Comment                                  |
| Master                    | Start                   |     |        |        |    |            |            |                  | Begin sequence                           |
| Master                    | 0                       | 0   | 0      | 0      | 1  | X          | X          | X                | HS Mode Master Code                      |
| NONE                      | Not Acknowledge         |     |        |        |    |            |            |                  | No device may acknowledge HS master code |
| Master                    | Repeated Start          |     |        |        |    |            |            |                  |  |
| Master                    | 1                       | 0   | 0      | 1      | 1  | A1         | A0         | $R/\overline{W}$ | Write addressing ( $R/\overline{W}=0$ )  |
| DAC7574                   | DAC7574 Acknowledges    |     |        |        |    |            |            |                  |  |
| Master                    | 0                       | 0   | Load 1 | Load 0 | X  | Buff Sel 1 | Buff Sel 0 | PD0              | Control byte (PD0 = 1)                   |
| DAC7574                   | DAC7574 Acknowledges    |     |        |        |    |            |            |                  |  |
| Master                    | Repeated Start          |     |        |        |    |            |            |                  |  |
| Master                    | 1                       | 0   | 0      | 1      | 1  | A1         | A0         | $R/\overline{W}$ | Read addressing ( $R/\overline{W}=1$ )   |
| DAC7574                   | DAC7574 Acknowledges    |     |        |        |    |            |            |                  |  |
| DAC7574                   | PD1                     | PD2 | 1      | 1      | 1  | 1          | 1          | 1                | Power-down byte                          |
| Master                    | Master Acknowledges     |     |        |        |    |            |            |                  |  |
| DAC7574                   | D11                     | D10 | D9     | D8     | D7 | D6         | D5         | D4               | Reading data word, high byte             |
| Master                    | Master Acknowledges     |     |        |        |    |            |            |                  |  |
| DAC7574                   | D3                      | D2  | D1     | D0     | x  | x          | x          | x                | Reading data word, low byte              |
| Master                    | Master Not Acknowledges |     |        |        |    |            |            |                  | Master signal end of read                |
| Master                    | Stop or Repeated Start  |     |        |        |    |            |            |                  | Done                                     |

## Power-On Reset

The DAC7574 contains a power-on-reset circuit that controls the output voltage during power up. On power up, the DAC register is filled with zeros and the output voltage is 0 V; it remains there until a valid write sequence is made to the DAC. This is useful in applications where it is important to know the state of the output of the DAC while it is in the process of powering up. No device pin should be brought high before supply is applied.

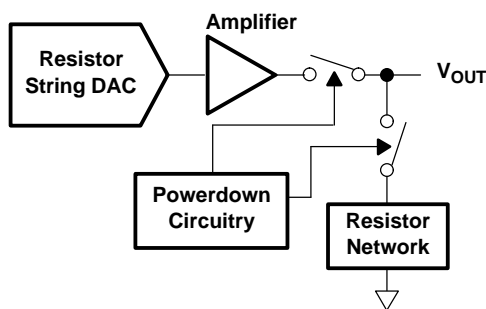
**Power-Down Modes**

The DAC7574 contains four separate power-down modes of operation. The modes are programmable via two most significant bits of the MSB byte, while (CTRL[0] = PD0 = 1). Table 8 shows how the state of these bits correspond to the mode of operation of the device.

**Table 8. Power-Down Modes of Operation for the DAC7574**

| CTRL[0] | MSB[7] | MSB[6] | OPERATING MODE        |
|---------|--------|--------|-----------------------|
| 1       | 0      | 0      | High Impedance Output |
| 1       | 0      | 1      | 1 kΩ to GND           |
| 1       | 1      | 0      | 100 kΩ to GND         |
| 1       | 1      | 1      | High Impedance        |

When (CTRL[0] = PD0 = 0), the device works normally with its normal power consumption of 150 μA at 5 V per channel. However, for the three power-down modes, the supply current falls to 200 nA at 5 V (50 nA at 3 V). Not only does the supply current fall but also the output stage is also internally switched from the output of the amplifier to a resistor network of known values. This has the advantage that the output impedance of the device is known while in power-down mode. There are three different options: The output is connected internally to GND through a 1 kΩ resistor, a 100 kΩ resistor or left open-circuit (high impedance). The output stage is illustrated in Figure 39.



**Figure 39. Output Stage During Power Down**

All linear circuitry is shut down when the power-down mode is activated. However, the contents of the DAC register are unaffected when in power-down. The time to exit power down is typically 2.5 μs for V<sub>DD</sub> = 5 V and 5 μs for V<sub>DD</sub> = 3 V. (See the Typical Curves section for additional information.)

The DAC7574 offers a flexible power-down interface based on channel register operation. A channel consists of a single 12 bit DAC with power-down circuitry, a temporary storage register (TR) and a DAC register (DR). TR and DR are both 14 bits wide. Two MSBs represent the power-down condition and the 12 LSBs represent data for TR and DR. By using bits 13 and 14 of TR and DR, a power-down condition can be temporarily stored and used just like data. Internal circuits ensure that MSB[7] and MSB[6] get transferred to TR[13] and TR[12] (DR[13] and DR[12]) when the power-down flag (CTRL[0] = PD0) is set. Therefore, DAC7574 treats power-down conditions like data and all the operational modes are still valid for power down. It is possible to broadcast a power-down condition to all the DAC7574s in the system, or it is possible to simultaneously power down a channel while updating data on other channels.

**CURRENT CONSUMPTION**

The DAC7574 typically consumes 150μA at V<sub>DD</sub> = 5 V and 125μA at V<sub>DD</sub> = 3 V for each active channel, including reference current consumption. Additional current consumption can occur at the digital inputs if V<sub>IH</sub> << V<sub>DD</sub>. For most efficient power operation, CMOS logic levels are recommended at the digital inputs to the DAC. In power-down mode, typical current consumption is 200 nA. A delay time of 10 to 20 ms after a power-down command is issued to the DAC is typically sufficient for the power-down current to drop below 10 μA.



## DRIVING RESISTIVE AND CAPACITIVE LOADS

The DAC7574 output stage is capable of driving loads of up to 1000 pF while remaining stable. Within the offset and gain error margins, the DAC7574 can operate rail-to-rail when driving a capacitive load. Resistive loads of 2 k $\Omega$  can be driven by the DAC7574 while achieving a typical load regulation of 1%. As the load resistance drops below 2 k $\Omega$ , the load regulation error increases. When the outputs of the DAC are driven to the positive rail under resistive loading, the PMOS transistor of each Class-AB output stage can enter into the linear region. When this occurs, the added IR voltage drop deteriorates the linearity performance of the DAC. This only occurs within approximately the top 20 mV of the DAC's digital input-to-voltage output transfer characteristic. The reference voltage applied to the DAC7574 may be reduced below the supply voltage applied to  $V_{DD}$  in order to eliminate this condition if good linearity is a requirement at full scale (under resistive loading conditions).

## CROSSTALK

The DAC7574 architecture uses separate resistor strings for each DAC channel in order to achieve ultra-low crosstalk performance. DC crosstalk seen at one channel during a full-scale change on the neighboring channel is typically less than 0.5 LSBs. The ac crosstalk measured (for a full-scale, 1 kHz sine wave output generated at one channel, and measured at the remaining output channel) is typically under -100 dB.

## OUTPUT VOLTAGE STABILITY

The DAC7574 exhibits excellent temperature stability of  $\pm 3$  ppm/ $^{\circ}\text{C}$  typical output voltage drift over the specified temperature range of the device. This enables the output voltage of each channel to stay within a  $\pm 25$   $\mu\text{V}$  window for a  $\pm 1^{\circ}\text{C}$  ambient temperature change. Combined with good dc noise performance and true 12-bit differential linearity, the DAC7574 becomes a perfect choice for closed-loop control applications.

## SETTLING TIME AND OUTPUT GLITCH PERFORMANCE

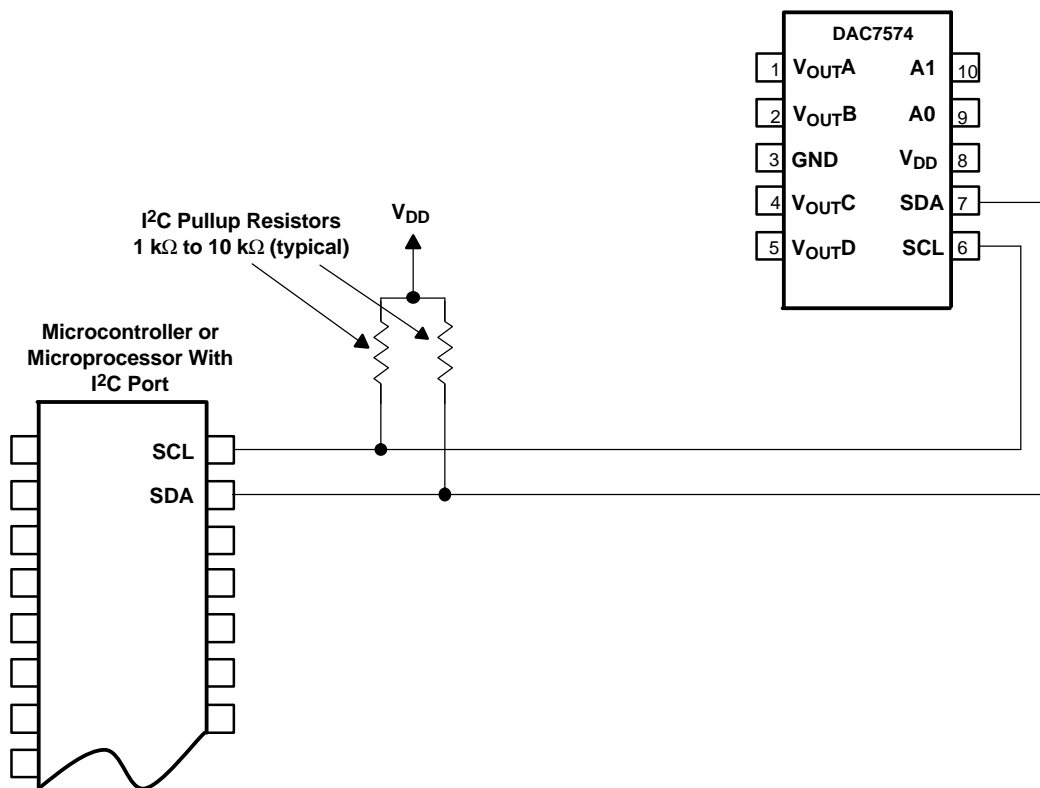
Settling time to within the 12-bit accurate range of the DAC7574 is achievable within 10  $\mu\text{s}$  for a full-scale code change at the input. Worst case settling times between consecutive code changes is typically less than 2  $\mu\text{s}$ . The high-speed serial interface of the DAC7574 is designed in order to support up to 188ksps update rate. For full-scale output swings, the output stage of each DAC7574 channel typically exhibits less than 100 mV of overshoot and undershoot when driving a 200 pF capacitive load. Code-to-code change glitches are extremely low ( $\sim 10$   $\mu\text{V}$ ) given that the code-to-code transition does not cross an  $N \times 256$  code boundary. Due to internal segmentation of the DAC7574, code-to-code glitches occur at each crossing of an  $N \times 256$  code boundary. These glitches can approach 100 mVs for  $N = 15$ , but settle out within  $\sim 2$   $\mu\text{s}$ . Sufficient bypass capacitance is required to ensure 10  $\mu\text{s}$  settling under capacitive loading. To observe the settling performance under resistive load conditions, the power supply (hence DAC7574 reference supply) must settle quicker than the DAC7574.

APPLICATION INFORMATION

The following sections give example circuits and tips for using the DAC7574 in various applications. For more information, contact your local TI representative, or visit the Texas Instruments website at <http://www.ti.com>.

BASIC CONNECTIONS

For many applications, connecting the DAC7574 is extremely simple. A basic connection diagram for the DAC7574 is shown in Figure 40. The 0.1  $\mu$ F bypass capacitors help provide the momentary bursts of extra current needed from the supplies.



NOTE: DAC7574 power and input/output connections are omitted for clarity, except I<sup>2</sup>C Inputs.

Figure 40. Typical DAC7574 Connections

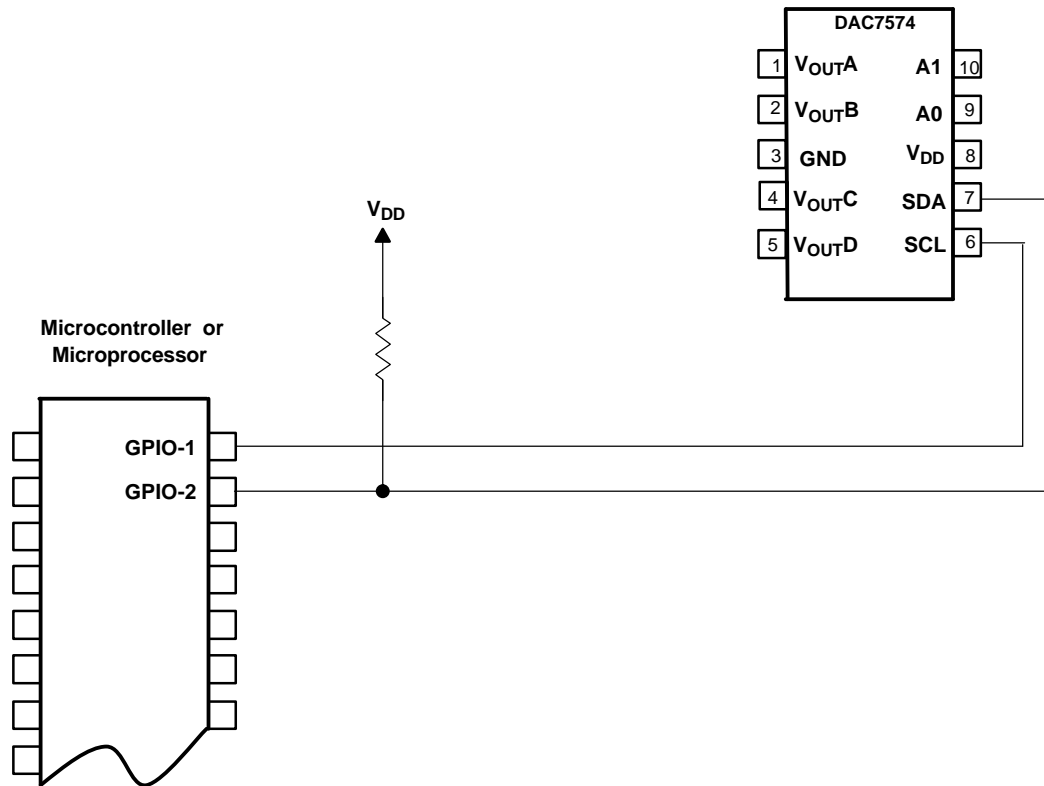
The DAC7574 interfaces directly to standard mode, fast mode and high-speed mode I<sup>2</sup>C controllers. Any microcontroller's I<sup>2</sup>C peripheral, including master-only and non-multiple-master I<sup>2</sup>C peripherals, work with the DAC7574. The DAC7574 does not perform clock-stretching (i.e., it never pulls the clock line low), so it is not necessary to provide for this unless other devices are on the same I<sup>2</sup>C bus.

Pullup resistors are necessary on both the SDA and SCL lines because I<sup>2</sup>C bus drivers are open-drain. The size of these resistors depend on the bus operating speed and capacitance on the bus lines. Higher-value resistors consume less power, but increase the transition times on the bus, limiting the bus speed. Lower-value resistors allow higher speed at the expense of higher power consumption. Long bus lines have higher capacitance and require smaller pullup resistors to compensate. If the pullup resistors are too small the bus drivers may not be able to pull the bus line low.

USING GPIO PORTS FOR I<sup>2</sup>C

Most microcontrollers have programmable input/output pins that can be set in software to act as inputs or outputs. If an I<sup>2</sup>C controller is not available, the DAC7574 can be connected to GPIO pins, and the I<sup>2</sup>C bus protocol simulated, or bit-banged, in software. An example of this for a single DAC7574 is shown in Figure 41.

## APPLICATION INFORMATION (continued)



NOTE: DAC7574 power and input/output connections are omitted for clarity, except I<sup>2</sup>C Inputs.

**Figure 41. Using GPIO With a Single DAC7574**

Bit-banging I<sup>2</sup>C with GPIO pins can be done by setting the GPIO line to zero and toggling it between input and output modes to apply the proper bus states. To drive the line low, the pin is set to output a zero; to let the line go high, the pin is set to input. When the pin is set to input, the state of the pin can be read; if another device is pulling the line low, this reads as a zero in the port's input register.

Note that no pullup resistor is shown on the SCL line. In this simple case the resistor is not needed. The microcontroller can simply leave the line on output, and set it to one or zero as appropriate. It can do this because the DAC7574 never drives its clock line low. This technique can also be used with multiple devices, and has the advantage of lower current consumption due to the absence of a resistive pullup.

If there are any devices on the bus that may drive their clock lines low, the above method should not be used. The SCL line should be high-Z or zero, and a pullup resistor provided as usual. Note also that this cannot be done on the SDA line in any case, because the DAC7574 drives the SDA line low from time to time, as all I<sup>2</sup>C devices do.

Some microcontrollers have selectable strong pullup circuits built in to their GPIO ports. In some cases, these can be switched on and used in place of an external pullup resistor. Weak pullups are also provided on some microcontrollers, but usually these are too weak for I<sup>2</sup>C communication. Test any circuit before committing it to production.

**APPLICATION INFORMATION (continued)**

**POWER SUPPLY REJECTION**

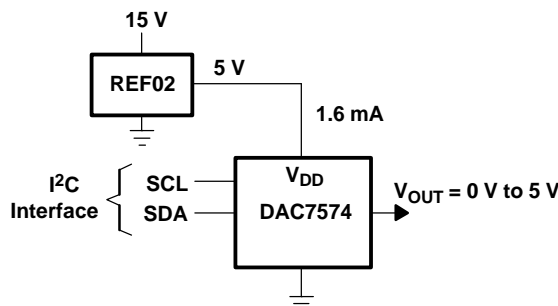
The positive reference voltage input of DAC7574 is internally tied to the power supply pin of the device. This increases I<sup>2</sup>C system flexibility, creating room for an extra I<sup>2</sup>C address pin in a low pin-count package. To eliminate the supply noise appearing at the DAC output, the user must pay close attention to how DAC7574 is powered. The supply to DAC7574 must be clean and well regulated. For best performance, use of a precision voltage reference is recommended to supply power to DAC7574. This is equivalent to providing a precision external reference to the device. Due to low power consumption of DAC7574, load regulation errors are negligible. In order to avoid excess power consumption at the Schmitt-triggered inputs of DAC7574, the precision reference voltage should be close to the I<sup>2</sup>C bus pullup voltage. For 3-V, 3.3-V and 5-V I<sup>2</sup>C bus pullup voltages, REF2930, REF2933 and REF02 precision voltage references are recommended respectively. These precision voltage references can be used to supply power for multiple devices on a system.

**USING REF02 AS A POWER SUPPLY FOR DAC7574**

Due to the extremely low supply current required by the DAC7574, a possible configuration is to use a REF02 +5 V precision voltage reference to supply the required voltage to the DAC7574's supply input as well as the reference input, as shown in Figure 42. This is especially useful if the power supply is quite noisy or if the system supply voltages are at some value other than 5 V. The REF02 outputs a steady supply voltage for the DAC7574. If the REF02 is used, the current it needs to supply to the DAC7574 is 600 μA typical and 900 μA max for V<sub>DD</sub> = 5 V. When a DAC output is loaded, the REF02 also needs to supply the current to the load. The total typical current required (with a 5-kΩ load on a single DAC output) is:

$$600 \mu\text{A} + (5 \text{ V} / 5 \text{ k}\Omega) = 1.6 \text{ mA}$$

The load regulation of the REF02 is typically 0.005%/mA, which results in an error of 400μV for 1.6-mA of current drawn from it. This corresponds to a 0.33 LSB error for a 0 V to 5 V output range.



**Figure 42. REF02 Power Supply**

**LAYOUT**

A precision analog component requires careful layout, adequate bypassing, and clean, well-regulated power supplies.

The power applied to V<sub>DD</sub> should be well-regulated and low noise. Switching power supplies and dc/dc converters often have high-frequency glitches or spikes riding on the output voltage. In addition, digital components can create similar high-frequency spikes as their internal logic switches states. This noise can easily couple into the DAC output voltage through various paths between the power connections and analog output.

As with the GND connection,  $V_{DD}$  should be connected to a positive power-supply plane or trace that is separate from the connection for digital logic until they are connected at the power-entry point. In addition, a 1  $\mu\text{F}$  to 10  $\mu\text{F}$  capacitor in parallel with a 0.1  $\mu\text{F}$  bypass capacitor is strongly recommended. In some situations, additional bypassing may be required, such as a 100  $\mu\text{F}$  electrolytic capacitor or even a Pi filter made up of inductors and capacitors—all designed to essentially low-pass filter the  $-5\text{ V}$  supply, removing the high-frequency noise.

**PACKAGING INFORMATION**

| Orderable Device | Status<br>(1) | Package Type | Package Drawing | Pins | Package Qty | Eco Plan<br>(2) | Lead finish/<br>Ball material<br>(6) | MSL Peak Temp<br>(3) | Op Temp (°C) | Device Marking<br>(4/5) | Samples                 |
|------------------|---------------|--------------|-----------------|------|-------------|-----------------|--------------------------------------|----------------------|--------------|-------------------------|-------------------------|
| DAC7574IDGS      | ACTIVE        | VSSOP        | DGS             | 10   | 80          | RoHS & Green    | NIPDAUAG                             | Level-2-260C-1 YEAR  | -40 to 105   | D774                    | <a href="#">Samples</a> |
| DAC7574IDGSG4    | ACTIVE        | VSSOP        | DGS             | 10   | 80          | RoHS & Green    | NIPDAUAG                             | Level-2-260C-1 YEAR  | -40 to 105   | D774                    | <a href="#">Samples</a> |
| DAC7574IDGSR     | ACTIVE        | VSSOP        | DGS             | 10   | 2500        | RoHS & Green    | NIPDAUAG                             | Level-2-260C-1 YEAR  | -40 to 105   | D774                    | <a href="#">Samples</a> |
| DAC7574IDGSRG4   | ACTIVE        | VSSOP        | DGS             | 10   | 2500        | RoHS & Green    | NIPDAUAG                             | Level-2-260C-1 YEAR  | -40 to 105   | D774                    | <a href="#">Samples</a> |

(1) The marketing status values are defined as follows:

**ACTIVE:** Product device recommended for new designs.

**LIFEBUY:** TI has announced that the device will be discontinued, and a lifetime-buy period is in effect.

**NRND:** Not recommended for new designs. Device is in production to support existing customers, but TI does not recommend using this part in a new design.

**PREVIEW:** Device has been announced but is not in production. Samples may or may not be available.

**OBSELETE:** TI has discontinued the production of the device.

(2) **RoHS:** TI defines "RoHS" to mean semiconductor products that are compliant with the current EU RoHS requirements for all 10 RoHS substances, including the requirement that RoHS substance do not exceed 0.1% by weight in homogeneous materials. Where designed to be soldered at high temperatures, "RoHS" products are suitable for use in specified lead-free processes. TI may reference these types of products as "Pb-Free".

**RoHS Exempt:** TI defines "RoHS Exempt" to mean products that contain lead but are compliant with EU RoHS pursuant to a specific EU RoHS exemption.

**Green:** TI defines "Green" to mean the content of Chlorine (Cl) and Bromine (Br) based flame retardants meet JS709B low halogen requirements of <=1000ppm threshold. Antimony trioxide based flame retardants must also meet the <=1000ppm threshold requirement.

(3) MSL, Peak Temp. - The Moisture Sensitivity Level rating according to the JEDEC industry standard classifications, and peak solder temperature.

(4) There may be additional marking, which relates to the logo, the lot trace code information, or the environmental category on the device.

(5) Multiple Device Markings will be inside parentheses. Only one Device Marking contained in parentheses and separated by a "-" will appear on a device. If a line is indented then it is a continuation of the previous line and the two combined represent the entire Device Marking for that device.

(6) Lead finish/Ball material - Orderable Devices may have multiple material finish options. Finish options are separated by a vertical ruled line. Lead finish/Ball material values may wrap to two lines if the finish value exceeds the maximum column width.

**Important Information and Disclaimer:**The information provided on this page represents TI's knowledge and belief as of the date that it is provided. TI bases its knowledge and belief on information provided by third parties, and makes no representation or warranty as to the accuracy of such information. Efforts are underway to better integrate information from third parties. TI has taken and

continues to take reasonable steps to provide representative and accurate information but may not have conducted destructive testing or chemical analysis on incoming materials and chemicals. TI and TI suppliers consider certain information to be proprietary, and thus CAS numbers and other limited information may not be available for release.

In no event shall TI's liability arising out of such information exceed the total purchase price of the TI part(s) at issue in this document sold by TI to Customer on an annual basis.

**TAPE AND REEL INFORMATION**

**QUADRANT ASSIGNMENTS FOR PIN 1 ORIENTATION IN TAPE**


\*All dimensions are nominal

| Device       | Package Type | Package Drawing | Pins | SPQ  | Reel Diameter (mm) | Reel Width W1 (mm) | A0 (mm) | B0 (mm) | K0 (mm) | P1 (mm) | W (mm) | Pin1 Quadrant |
|--------------|--------------|-----------------|------|------|--------------------|--------------------|---------|---------|---------|---------|--------|---------------|
| DAC7574IDGSR | VSSOP        | DGS             | 10   | 2500 | 330.0              | 12.4               | 5.3     | 3.4     | 1.4     | 8.0     | 12.0   | Q1            |



TAPE AND REEL BOX DIMENSIONS



\*All dimensions are nominal

| Device       | Package Type | Package Drawing | Pins | SPQ  | Length (mm) | Width (mm) | Height (mm) |
|--------------|--------------|-----------------|------|------|-------------|------------|-------------|
| DAC7574IDGSR | VSSOP        | DGS             | 10   | 2500 | 350.0       | 350.0      | 43.0        |

# DGS0010A



# PACKAGE OUTLINE

## VSSOP - 1.1 mm max height

SMALL OUTLINE PACKAGE



4221984/A 05/2015

### NOTES:

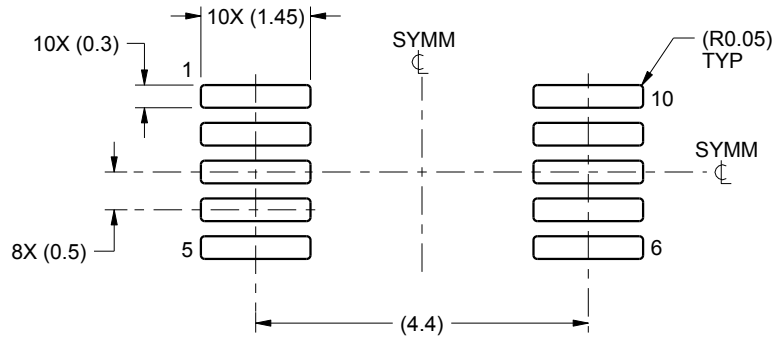
1. All linear dimensions are in millimeters. Any dimensions in parenthesis are for reference only. Dimensioning and tolerancing per ASME Y14.5M.
2. This drawing is subject to change without notice.
3. This dimension does not include mold flash, protrusions, or gate burrs. Mold flash, protrusions, or gate burrs shall not exceed 0.15 mm per side.
4. This dimension does not include interlead flash. Interlead flash shall not exceed 0.25 mm per side.
5. Reference JEDEC registration MO-187, variation BA.

# EXAMPLE BOARD LAYOUT

DGS0010A

VSSOP - 1.1 mm max height

SMALL OUTLINE PACKAGE



LAND PATTERN EXAMPLE  
SCALE:10X



SOLDER MASK DETAILS  
NOT TO SCALE

4221984/A 05/2015

NOTES: (continued)

- 6. Publication IPC-7351 may have alternate designs.
- 7. Solder mask tolerances between and around signal pads can vary based on board fabrication site.

# EXAMPLE STENCIL DESIGN

DGS0010A

VSSOP - 1.1 mm max height

SMALL OUTLINE PACKAGE



SOLDER PASTE EXAMPLE  
BASED ON 0.125 mm THICK STENCIL  
SCALE:10X

4221984/A 05/2015

NOTES: (continued)

8. Laser cutting apertures with trapezoidal walls and rounded corners may offer better paste release. IPC-7525 may have alternate design recommendations.
9. Board assembly site may have different recommendations for stencil design.

## IMPORTANT NOTICE AND DISCLAIMER

TI PROVIDES TECHNICAL AND RELIABILITY DATA (INCLUDING DATASHEETS), DESIGN RESOURCES (INCLUDING REFERENCE DESIGNS), APPLICATION OR OTHER DESIGN ADVICE, WEB TOOLS, SAFETY INFORMATION, AND OTHER RESOURCES "AS IS" AND WITH ALL FAULTS, AND DISCLAIMS ALL WARRANTIES, EXPRESS AND IMPLIED, INCLUDING WITHOUT LIMITATION ANY IMPLIED WARRANTIES OF MERCHANTABILITY, FITNESS FOR A PARTICULAR PURPOSE OR NON-INFRINGEMENT OF THIRD PARTY INTELLECTUAL PROPERTY RIGHTS.

These resources are intended for skilled developers designing with TI products. You are solely responsible for (1) selecting the appropriate TI products for your application, (2) designing, validating and testing your application, and (3) ensuring your application meets applicable standards, and any other safety, security, or other requirements. These resources are subject to change without notice. TI grants you permission to use these resources only for development of an application that uses the TI products described in the resource. Other reproduction and display of these resources is prohibited. No license is granted to any other TI intellectual property right or to any third party intellectual property right. TI disclaims responsibility for, and you will fully indemnify TI and its representatives against, any claims, damages, costs, losses, and liabilities arising out of your use of these resources.

TI's products are provided subject to TI's Terms of Sale ([www.ti.com/legal/termsofsale.html](http://www.ti.com/legal/termsofsale.html)) or other applicable terms available either on [ti.com](http://ti.com) or provided in conjunction with such TI products. TI's provision of these resources does not expand or otherwise alter TI's applicable warranties or warranty disclaimers for TI products.

Mailing Address: Texas Instruments, Post Office Box 655303, Dallas, Texas 75265  
Copyright © 2020, Texas Instruments Incorporated