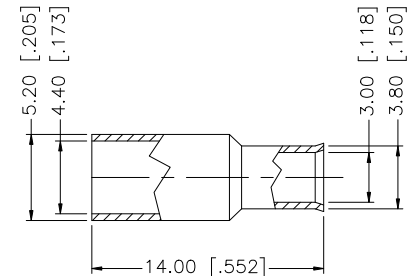
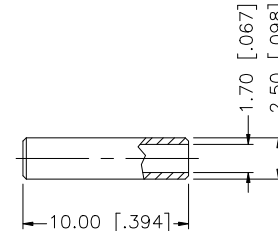
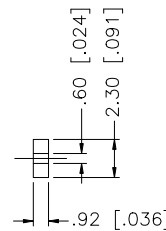
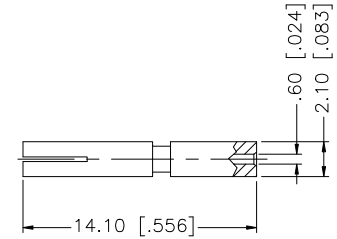
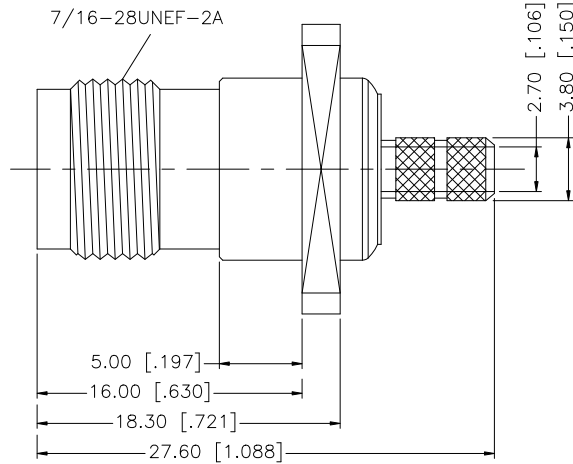
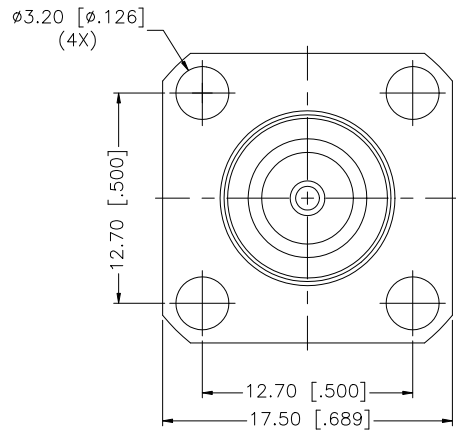
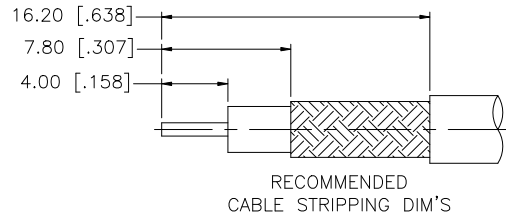


REV.	DATE	ECR NO.	DESCRIPTION
NC	09/29/04	-	INITIAL RELEASE
A	12/28/08	-	DESIGN CHANGE - ADD INSULATOR



NOTE:

1. CRIMPED FERRULE HEX CRIMP SIZE .178" [4.52]
2. CRIMPED CONTACT PIN HEX CRIMP SIZE .068" [1.73]

DESCRIPTION	MATERIAL	FINISH	QTY	DO NOT SCALE DRAWING	APPROVALS	DATE	Amphenol Connex				
8				<small>UNLESS OTHERWISE SPECIFIED DIMENSIONS ARE IN MILLIMETERS. DIMENSIONS IN [] ARE IN INCHES AND FOR CUSTOMER REFERENCE ONLY.</small> <small>UNLESS OTHERWISE SPECIFIED TOLERANCES FOR MILLIMETERS ARE:</small> 0.5 - 8mm ± 0.20mm 8 - 30mm ± 0.40mm 30 - 120mm ± 0.50mm <small>UNLESS OTHERWISE SPECIFIED TOLERANCES FOR INCHES ARE:</small> .020 - .315 = ± 0.007" .315 - 1.180 = ± 0.015" 1.180 - 4.724 = ± 0.020"	DRAWN	GRS	12/28/08	TNC PANEL CRIMP JACK (RG-174/U, 188A/U, 316/U)			
7					CHECKED						
6	FERRULE	COPPER	NICKEL		1	ISSUED					
5	SLEEVE	BRASS	NICKEL		1	SHEET	1 OF 1	PART NO. 122246			
4	INSULATOR	PTFE	NATURAL		1	CAD FILE	C:/122/122246.DWG	DWG. NO. 122246.DWG		REV. A	SIZE A
3	CONTACT PIN	BER. COPPER	GOLD	1							
2	INSULATOR	DELRIN	NATURAL	1							
1	BODY	BRASS	NICKEL	1							

Mouser Electronics

Authorized Distributor

Click to View Pricing, Inventory, Delivery & Lifecycle Information:

[Amphenol:](#)

[122246](#)