



Industrial & Electrical Components

Solid State Relay

Part No.

**HHG1-3
(SSR-DA)**



CHARACTERISTICS

Controlling Voltage	014: 3-14VDC,032: 3-32VDC.	On-off Time	≤10mS
Controlling Current	5-28mA	Leakage Current in off	≤10mA
Make-on Voltage	3VDC	Dielectric Strength	≥2500VAC
Break-off Voltage	1VDC	Insulation Resistance	500M Ω (at 500VDC)
Reverse Voltage	32VDC	Ambient Temp.	-30~80°C
Load Voltage	38:40-440VAC.	Weight	10A≈365g,40A≈460g,80A≈500g,120A≈
Load Current	10A ~120A.	Indicate Methods	Led
Instant Voltage	38: 1000VAC.	Dimensions	106x75x31.5(LxWxH)mm
Voltage Drop in On	<1.6VAC	Wirinig Diagram	See Page-2

ORDERING INFORMATION

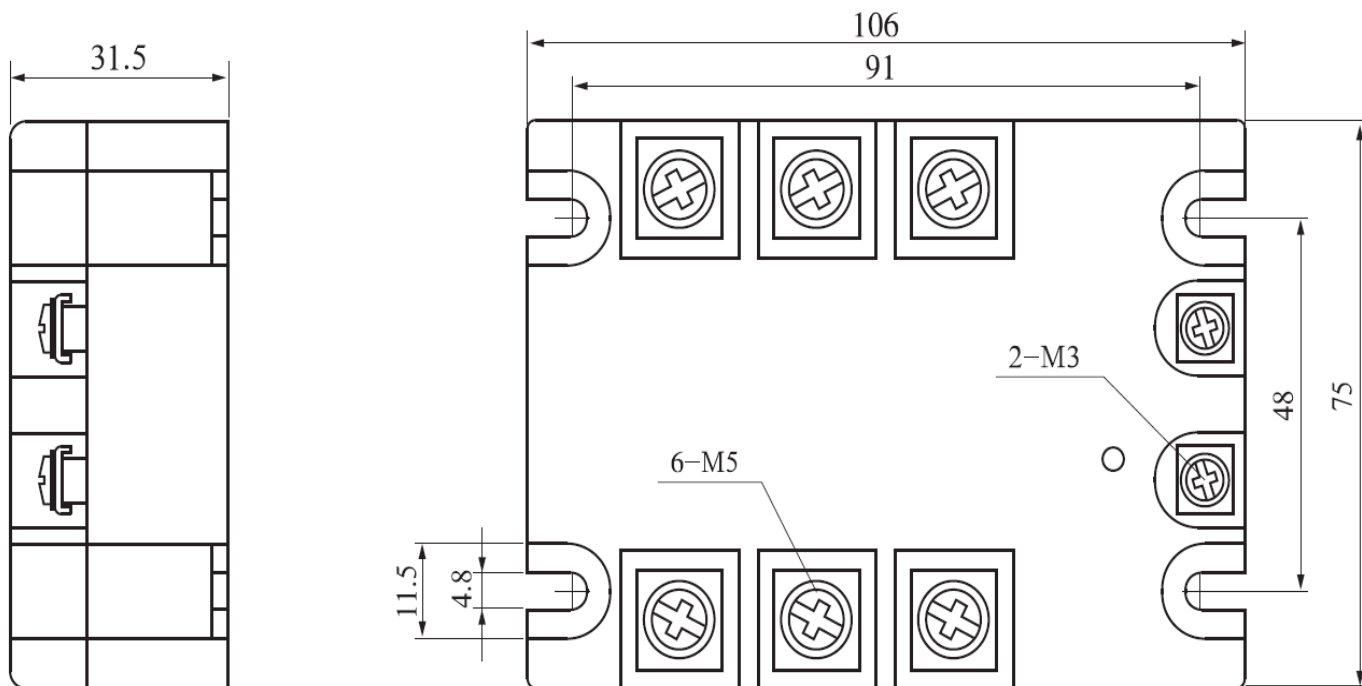
e.g

HHG1-3 / 032F-38 10A

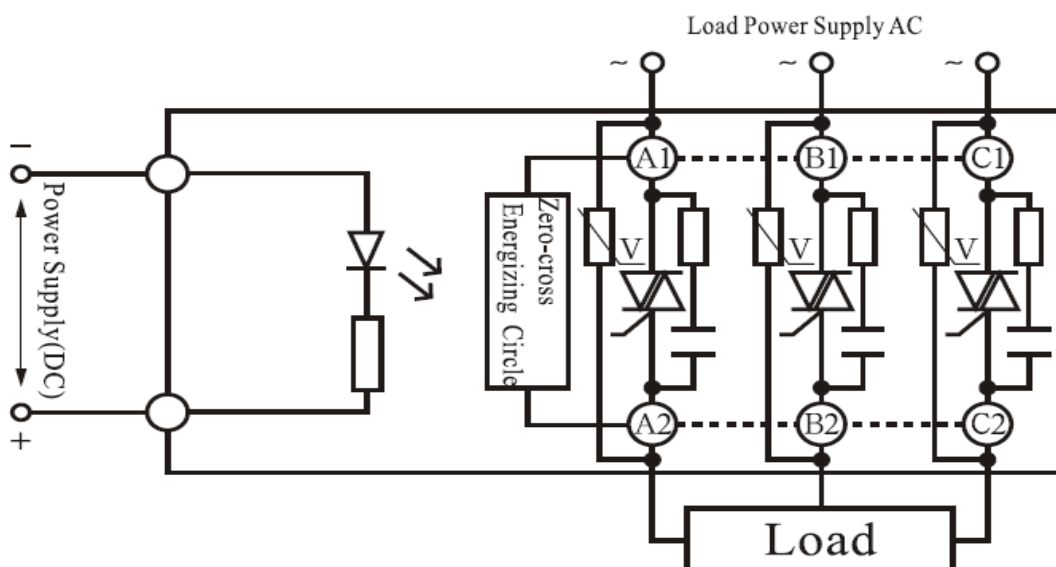
- ① ② ③ ④

- ① Series: HHG1-3 series(SSR-AA)
 ② Controlling Voltage: 014: 3-14VDC, 032: 3-32VDC.
 ③ Load Voltage : 38: 40-440VAC.
 ④ Load current : 10 A, 15A, 20A, 25A, 30A, 40A,60A,80A,100A,120A.

DIMENSIONS (Unit: mm)



WIRING DIAGRAM:



Remarks:

1. Input power must be DC Voltage and Output power must be AC Voltage.
2. Please make correct polarity connection for input and output power.
3. If the SSR with load above 10Amps, it must be mounted onto heat sink. It should be mounted onto fan-cooling or water-cooling if the load above 80Amps.
4. It is zero-cross type.
5. For inductive Load, please mount a Varistor on output terminal, its value is 1.6~1.9 times of loading voltage.