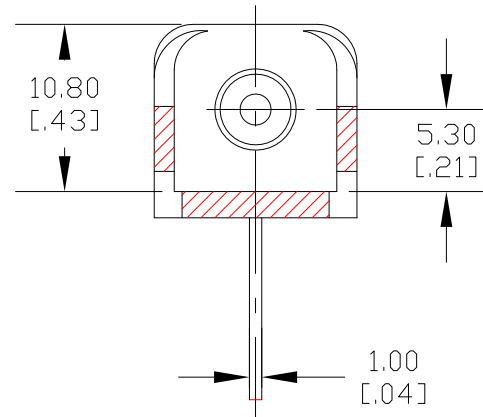
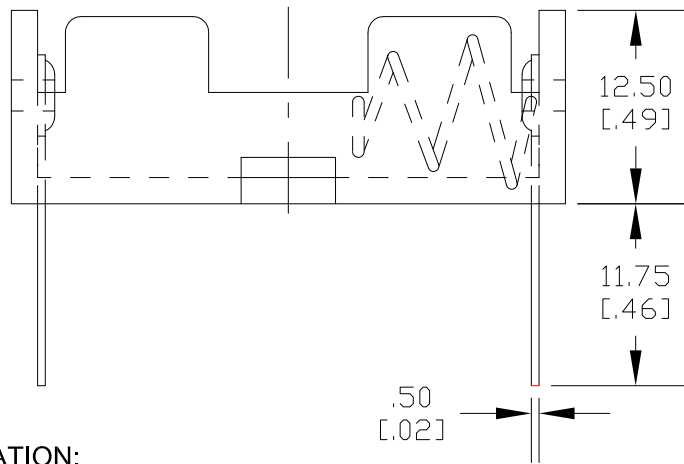
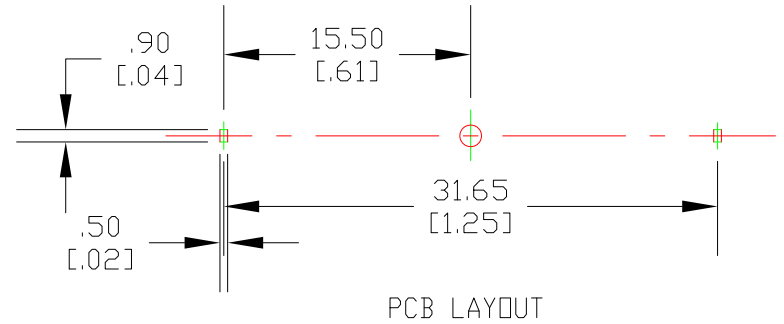
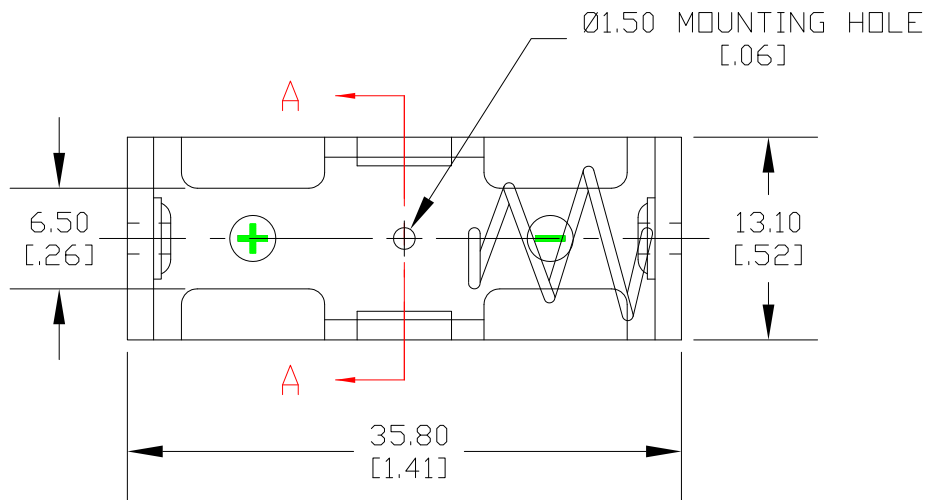



Date	SYM	REVISION RECORD	AUTH	DR.	CK.
10/22/05	A	ADDED 'ROHS COMPLIANT'	T.B.	B.S.	
3/11/06	B	UPDATED MATERIAL SPEC.	T.B.	B.S.	
5/06/06	C	ADDED CONTACT RESI. INFO.	T.B.	B.S.	
9/05/14	D	UPDATED TO RHOS 2 COMPLIANT	T.B.	B.S.	
7/22/17	E	DIM. 1.00 WAS 0.80 UPDATED SPECIFICATION	T.B.	B.S.	



SPECIFICATION:

1. MATERIAL:

HOUSING : BLACK POLYPROPYLENE
 FLAMMABILITY RATING -UL94-HB, UL FILE NO. E216959
 TEMPERATURE RANGE: -10°C to +100°C
 SPRING: SPRING STEEL, NICKEL PLATED.
 PC PINS: STEEL, NICKEL PLATED
 CONTACT RESISTANCE: UNDER 50mΩ FOR +/- CONTACTS PER EIA-540J000
 ROHS 2 COMPLIANT

Tolerance (Inches)	 Memory Protection Devices, Inc 200 Broad Hollow Road, Farmingdale, New York 11735		
Decimal		Scale	Drawn By B.S.
±.5 (.020)			Approved By T.B.
Fractional	Title		
±.8 (.030)	23A BATTERY HOLDER WITH PC PINS		
Angular	Date	Drawing Number	
± 3°	7/22/17	BH23APC	