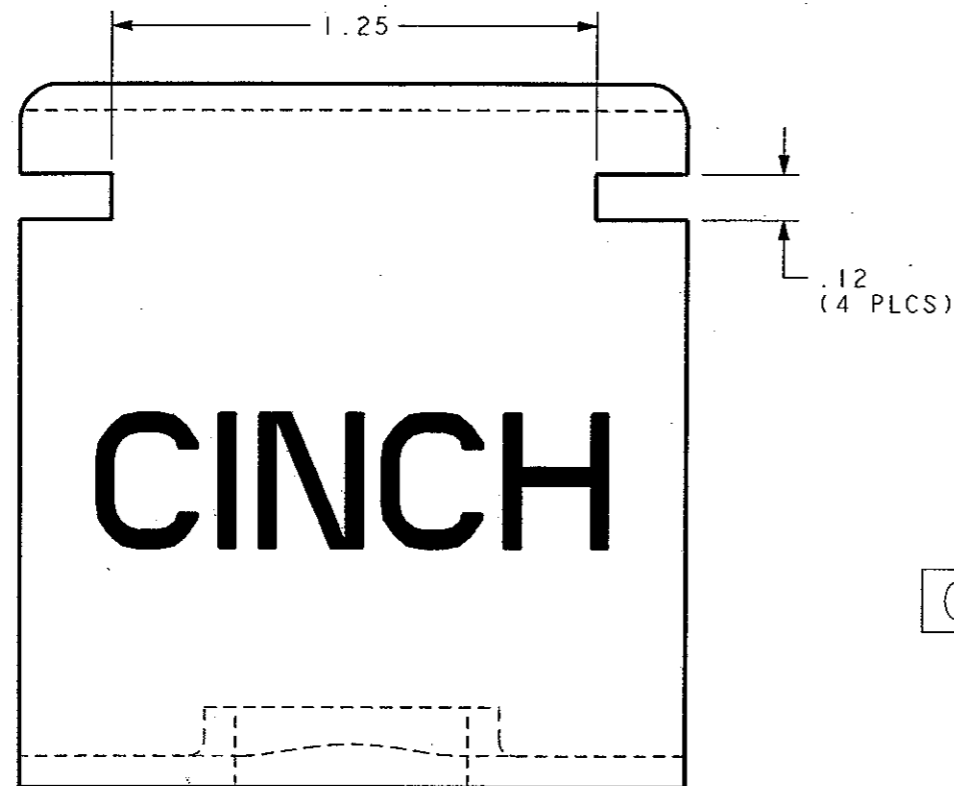
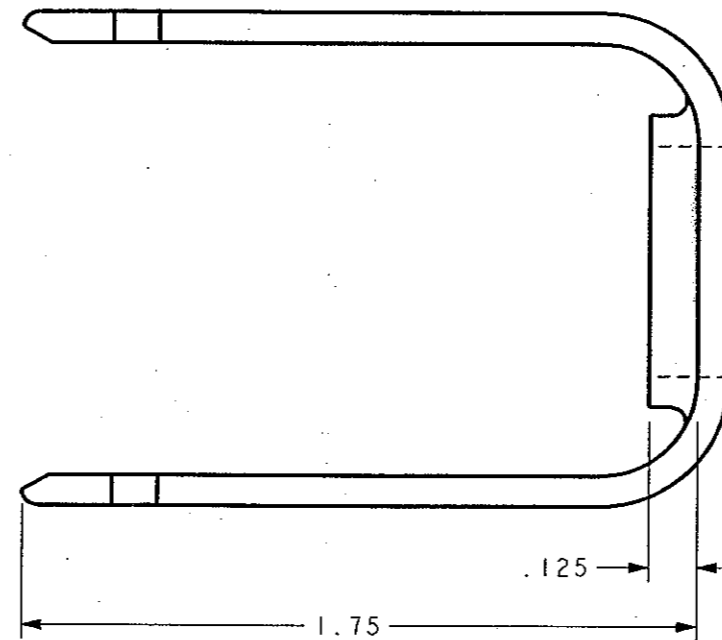
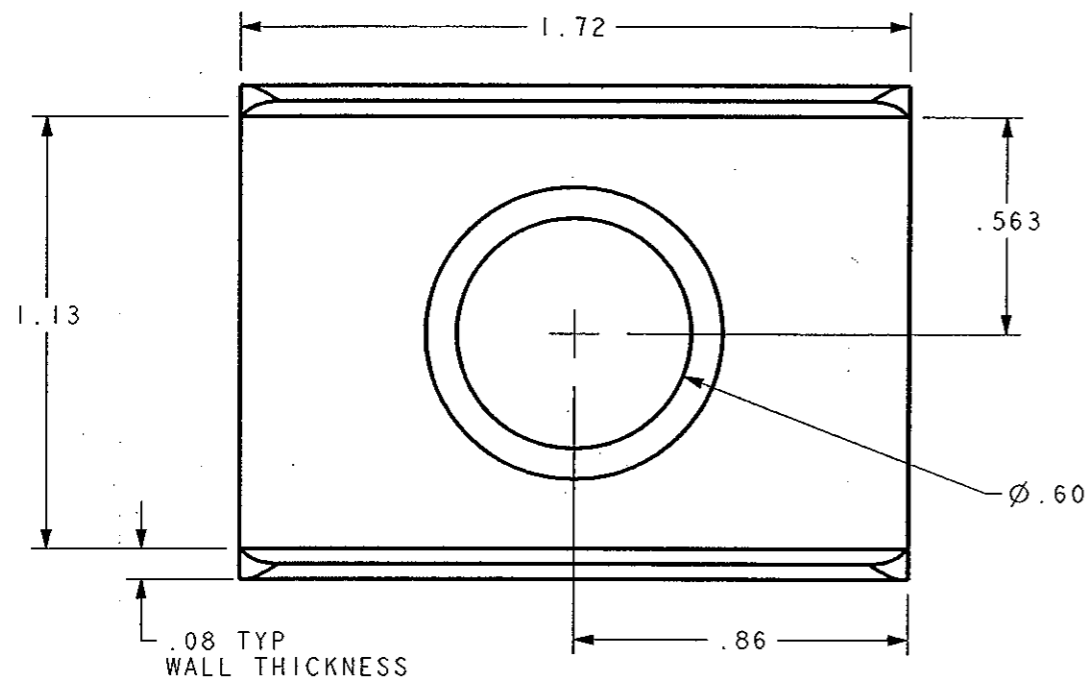


DRAWING REVISIONS

REV	DOCUMENT	APP	DATE
A	DRAWING RELEASE	A.C.	11-07-05



- NOTES: (UNLESS OTHERWISE SPECIFIED)
1. MATERIAL: 30% GLASS FILLED POLYESTER, COLOR IS BLACK.
  2. SNAP-ON MATE WITH 18 WAY PUSH TO SEAT HARNESS CONNECTOR.
  3. TOLERANCES: .XXX ±.010  
.XX ±.025

CINCH PART NUMBER 581 00 00 101

UNITS	ENGLISH	PRO/E	Cinch		1700 FINLEY RD LOMBARD, IL. 60148
DO NOT SCALE DRAWING	DRAWN BY G. Tomczak	DATE 10-31-05	TITLE SPLASH GUARD, 18 SIZE		CONTROL SPEC NUMBER
	DESIGN ENGINEER L. Pacini	9-18-98	MATERIAL SEE NOTE 1		PROJECT NUMBER
	DESIGN ENGINEERING MGR. A. Caines	11-07-05	MATERIAL SPEC NUMBER	FINISH	
THIS DOCUMENT IS THE PROPERTY OF CINCH. NEITHER THIS DOCUMENT NOR ANY OF THE INFORMATION CONTAINED IN IT MAY BE DUPLICATED OR DISCLOSED WITHOUT PRIOR WRITTEN CONSENT OF CINCH.	MFG. ENGINEERING M. Olalde	9-24-98	CAD FILE NUMBER 5810000101S	DRAWING NUMBER 581 00 00 101S	
	QUALITY ASSURANCE R. Schlacks	9-25-98	CAGE IDENT NO. SIZE 71785 B	SCALE 2:1	SHEET 1 OF 1

# Mouser Electronics

Authorized Distributor

Click to View Pricing, Inventory, Delivery & Lifecycle Information:

[Cinch Connectivity Solutions:](#)

[5810000101](#)