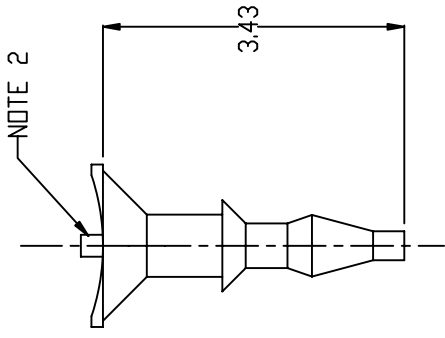
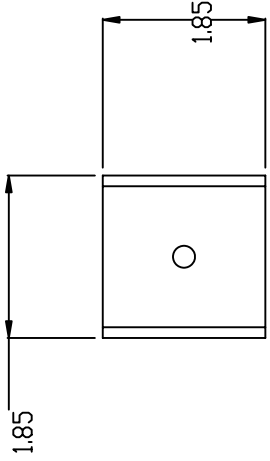


1 | 2

3

4

PRODUCT NO.
65762-001



NOTES:

1. PRESS PLUG INTO PIN LEAD-IN OF HOUSING CAVITY AND BREAK OFF CARRIER.
2. 0.010/0.254 MAX. GATE PROTRUSION WHEN BROKEN FROM CARRIER.
3. MATERIAL: NYLON
4. MOLDED IN GROUPS OF 10 ATTACHED TO CARRIER.
5. THE P/N WITH "LF" SUFFIX IS LEAD FREE PART NUMBER;
6. THE PACKAGING FOR THE LEAD FREE P/N MEETS GS-14-920 SPECIFICATION;
7. FOR LEAD FREE P/N, THE PRODUCT MEETS EUROPEAN UNION DIRECTIVES AND OTHER COUNTRYREGULATION AS DESCRIBED IN GS-22-008;
8. FOR LEAD FREE P/N, THE PART WILL WITHSTAND EXPOSURE TO 260 DEGREE C, FOR 10 SECONDS IN A WAVE SOLDER APPLICATION.

Tous droits strictement reserves. Reproduction ou communication a des tiers interdite
 sous quelque forme que ce soit sans autorisation ecrite du proprietaire.
 Property of FCI. All rights reserved. Reproduction or issue to third parties in any form whatever is not permitted without written authority from the proprietor.



| part code NYLON TYPE 6-6 WHITE | | tolerances unless otherwise specified | | CUSTOMER | | www.fciconnect.com | |
|-----------------------------------|----------------|--|----------|--------------------------|-------------|--------------------|-------------------------|
| tr | ecm no. | dr | date | linear | angles | projection | www |
| A | ADD LATCH | DH | 2-4-76 | .XX ± .01 / .X±.2 | | CDP | FCI |
| B | APPROVED DEV | DAI | 2-10-76 | .XXX ± .005 / .XX±.13 | | projection | QUICKIE POLARIZING PLUG |
| C | V00806 | DAI | 4-18-00 | .XXX ± .0020 / .XXX±.051 | | projection | |
| D | N05-0329 | DT | 12/09/05 | 0° ±2° | | INCH/MM | |
| | | | | DH | 2-18-91 | scale | product family QUICKIE |
| | | | | engr | TEIKENBORDE | 12:1 | size A |
| | | | | chr | MMLTZE | | code NAN |
| | | | | oppd | F.WILDING | | sheet 1 of 1 |
| sheet index | revision sheet | D | I | | | | |

1 | 2

3

4

cage code 22526

Pro/E