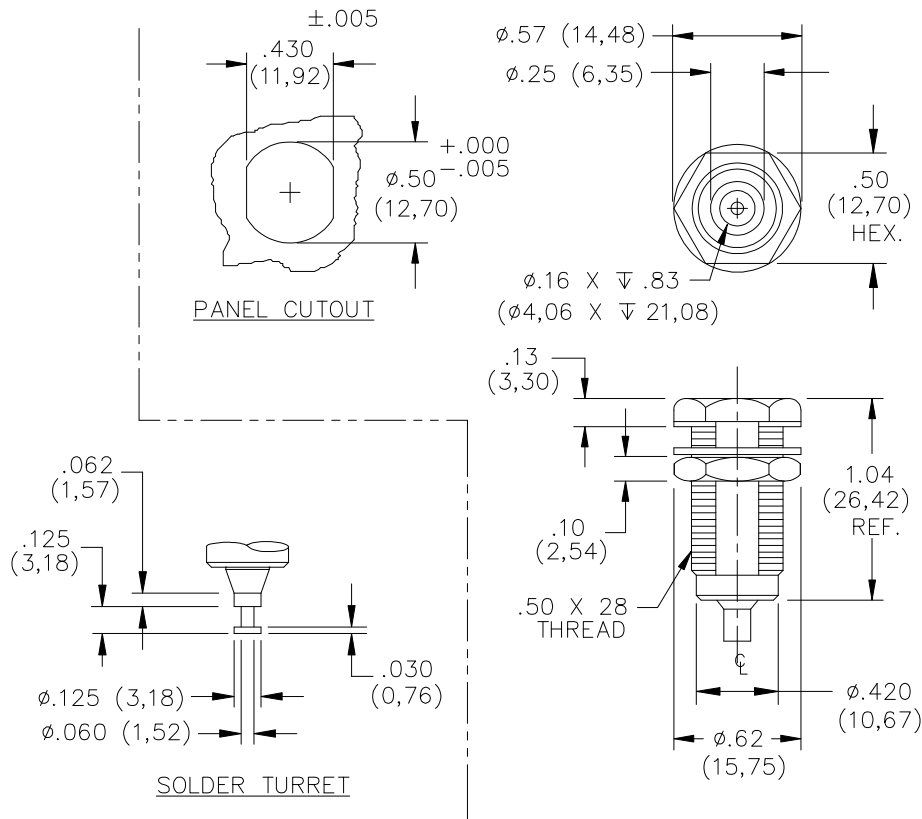


## Model 6387 Banana Jack, Panel Mount, 4mm For Sheathed Banana Plugs



Recommended Maximum Panel Thickness: .57" (15mm)

### FEATURES:

- Banana Jack mates to all popular shrouded and unshrouded DMM plugs
- Meets IEC 1010-2-031 CAT III 1000V

### MATERIALS:

Banana Jack: Brass, Tin-plated

Terminal Type: Solder Turret

Insulation: Nylon, see ordering information for color

Nut: Brass, Nickel Plated

### RATINGS:

Operating Voltage: 1000 VRMS Max.

Current: 15 Amperes Max.

### ORDERING INFORMATION:

Model 6387-ST-T-\*

\* = Color, available in -0 Black, -2 Red

Sold in packs of 10.

All dimensions are in inches. Tolerances (except noted): .xx =  $\pm .02$ " (.51 mm), .xxx =  $\pm .005$ " (.127 mm).

All specifications are to the latest revisions. Specifications are subject to change without notice.

Registered trademarks are the property of their respective companies.

USA: Sales: 800-490-2361

Europe: 31-(0) 40 2675 150

Fax: 425-446-5844

International: 425-446-5500

Technical Support: [technicalsupport@pomonatest.com](mailto:technicalsupport@pomonatest.com)

Where to Buy: [www.pomonaelectronics.com](http://www.pomonaelectronics.com)

Rev: 101  
D1094643