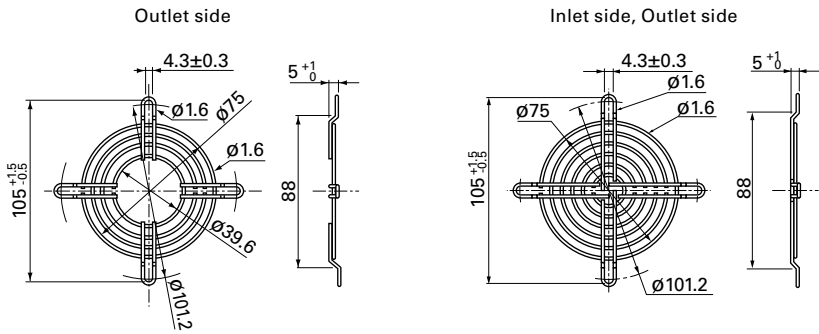


80 mm sq. type

Model no.	Surface treatment	Mass (g)
109-049C	Nickel-chrome plating (silver)	17

Model no.	Surface treatment	Mass (g)
109-049E	Nickel-chrome plating (silver)	21
109-049H	Cation electropainting (black)	



Mounting example

Axial fan

