

CF Fuse Rated 58V



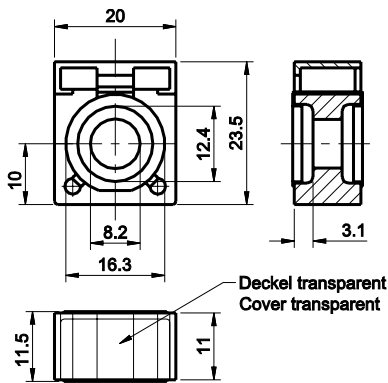
Bolt-down Fuses



Main Fuse for mounting with battery clamp on the battery pole. Voltage rating 58 VDC, Current rating 50A - 300A. With transparent cover for visual inspection of melting element.

Hauptsicherung zur Montage an der Batterieklemme. Nennspannung 58 VDC, Nennstrom 50A bis 300A. Transparente Abdeckung für visuelle Überprüfung des Schmelzelements.

Dimensions in mm / Maße in mm



Specifications

ISO 8820-6
DIN 72581-6
UL 248 Special Purpose Fuses

cULus Recognized:
Insulating body:
Cover:

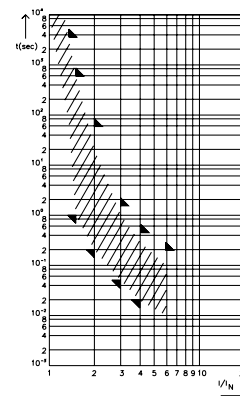
File No. E211637
Out of ceramic
Out of thermoplast (UL 94-V0, heat resistant)
Visible melting-element
2,000A @58 VDC

Interrupting Rating:
Packaging:

Series Serien	Pack Size
155.0892.xxx1	100

Pre-arcing Time - limits / Schmelzeit-Grenzwerte DIN

FI = 1.25 (max. operating current:
0.8 x I_{rat} at 23°C)



Time-Current Characteristics / Schmelzeit-Grenzwerte

% of Rating % des Nennstromes	Opening Time Min / Max (s) Schmelzcharakteristik Min / Max (s)
100	360,000 s / -
135	- / 3,600 s
150	1 s / 600 s
200	0.200 s / 60 s
300	0.050 s / 1.5 s
400	0.020 s / 0.50 s
600	- / 0.20 s

Part Number Artikel-Nr.	Current Rating Nennstrom	Typ. Voltage Drop Typ. Spannungsfall	Cold Resistance Kaltwiderstand	I ² t
155.0892.5501	50 A	100 mV	1.20 mΩ	1,900 A ² s
155.0892.5751	75 A	90 mV	0.60 mΩ	12,000 A ² s
155.0892.6101	100 A	80 mV	0.60 mΩ	14,000 A ² s
155.0892.6121	125 A	75 mV	0.45 mΩ	51,000 A ² s
155.0892.6151	150 A	70 mV	0.35 mΩ	63,800 A ² s
155.0892.6171	175 A	70 mV	0.25 mΩ	120,000 A ² s
155.0892.6201	200 A	65 mV	0.25 mΩ	172,800 A ² s
155.0892.6251	250 A	70 mV	0.20 mΩ	330,000 A ² s
155.0892.6301	300 A	70 mV	0.15 mΩ	372,000 A ² s

Insert CF8-Fuse links only in conjunction with the insulating nuts, see Section "Fuse Holders." Corresponding battery clamp see Section "Fuse Holders."