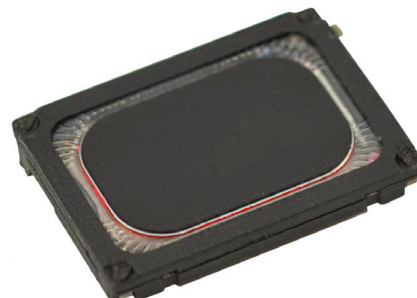


MODEL: CMS-18138A-SP | **DESCRIPTION:** SPEAKER**FEATURES**

- micro-speaker
- small footprint
- low profile
- spring leads

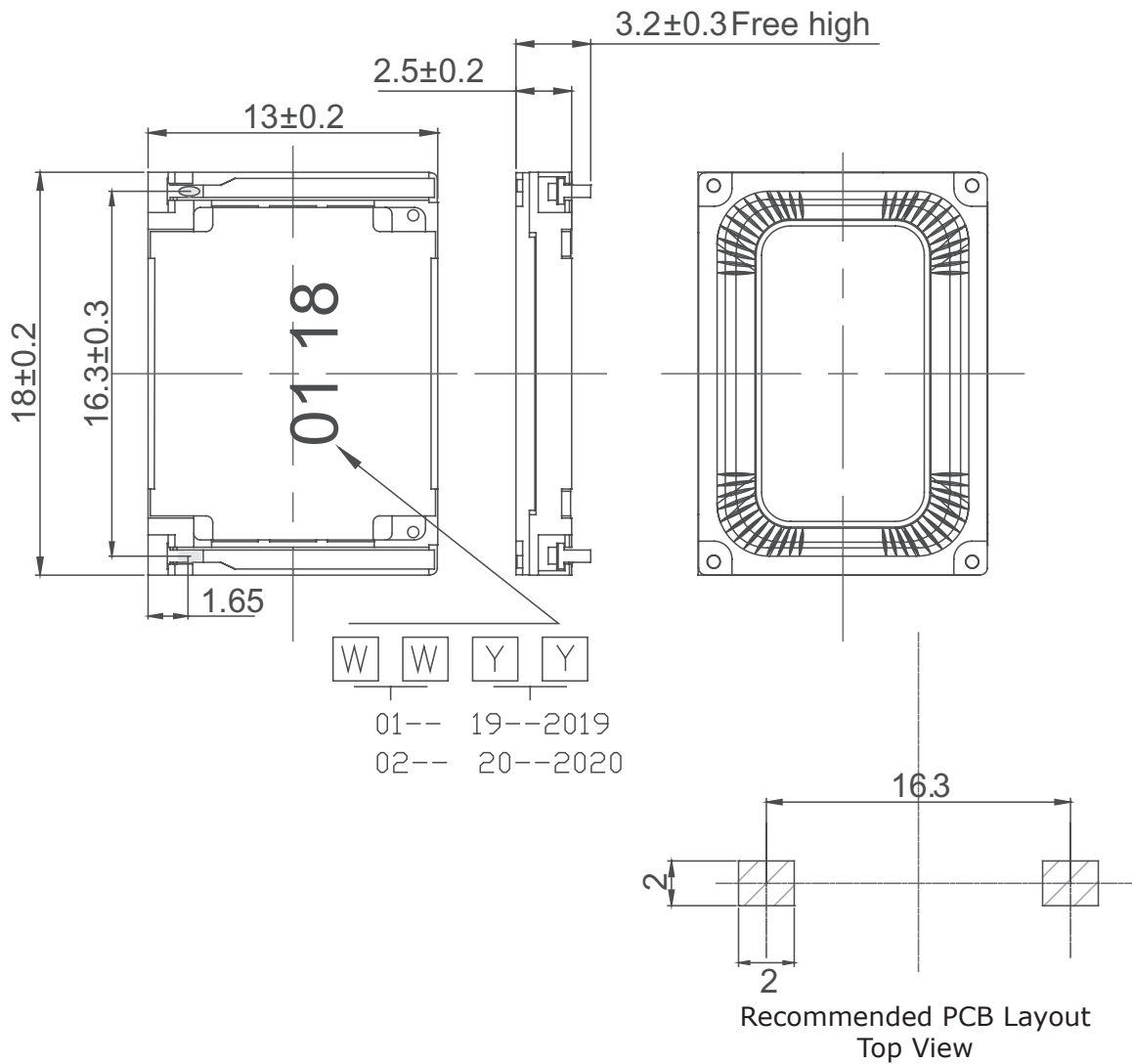
**SPECIFICATIONS**

parameter	conditions/description	min	typ	max	units
input power	maximum power: IEC-60268-5, filter 60s on/120s off, 10 cycles at room temp in 1 cc closed box		0.8	1.0	W
impedance	at 2.0 kHz, 1.0 V	6.8	8	9.2	Ω
resonant frequency (Fo)	at 1.0 V at 1.0 V in 1 cc closed box	400 850	500 1,000	600 1,150	Hz Hz
frequency response	output SPL ± 10 dB	Fo		10,000	Hz
sound pressure level	at 0.8 W, 0.1 m, at 2.0 kHz in 1 cc closed box	89	92	95	dB
distortion	at 1.0 kHz, 0.8 W			10	%
buzz, rattle, etc.	must be normal at sine wave between Fo ~ 20 kHz in 1 cc closed box		2.53		V
polarity	cone will move forward with positive dc current to "+" terminal				
dimensions	18 x 13 x 2.5				mm
magnet	Nd-Fe-B				
material	PPA				
cone material	mylar				
terminal	spring contact				
weight			1.8		g
operating temperature		-20		75	$^{\circ}\text{C}$
storage temperature		-30		85	$^{\circ}\text{C}$
RoHS	yes				

Notes: 1. All specifications measured at 5~35 $^{\circ}\text{C}$, humidity at 45~85%, under 86~106 kPa pressure, unless otherwise noted.

MECHANICAL DRAWING

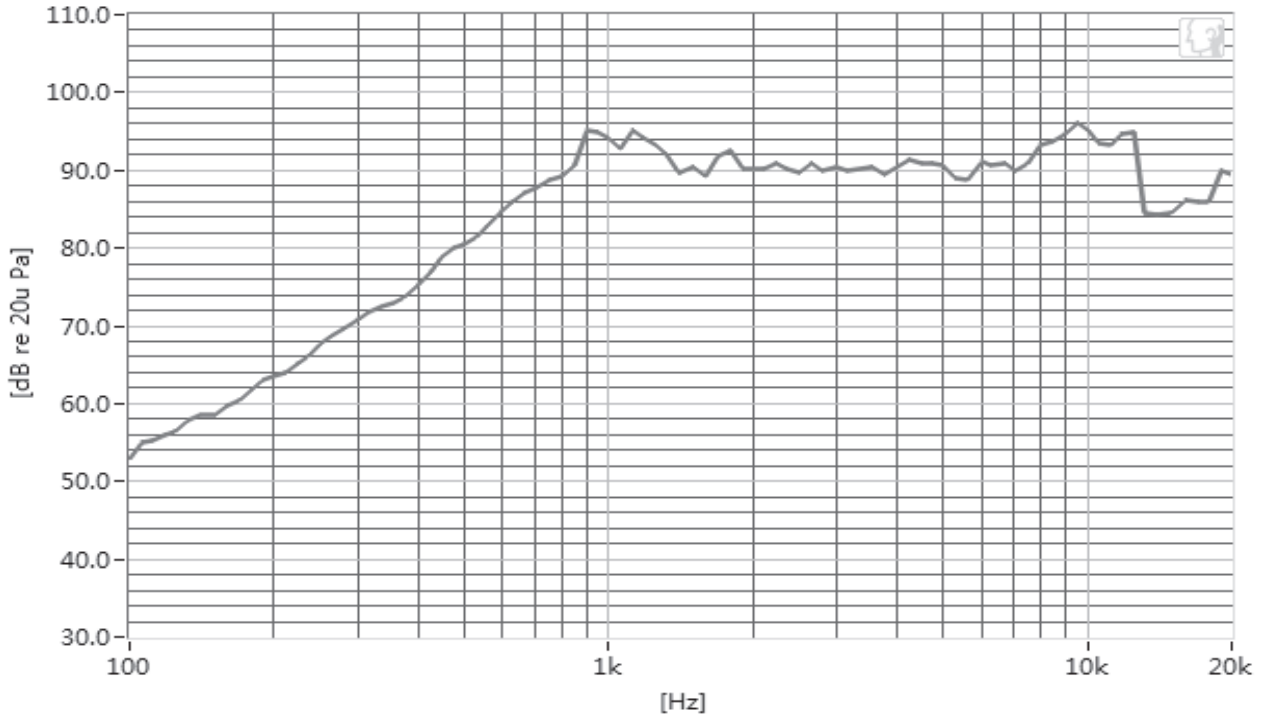
units: mm
tolerance: ± 0.2 mm



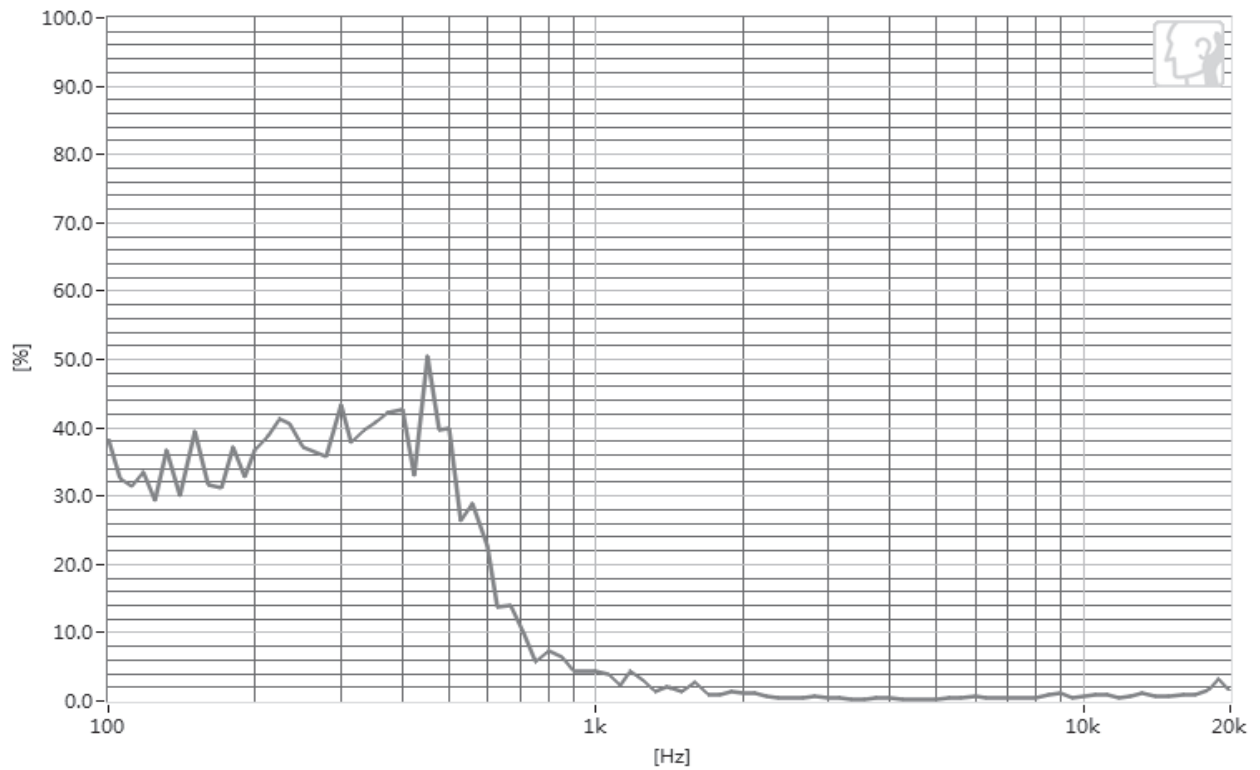
Note: 1. Maximum compression force between front frame and back frame & yoke is 5 N.

RESPONSE CURVES

Frequency Response Curve



Total Harmonic Distortion Curve

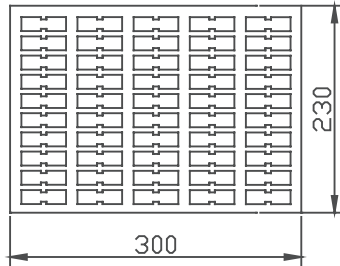


PACKAGING

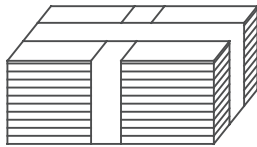
units: mm

Tray Size: 300 x 230 x 11.5 mm
 Carton Size: 590 x 350 x 290 mm
 Tray QTY: 100 pcs per tray
 Carton QTY: 5,000 pcs per carton

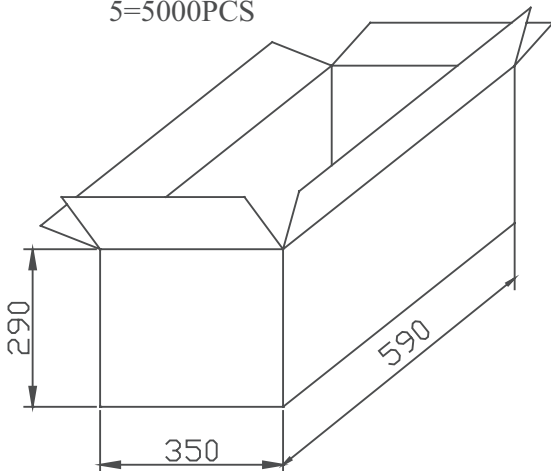
100PCS



100 ×
10 = 1000PCS



1000 ×
5 = 5000PCS



Lot No.	XXXXXXXXXXXX
Part No.	CUI Inv#. CUI Part#.
Quantity.	XXXX Pcs
Date:	DD MM YY
MADE IN CHINA	
CUI DEVICES	

RoHs Compliant

REVISION HISTORY

rev.	description	date
1.0	initial release	07/06/2017
1.01	spring contacts changed spacing	05/07/2019
1.02	modified spring terminals and cover, brand update	11/14/2019

The revision history provided is for informational purposes only and is believed to be accurate.

CUI DEVICES

CUI Devices offers a one (1) year limited warranty. Complete warranty information is listed on our website.

CUI Devices reserves the right to make changes to the product at any time without notice. Information provided by CUI Devices is believed to be accurate and reliable. However, no responsibility is assumed by CUI Devices for its use, nor for any infringements of patents or other rights of third parties which may result from its use.

CUI Devices products are not authorized or warranted for use as critical components in equipment that requires an extremely high level of reliability. A critical component is any component of a life support device or system whose failure to perform can be reasonably expected to cause the failure of the life support device or system, or to affect its safety or effectiveness.