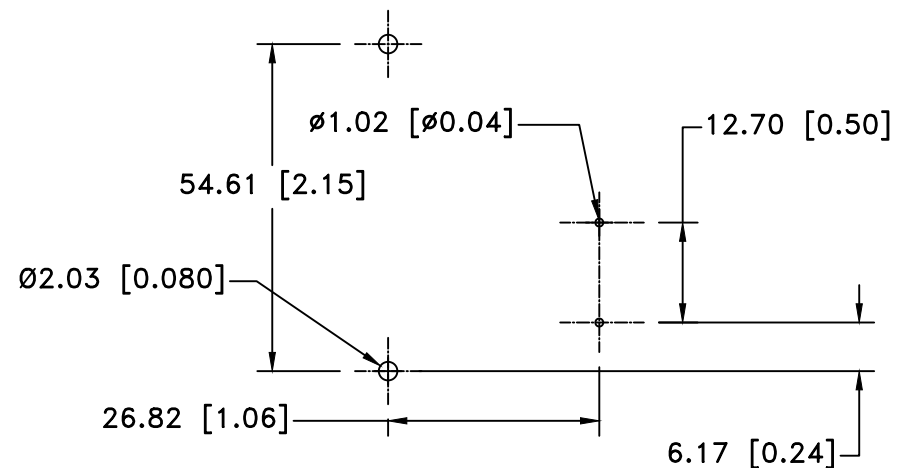
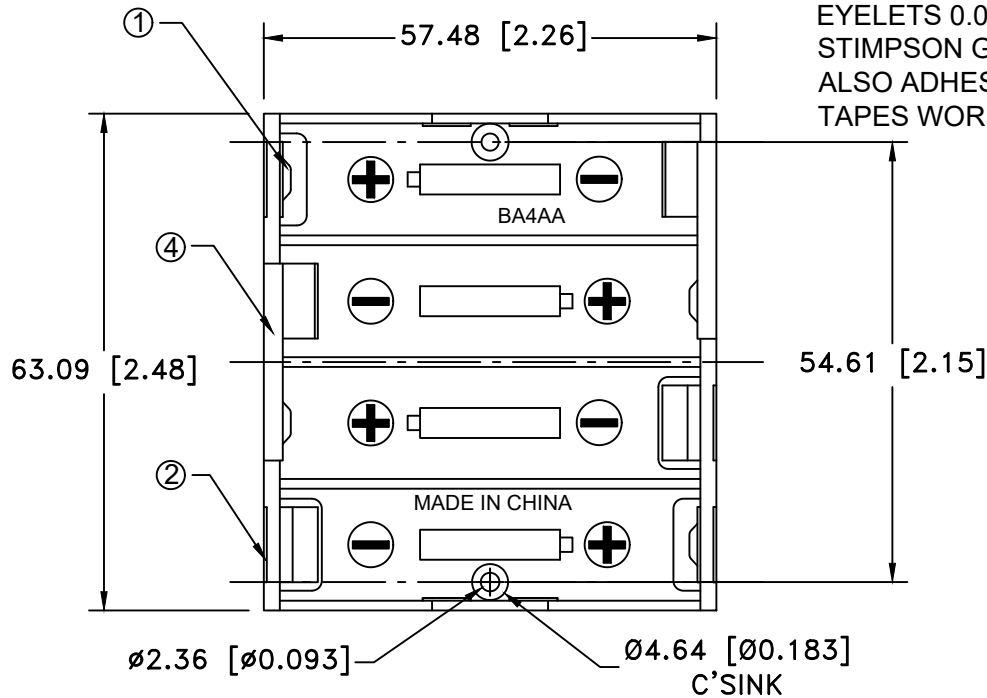


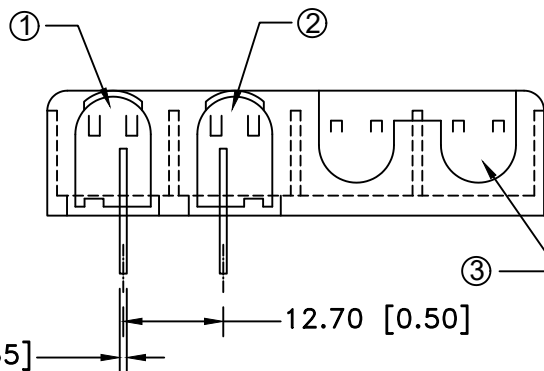
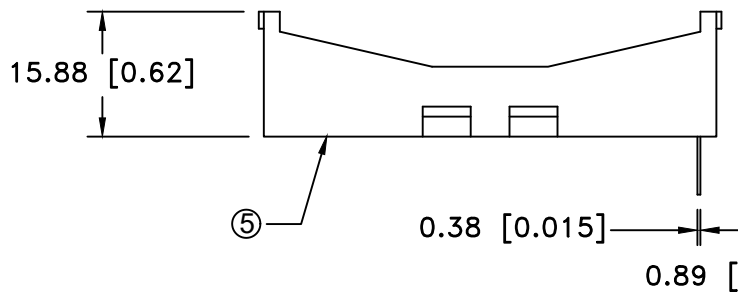
MOUNTING INSTRUCTION:

USE 2-56 MACHINE SCREWS OR EYELETS 0.089" OD BY 0.15" FLANGE STIMPSON GS-3 SERIES OR EQUIVALENT. ALSO ADHESIVES AND DOUBLE SIDED TAPES WORK WELL.

Date	SYM	REVISION RECORD	AUTH	DR.	CK.
10/09/09	D	Added specification.	T.B.	B.S.	
10/17/14	E	Updated to ROHS 2 Compliant	T.B.	B.S.	
07/01/16	F	Changed contact material to 301 Stainless Steel	T.B.	B.S.	
05/11/18	G	Dim. 2.03 was 2.36	T.B.	B.S.	
03/06/19	H	Updated to "ROHS Compliant"	T.B.	B.S.	




PCB LAYOUT



SPECIFICATION:

- HOUSING : BLACK POLYPROPYLENE
 FLAMMABILITY RATING -UL94-HB, UL FILE NO. E216959
 TEMPERATURE RANGE: -10°C to +100°C
 CONTACTS: NICKEL PLATED STAINLESS STEEL
 CONTACT RESISTANCE: UNDER 50mΩ FOR +/- CONTACTS PER EIA-540J000
 ROHS COMPLIANT

ITEM NO.	PART NO.	MATL. SPECIFICATION	QTY.
1	ABG-194	POSITIVE CONTACT, 301 STAINLESS STEEL, NICKEL PLTD.	2
2	ABG-195	NEGATIVE CONTACT, 301 STAINLESS STEEL, NICKEL PLTD.	2
3	ABG-196-1	RIGHT NEG./POS. CONTACT, 301 STAINLESS STEEL, NICKEL PLTD.	1
4	ABG-196-2	LEFT NEG./POS. CONTACT, 301 STAINLESS STEEL, NICKEL PLTD.	1
5	ABG-187	BLACK POLYPROPYLENE HOLDER, UL94-HB	1

Tolerance (Except as noted)	 Memory Protection Devices, Inc 200 Broad Hollow Road, Farmingdale, New York 11735	
	decimal	Scale
±.5 (.020)		Drawn By B.S.
Fractional	Title	
± .8 (.030)	FOUR "AA" CELL SPRINGLESS HOLDER	
Angular	Date	Drawing Number
± 3°	03/06/19	BA4AAPC